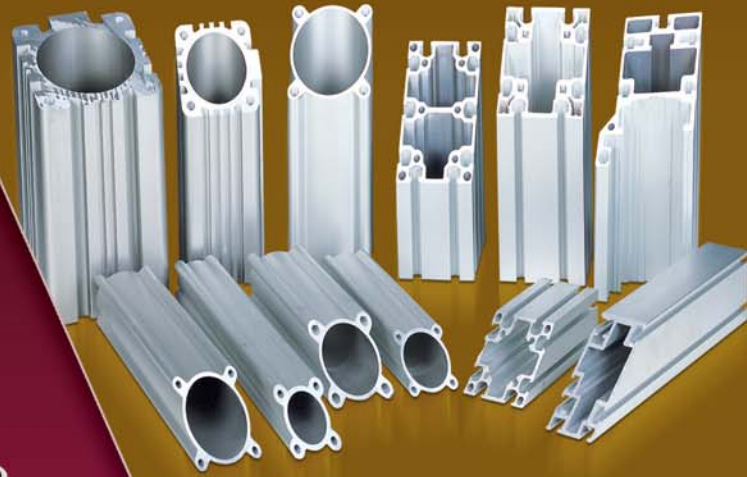
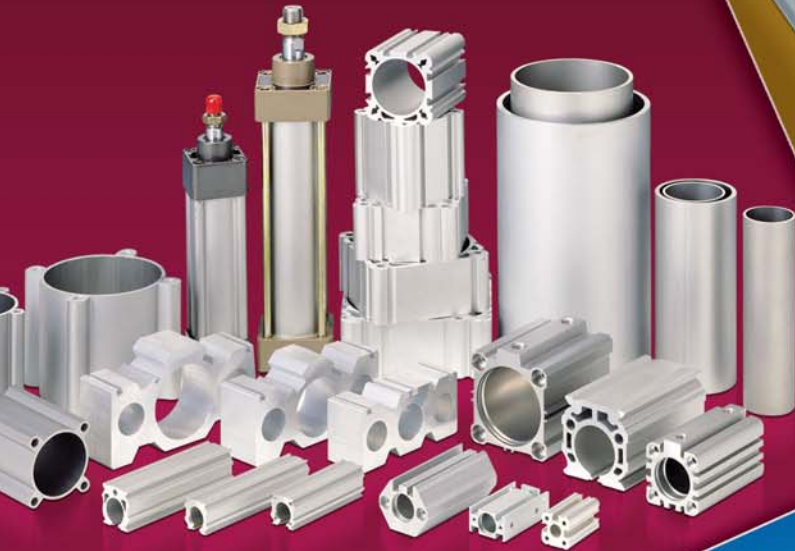


*SPECIALIST IN
ALUMINUM EXTRUSIONS*



DAEYEONG PROFILE CO.

*FORERUNNER OF
ALUMINUM EXTRUSION &
DRAWING PRODUCTS*



*BASIC
MECHANIC ELEMENTS*

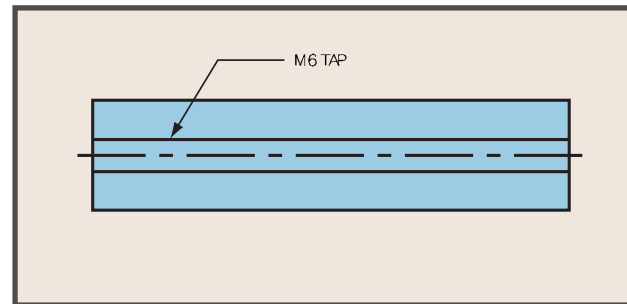
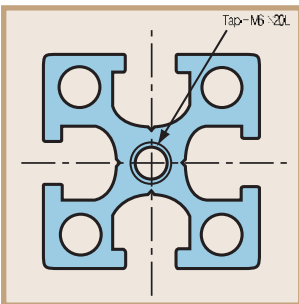
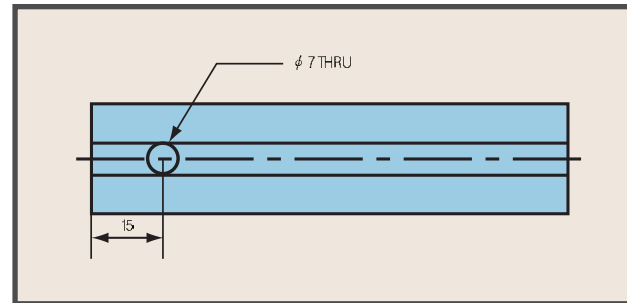
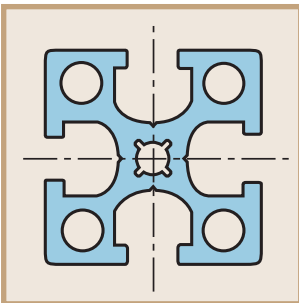


PROFILE 가공

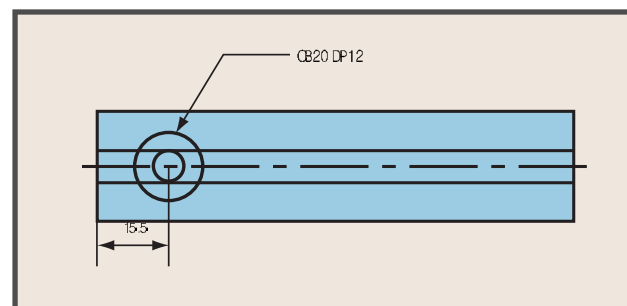
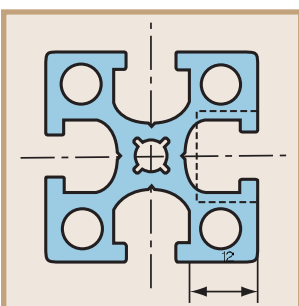
Frame의 외관에 Bracket를 돌출시키지 않고 조립하고자 하실 때는 아래의 기본적인 가공이 필요합니다. 그리고 당사에 Frame을 주문시, 가공까지(절단, TAP, HOLE) 의뢰하실 경우에는 별도의 가공비를 책정해서 가공하여 드립니다.

PROFILE "30" SERIES

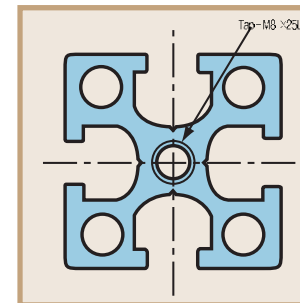
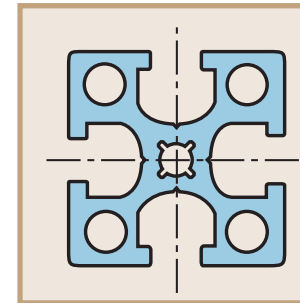
• JOINT CLIP (DJC-6) 조립가공



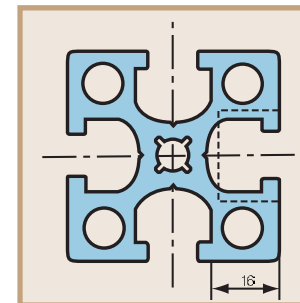
- UNIVERSAL JOINT (DUJ 306) 조립 가공
- BUTT JOINT (DBJ 306) 조립 가공



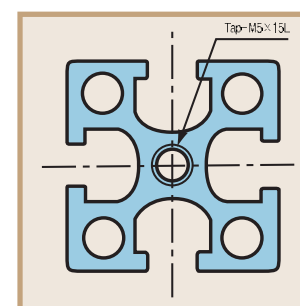
PROFILE "40" SERIES



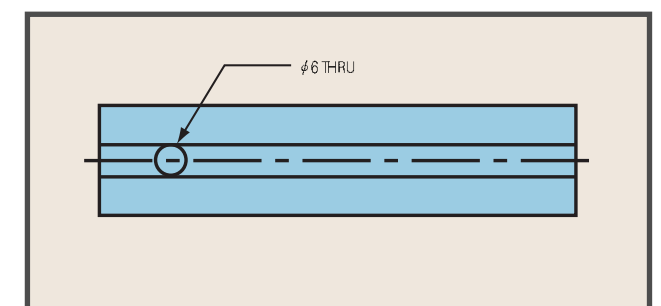
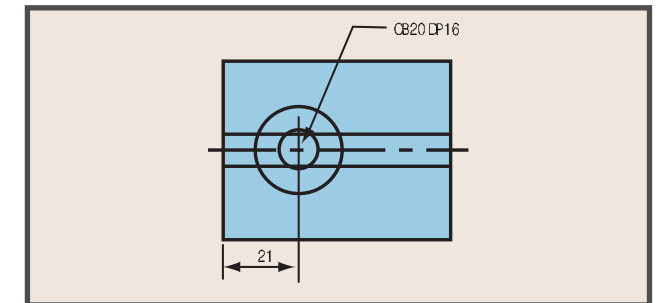
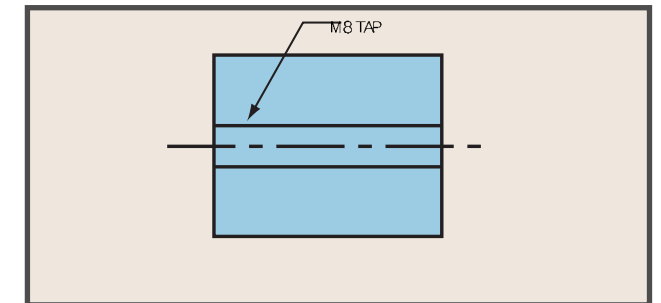
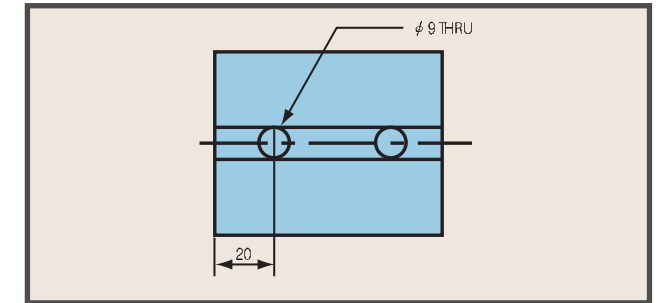
- UNIVERSAL JOINT (DUJ 408) 조립 가공
- BUTT JOINT (DBJ 408) 조립 가공



PROFILE "20" SERIES



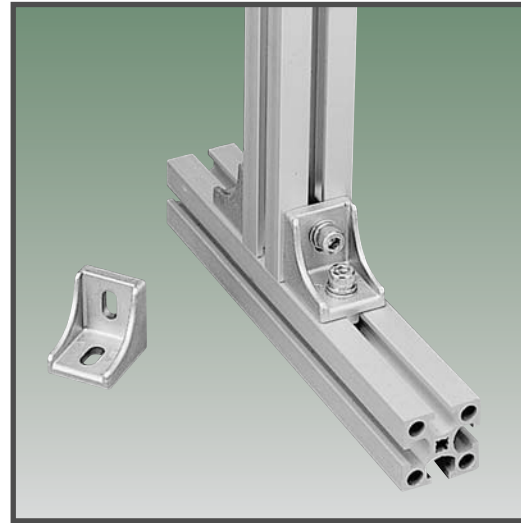
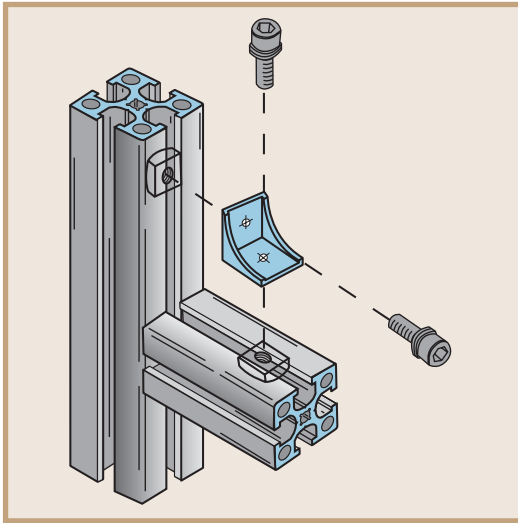
• JOINT CLIP (DJC 408) 조립시



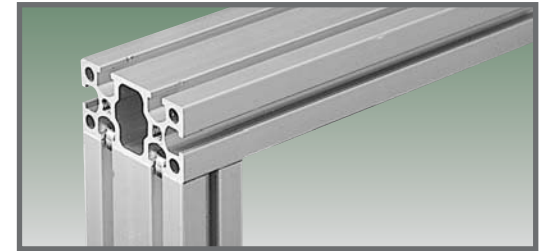
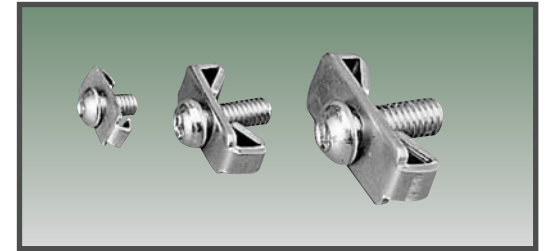
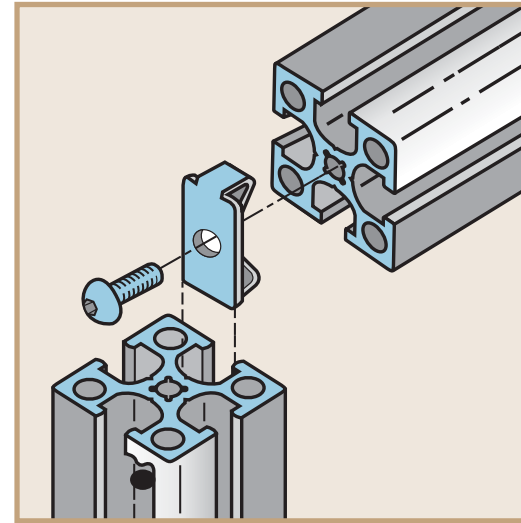
• JOINT CLIP (DJC-5) 조립가공

당사의 FRAME은 다음과 같이 다양한 조립방법이 있습니다.

AL DIECASTING BRACKET 사용 (FRAME에 가공이 필요없습니다.)

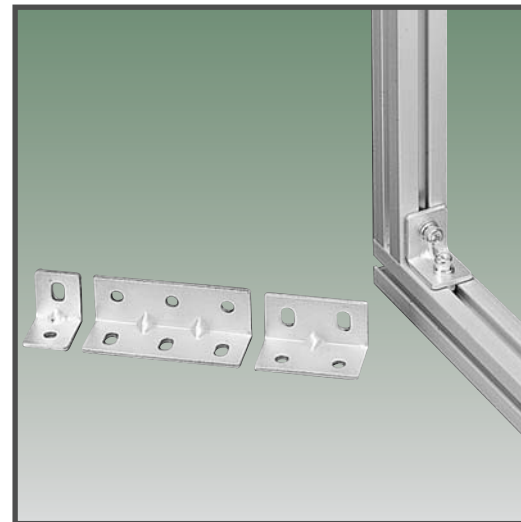
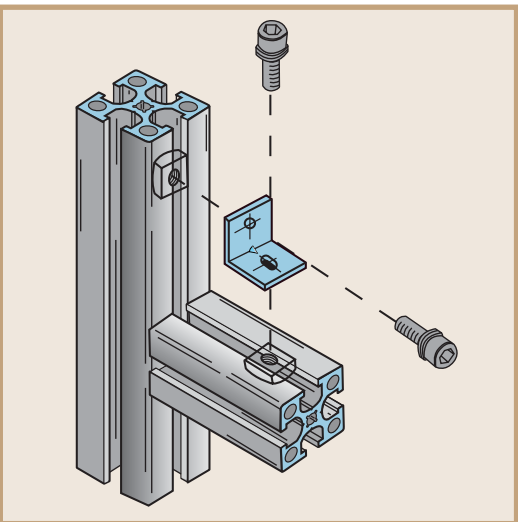


JOINT CLIP 사용

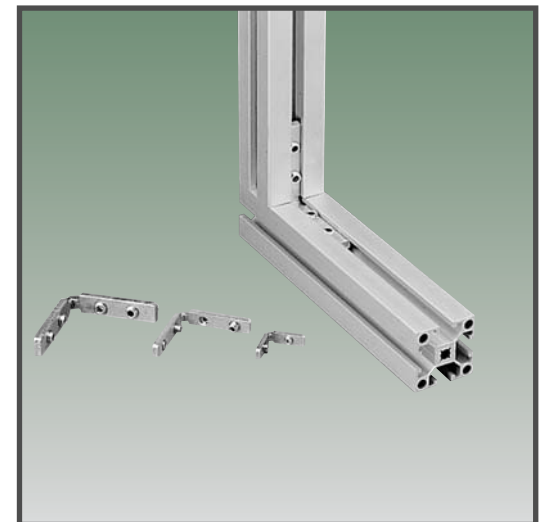
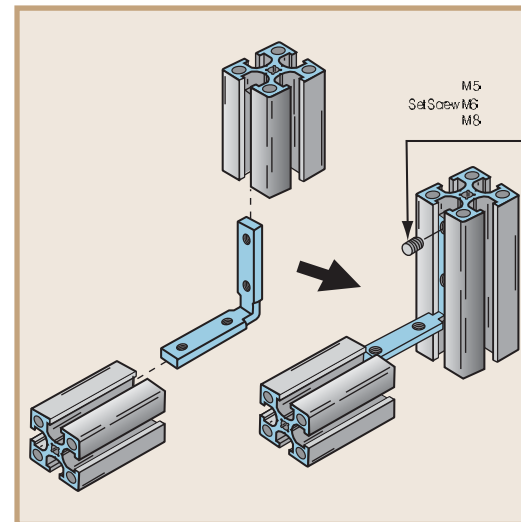


※ FRAME의 내면에 CLIP 과 BOLT가 삽입되므로 외관이 깨끗합니다.

STEEL BRACKET 사용



INNER BRACKET 사용



※ 경하중의 구조물에 조립시 가공이 전혀없고 FRAME 밖으로 BRACKET가 돌출되지 않아 외관이 깨끗하고, 조립이 아주 간단합니다.

PROFILE 적용사례

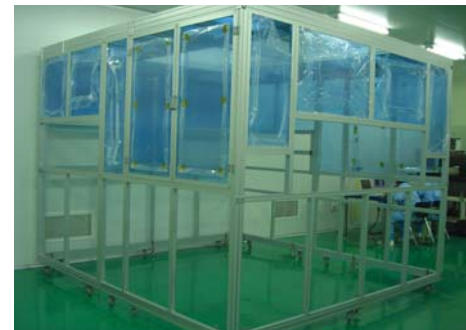
Accessories Case



Bulletproof Partition



Equipment Cover



Equipment Cover



Canopy



Clean Booth



Frame & Cover



Informationdesk



Clean Booth



Clean Booth



Lab Equipment



Laser Equipment



Clean Booth



Convever



LCD Equipment



Optical Equipment



PROFILE 적용사례

Partition



Partition



Partition



Sliding Rack



Structure



Structure



Work Table



Tool Box

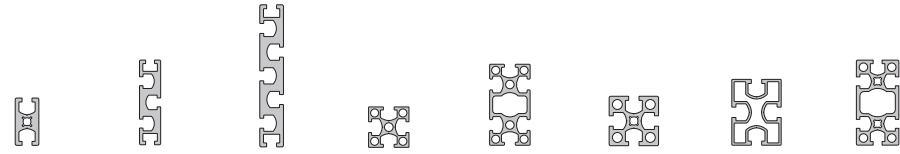


CONTENTS

Profile	021 ~ 101
Angle	102 ~ 108
Duct	109 ~ 116
Profile Accessory	117 ~ 171
Conveyor Frame	172 ~ 190
Air Supply System	191 ~ 195
AL Tube	196 ~ 202
Technical Data	203 ~ 208
Pipe rack system	209 ~ 232

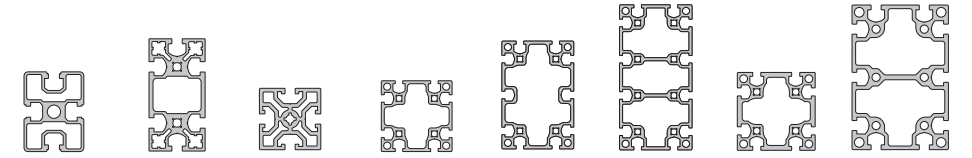
SUMMARY

15 X 30 15 X 60 15 X 90 20 X 20 20 X 40 30 X 30 30 X 40 30 X 60



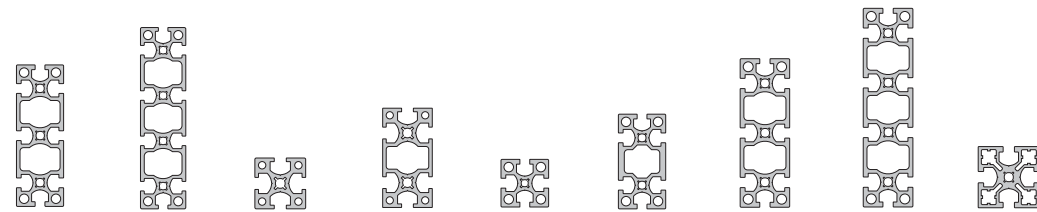
Item NO.	DF 1530	DF 1560	DF 1590	DF 2020	DF 2040	DF 3030	DF 3040	DF 3060
Material	A6N01S-T5	A6N01S-T5	A6N01S-T5	A6N01S-T5	A6N01S-T5	A6N01S-T5	A6N01S-T5	A6N01S-T5
Weight	0,67kg/m	1,3kg/m	2,02kg/m	0,39kg/m	0,74kg/m	1,07kg/m	0,88kg/m	1,8kg/m
T Groove								
Page	22	23	24	25	26	27	28	29

45 X 60 45 X 90 50 X 50 60 X 60 60 X 90 60 X 120 80 X 80 80 X 120



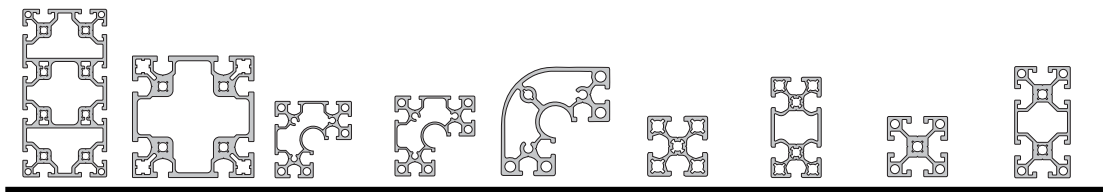
Item NO.	DF 4560	DF 4590	DF 5050	DF 6060	DF6 090	DF6 0120	DF 8080	DF8 0120
Material	A6N01S-T5	A6N01S-T5	A6N01S-T5	A6N01S-T5	A6N01S-T5	A6N01S-T5	A6N01S-T5	A6N01S-T5
Weight	2,26kg/m	3,76kg/m	3,01kg/m	2,72kg/m	3,60kg/m	4,679kg/m	5,24kg/m	6,87kg/m
T Groove								
Page	39	40	41	42	43	44	45	46

30 X 90 30 X 120 35 X 35 35 X 70 40 X 40 40 X 80 40 X 120 40 X 160 45 X 45



DF 3090	DF 30120	DF 3535	DF 3570	DF 4040	DF 4080	DF 40120	DF 40160	DF 4545
A6N01S-T5	A6N01S-T5	A6N01S-T5	A6N01S-T5	A6N01S-T5	A6N01S-T5	A6N01S-T5	A6N01S-T5	A6N01S-T5
2,54kg/m	3,27kg/m	1,51kg/m	2,49kg/m	1,93kg/m	3,39kg/m	4,55kg/m	5,827kg/m	2,19kg/m
30	31	32	33	34	35	36	37	38

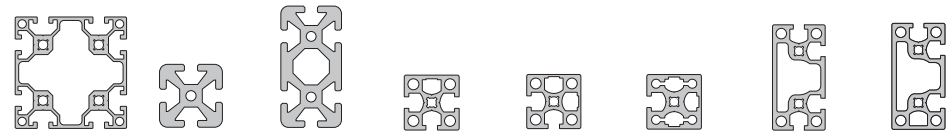
80 X 160 90 X 90 66 X 30 88 X 40 60 X 60 30 X 30 30 X 60 40 X 40 40 X 80



DF 80160	DF 9090	DF 6630	DF 8840	DFR 6060	DNF 3030	DNF 3060	DNF 4040	DNF 4080
A6N01S-T5	A6N01S-T5	A6N01S-T5	A6N01S-T5	A6N01S-T5	A6N01S-T5	A6N01S-T5	A6N01S-T5	A6N01S-T5
9,58kg/m	5,86kg/m	2,18kg/m	4,01kg/m	2,1kg/m	0,85kg/m	1,45kg/m	1,68kg/m	2,72kg/m
47	48	49	50	51	52	53	54	55

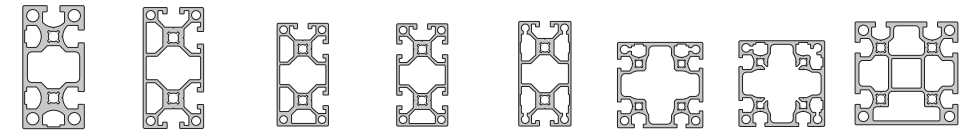
SUMMARY

80 X 80 40 X 40 40 X 80 30 X 30 30 X 30 30 X 30 30 X 60 30 X 60



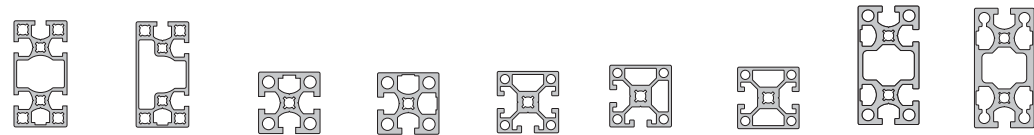
Item NO.	DNF 8080	DHF 4040	DHF 4080	DCF 3030-1	DCF 3030-2	DCF 3030-3	DCF 3060-1	DCF 3060-2
Material	A6N01S-T5	A6N01S-T5	A6N01S-T5	A6N01S-T5	A6N01S-T5	A6N01S-T5	A6N01S-T5	A6N01S-T5
Weight	4.36kg/m	2.35kg/m	4.46kg/m	1.10kg/m	1.10kg/m	1.28kg/m	1.84kg/m	1.87kg/m
T Groove								
Page	56	57	58	59	60	61	62	63

40 X 80 40 X 80 40 X 80 40 X 80 40 X 80 60 X 60 60 X 60 80 X 80



Item NO.	DCF 4080-2	DCNF 4 080-1	DCNF 4080-2	DCNF 4080L1	DCNF 4080L2	DCF 6060-1	DCF 6060-2	DCF 8080-1
Material	A6N01S-T5	A6N01S-T5	A6N01S-T5	A6N01S-T5	A6N01S-T5	A6N01S-T5	A6N01S-T5	A6N01S-T5
Weight	3.4kg/m	2.73kg/m	2.82kg/m	2.82kg/m	2.62kg/m	2.74kg/m	2.65kg/m	5.33kg/m
T Groove								
Page	73	74	75	76	77	78	79	80

30 X 60 30 X 60 40 X 40 40 X 40 40 X 40 40 X 40 40 X 40 40 X 80 40 X 80



SDNF 3060S-1	SDNF 3060-1	DCF 4040-1	DCF 4040-2	DCNF 4 040-1	DCNF 4040-2	DCNF 4040-L2	DCF 4080-1	DCF 4080-L2
A6N01S-T5	A6N01S-T5	A6N01S-T5	A6N01S-T5	A6N01S-T5	A6N01S-T5	A6N01S-T5	A6N01S-T5	A6N01S-T5
1.61kg/m	1.53kg/m	1.95kg/m	1.92kg/m	1.69kg/m	1.69kg/m	1.69kg/m	3.32kg/m	3.4kg/m
64	65	66	67	68	69	70	71	72

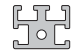
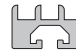
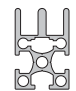
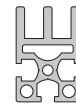
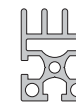











80 X 80 80 X 80 80 X 80 20 X 20 30 X 30 40 X 40 40 X 40 60 X 60 80 X 80
















DCF 8080-2	DCNF 8080-1	DCNF 8080-2	DRF 2020	DRF 3030	DRF 4040	DRF 4040-1	DRF 6060	DRF 8080
A6N01S-T5	A6N01S-T5	A6N01S-T5	A6N01S-T5	A6N01S-T5	A6N01S-T5	A6N01S-T5	A6N01S-T5	A6N01S-T5
5.25kg/m	5.014kg/m	4.95kg/m	0.356kg/m	0.94kg/m	1.71kg/m	1.751kg/m	2.54kg/m	4.694kg/m
81	82	83	84	85	86	87	88	89

SUMMARY

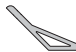
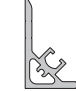






30 X 23 40 X 23 20 X 30 30 X 45 40 X 55 9 X 30 15 X 30 15 X 30

								
Item NO.	GF 3023	GF 4023	RF 2030	RF 3045	RF 4055	DY 1483	DY 3942	DY 3399
Material	A6N01S-T5	A6N01S-T5	A6N01S-T5	A6N01S-T5	A6N01S-T5	A6N01S-T5	A6N01S-T5	A6N01S-T5
Weight	1,01kg/m	1,39kg/m	0,58kg/m	1,63kg/m	2,4kg/m	0,336kg/m	0,303kg/m	0,617kg/m
T Groove								
Page	90	91	92	93	94	95	96	97










15 X 30 20 X 35 20 X 40 20 X 35 20 X 20 30 X 30 40 X 40 60 X 45 60 X 60

									
Item NO.	DY 3730	DY 1478	DY 1477	DY 1723	DAB 2020	DAB 3030	DAB 4040	DAB 6045	DAB 6060
Material	A6N01S-T5	A6N01S-T5	A6N01S-T5	A6N01S-T5	A6N01S-T5	A6N01S-T5	A6N01S-T5	A6N01S-T5	A6N01S-T5
Weight	0,365 kg/m	0,78kg/m	0,96kg/m	0,802 kg/m	0,29kg/m	0,73kg/m	1,0kg/m	1,64kg/m	1,96kg/m
T Groove									
Page	98	99	100	101	103	103	104	104	105

60 X 135 80 X 80 30 X 90 40 X 120 60 X 120 80 X 160 5 X 60 30 X 60

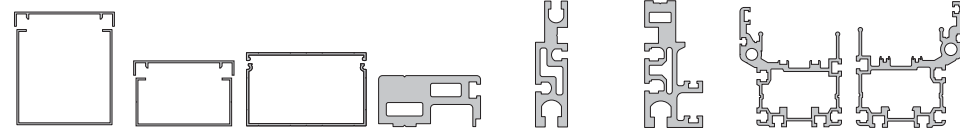
								
Item NO.	DAB 60135	DAB 8080	DAF 3090	DAF 40120	DAF 60120	DAF 80160	DJF 1060	DAD 3060
Material	A6N01S-T5	A6N01S-T5	A6N01S-T5	A6N01S-T5	A6N01S-T5	A6N01S-T5	A6N01S-T5	A6N01S-T5
Weight	2,11kg/m	2,98kg/m	1,27kg/m	1,97kg/m	1,67kg/m	2,59kg/m	0,81kg/m	1,08kg/m
T Groove								
Page	105	106	106	107	107	108	108	110

31 X 60 40 X 90 40 X 40 40 X 80 45 X 45 60 X 60 80 X 45 80 X 80 80 X 80

									
Item NO.	DAD 3160	DAD 4090	DAD 4040	DAD 4080	DAD 4545	DAD 6060	DAD 8045	DAD 8080	DAD 8080-1
Material	A6N01S-T5	A6N01S-T5	A6N01S-T5	A6N01S-T5	A6N01S-T5	A6N01S-T5	A6N01S-T5	A6N01S-T5	A6N01S-T5
Weight	0,99kg/m	1,81kg/m	C:0,42 kg/m B:0,67kg/m	C:0,64 kg/m B:0,89kg/m	C:0,35 kg/m B:0,73kg/m	C:0,49 kg/m B:1,02kg/m	C:0,58 kg/m B:0,99kg/m	C:0,60 kg/m B:1,36kg/m	C:0,64kg/m B:1,32kg/m
T Groove									
Page	110	111	111	112	112	113	113	114	114

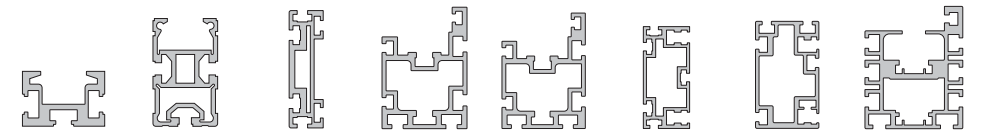
SUMMARY

100 X 100 105 X 50 150 X 80 53 X 26 110 X 28 110 X 50 141 X 120 141 X 120



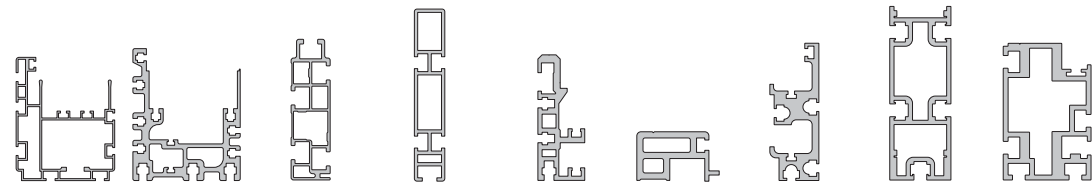
Item NO.	DAD 100100	DAD 10550	DAD 15080	DC 5326	DC 11028	DC 11050	DC 1612	DC 1005
Material	A6N0 1S-T5	A6N0 1S-T5	A6N0 1S-T5	A6063S-T5	A6063S-T5	A6063S-T5	A6063S-T5	A6063S-T5
Weight	C:0.78kg/m B:1.69kg/m	C:0.78kg/m B:1.15kg/m	C:0.49kg/m B:1.02kg/m	2.24kg/m	4.15kg/m	5.55kg/m	7.82kg/m	7.98kg/m
T Groove								
Page	115	115	116	174	174	175	175	176

30 X 45 45 X 75 62 X 18 63 X 90 65 X 90 66 X 30 76 X 45 80 X 100



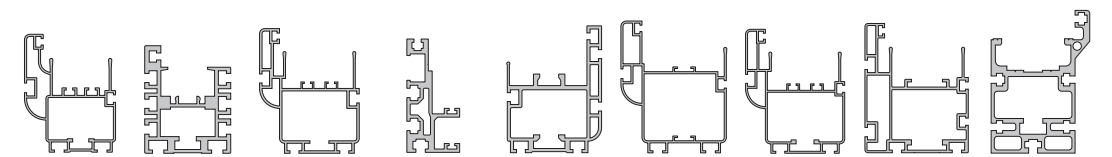
Item NO.	DC 3045	DC 4575	DC 6218	DC 6390	DC 6590	DC 6630	DC 7645	DC 80100
Material	A6063S-T5	A6063S-T5	A6063S-T5	A6063S-T5	A6063S-T5	A6063S-T5	A6063S-T5	A6063S-T5
Weight	1.40kg/m	3.04kg/m	1.27kg/m	3.7kg/m	3.8kg/m	1.56kg/m	2.58kg/m	5.67kg/m
T Groove								
Page	181	181	182	182	183	183	184	184

125 X 100 145 X 118 25 X 90 25 X 130 33 X 90 40 X 24 40 X 73 43 X 122 45 X 70



DC 1006	DC 1024	DC 2590	DC 25130	DC 3390	DC 4024	DC 4073	DC 43122	DC 4570
A6063S-T5	A6063S-T5	A6063S-T5	A6063S-T5	A6063S-T5	A6063S-T5	A6063S-T5	A6063S-T5	A6063S-T5
4.06kg/m	10.07kg/m	1.51kg/m	2.5kg/m	2.57kg/m	1.03kg/m	4.02kg/m	4.027kg/m	2.7kg/m
176	177	177	178	178	179	179	180	180

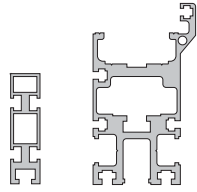
85 X 110 100 X 80 100 X 125 103 X 48 121 X 90 125 X 100 100 X 125 125 X 100 80 X 136



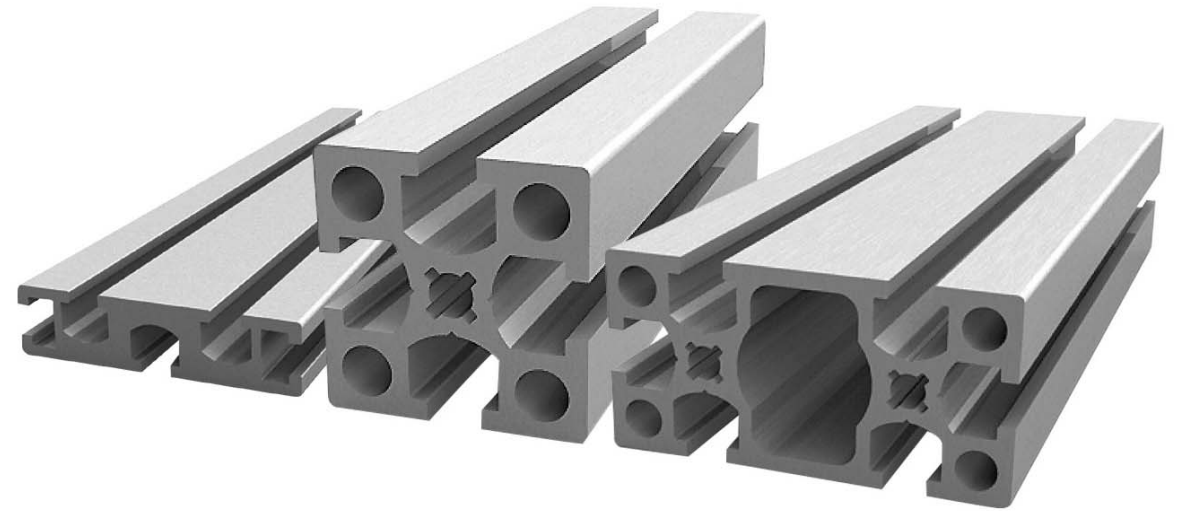
DC 85110	DC 10080	DC 100125	DC 10348	DC 12190	DC 125100	DY 1145	DY 1031	DY 1054
A6063S-T5	A6063S-T5	A6063S-T5	A6063S-T5	A6063S-T5	A6063S-T5	A6063S-T5	A6063S-T5	A6063S-T5
3.08kg/m	5.66kg/m	4.2kg/m	3.35kg/m	5.037kg/m	3.22kg/m	3.47kg/m	4.52kg/m	6.97kg/m
185	185	186	186	187	187	188	188	189

SUMMARY

20 X 75 80 X 166



Item NO.	DY 1248-1	DY 1886
Material	A6063S-T5	A6063S-T5
Weight	1,65kg/m	10,6kg/m
T Groove		
Page	189	190



profile

Profile
Angle
Duct
Profile Accessory
Conveyor Frame
Air Supply System
AL Tube
Technical Data
Pipe rack system

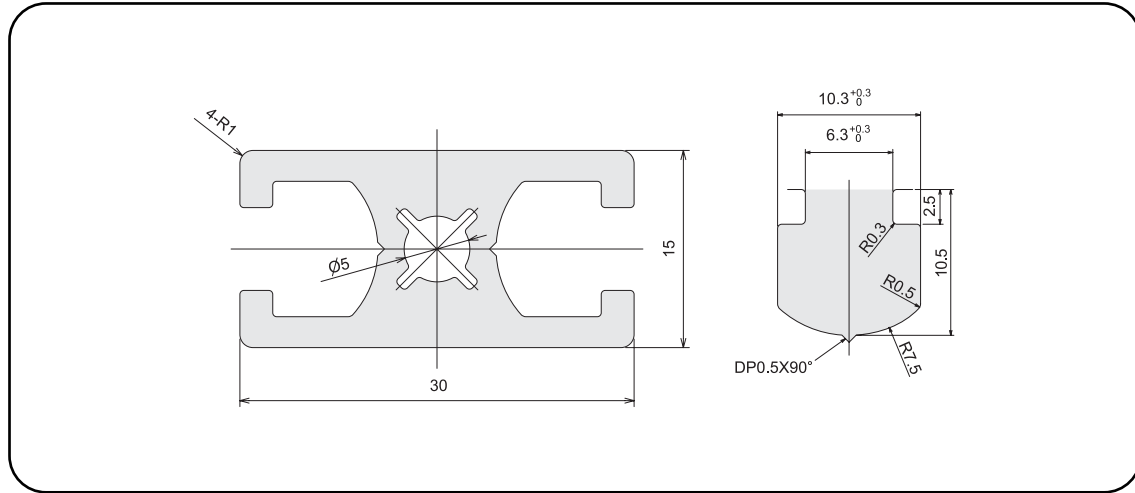
Profile
Angle
Duct
Profile Accessory
Conveyor Frame
Air Supply System
AL Tube
Technical Data
Pipe rack system

DF 1530

15 X 30

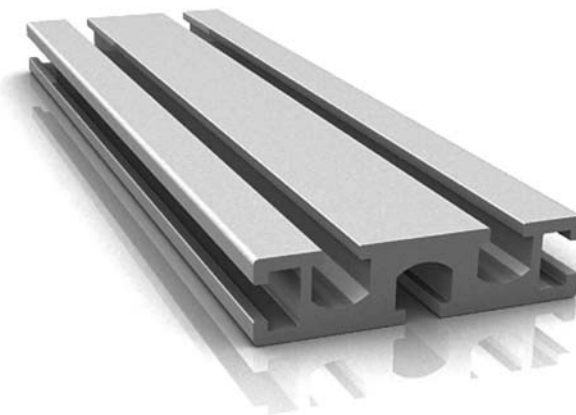


Technical Data (技術 Data)	
Material (材質)	A6N01S-T5
Surface Processing (表面處理)	Anodized
Weight (重量)	0.67kg/m
Section Area (斷面積)	246.3mm ²
Second Section Monent (斷面2次 Moment)	Ix= 0.7x10cm ⁴ Iy= 1.5x10cm ⁴
Specification (仕様)	4,000mm / 6,000mm
Color (色相)	Silver, Black
Application (用途)	Machine Structure Frame, Work Table, Machine Cover, Door & Windows Frame, Sensor Bracket <small>(기계구조물, 작업대, 기계커버, 기계창문 및 문, 센서 브라켓)</small>

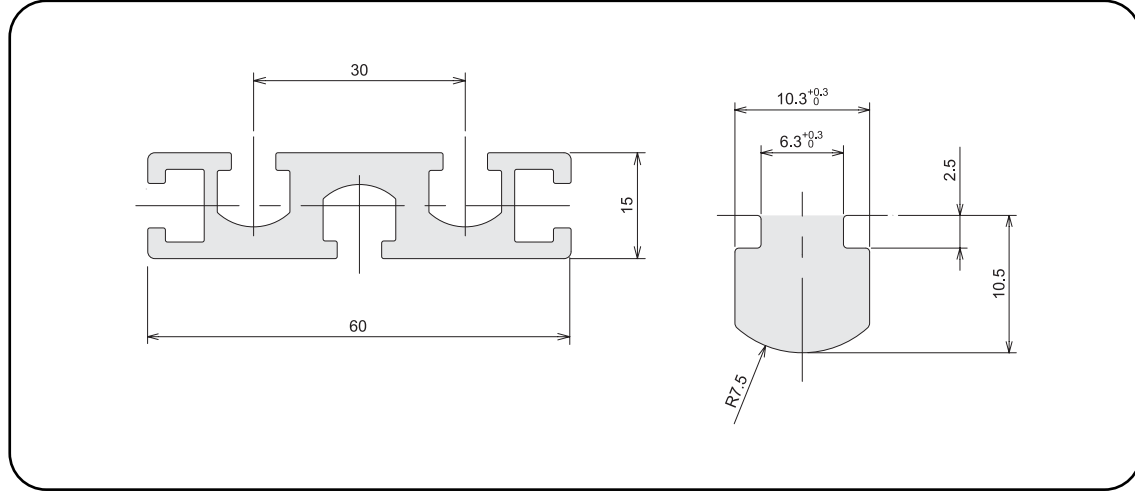


DF 1560

15 X 60



Technical Data (技術 Data)	
Material (材質)	A6N01S-T5
Surface Processing (表面處理)	Anodized
Weight (重量)	1.3kg/m
Section Area (斷面積)	479.5mm ²
Second Section Monent (斷面2次 Moment)	Ix= 1.2x10cm ⁴ Iy= 13.0x10cm ⁴
Specification (仕様)	4,000mm / 6,000mm
Color (色相)	Silver, Black
Application (用途)	Machine Structure Frame, Work Table, Machine Cover, Door & Windows Frame, Sensor Bracket <small>(기계구조물, 작업대, 기계커버, 기계창문 및 문, 센서 브라켓)</small>



Profile

Angle

Duct

Profile Accessory

Conveyor Frame

Air Supply System

AL Tube

Technical Data

Pipe rack system

Profile

Angle

Duct

Profile Accessory

Conveyor Frame

Air Supply System

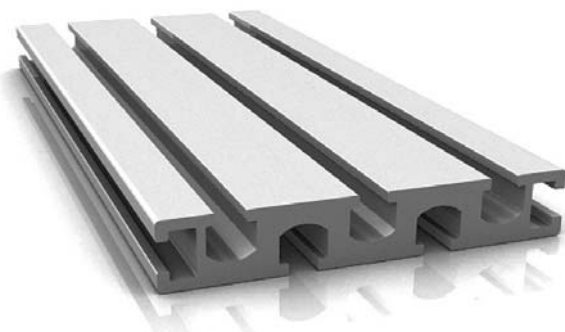
AL Tube

Technical Data

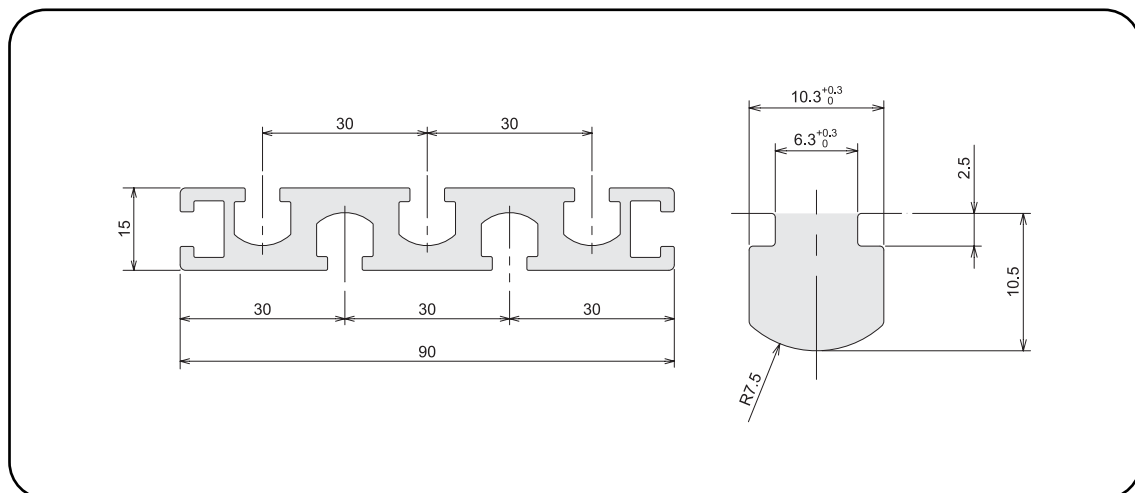
Pipe rack system

DF 1590

15 X 90

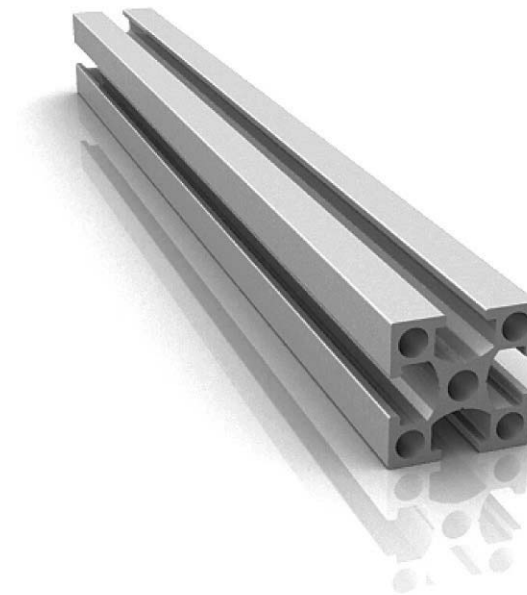


Technical Data (技術 Data)	
Material (材質)	A6N01S-T5
Surface Processing (表面處理)	Anodized
Weight (重量)	2.02kg/m
Section Area (斷面積)	746.3mm ²
Second Section Moment (斷面2次 Moment)	Ix=1.8x10cm ⁴ Iy=46.0x10cm ⁴
Specification (仕様)	4,000mm / 6,000mm
Color (色相)	Silver, Black
Application (用途)	Machine Structure Frame, Work Table, Machine Cover (기계구조물, 작업대, 기계커버)

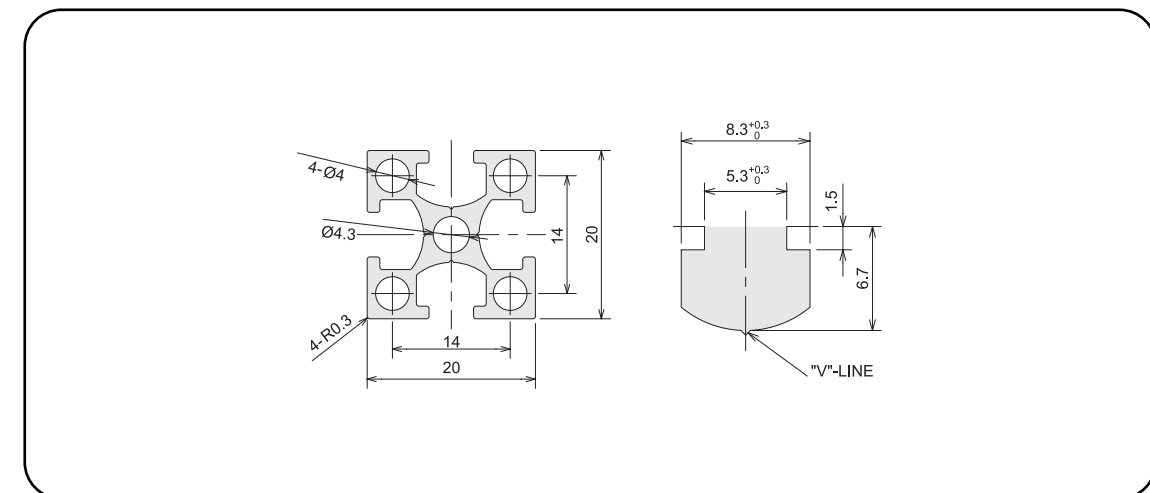


DF 2020

20 X 20



Technical Data (技術 Data)	
Material (材質)	A6N01S-T5
Surface Processing (表面處理)	Anodized
Weight (重量)	0.39kg/m
Section Area (斷面積)	145.94mm ²
Second Section Moment (斷面2次 Moment)	Ix=0.59x10cm ⁴ Iy=0.59x10cm ⁴
Specification (仕様)	4,000mm / 6,000mm
Color (色相)	Silver, Black
Application (用途)	Machine Structure Frame, Work Table, Machine Cover (기계구조물, 작업대, 기계커버)



Profile

Angle

Duct

Profile Accessory

Conveyor Frame

Air Supply System

AL Tube

Technical Data

Pipe rack system



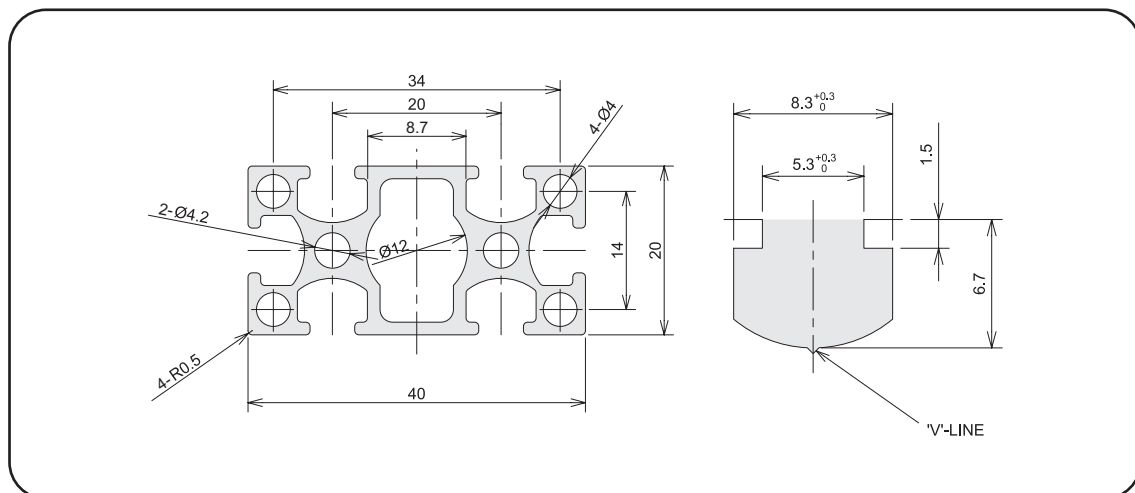
DF 2040

20 X 40



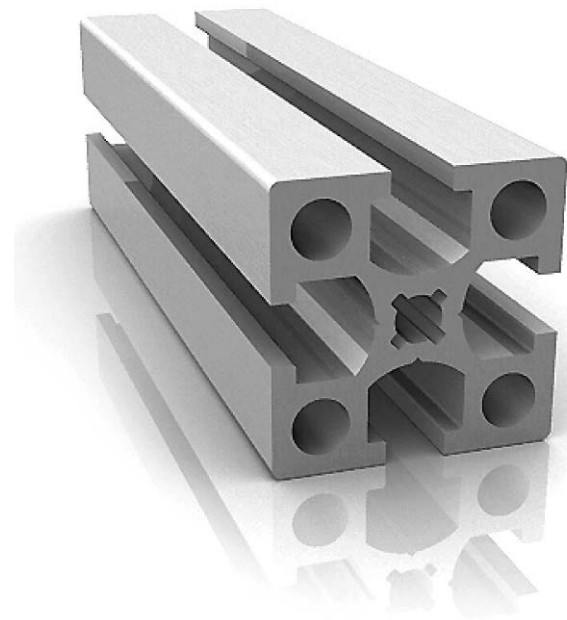
Technical Data (技術 Data)

Material (材質)	A6N01S-T5
Surface Processing (表面處理)	Anodized
Weight (重量)	0.74kg/m
Section Area (斷面積)	273.5mm ²
Second Section Moment (斷面2次 Moment)	Ix=1.1x10cm ⁴ Iy=4.2x10cm ⁴
Specification (仕様)	4,000mm / 6,000mm
Color (色相)	Silver, Black
Application (用途)	Machine Structure Frame, Work Table, Machine Cover (기계구조물, 작업대, 기계커버)

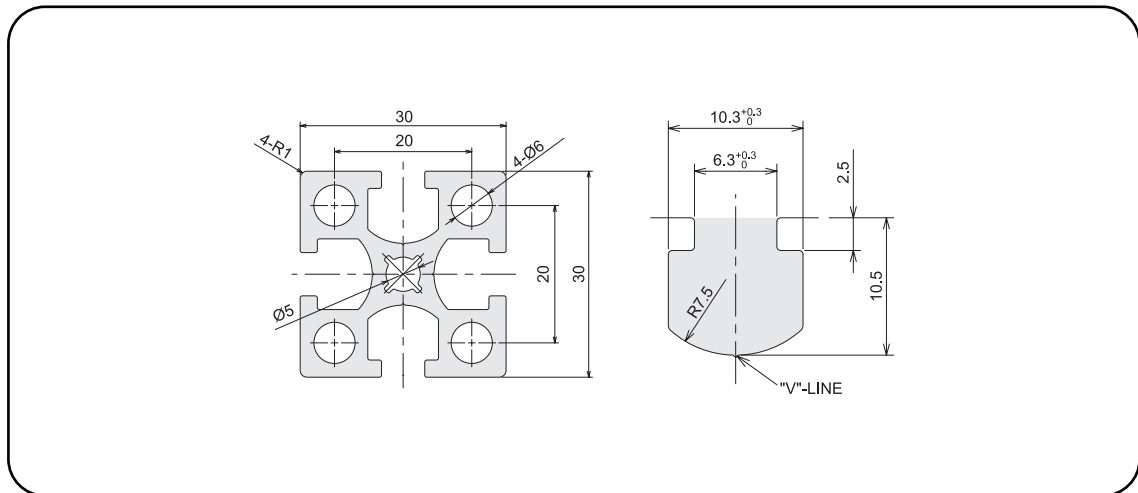


DF 3030

30 X 30



Technical Data (技術 Data)	
Material (材質)	A6N01S-T5
Surface Processing (表面處理)	Anodized
Weight (重量)	1.07kg/m
Section Area (斷面積)	395.8mm ²
Second Section Monent (斷面二次 Moment)	I _x = 3.6x10cm ⁴ I _y = 3.6x10cm ⁴
Specification (仕様)	4,000mm / 6,000mm
Color (色相)	Silver, Black
Application (用途)	Machine Structure Frame, Work Table, Machine Cover (기계구조물, 작업대, 기계커버)

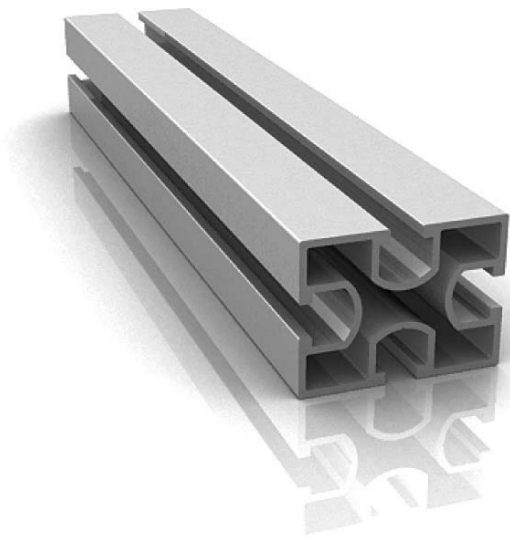


Profile
Angle
Duct
Profile Accessory
Conveyor Frame
Air Supply System
AL Tube
Technical Data
Pipe rack system

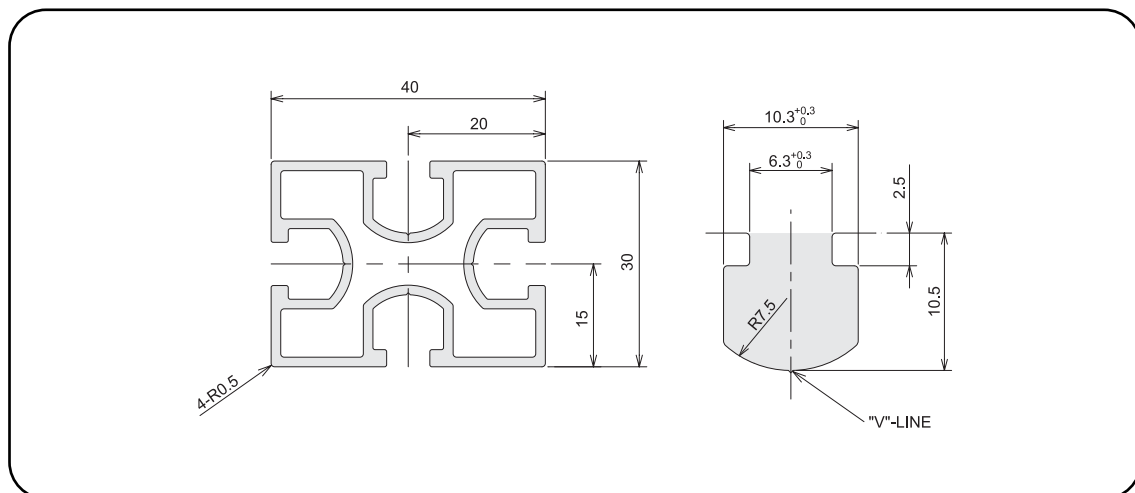
Profile
Angle
Duct
Profile Accessory
Conveyor Frame
Air Supply System
AL Tube
Technical Data
Pipe rack system

DF 3040

30 X 40

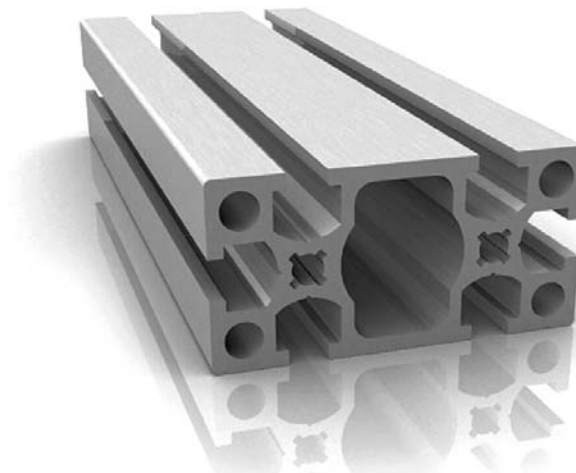


Technical Data (技術 Data)	
Material (材質)	A6N01S-T5
Surface Processing (表面處理)	Anodized
Weight (重量)	0.88kg/m
Section Area (斷面積)	325.5mm ²
Second Section Monent (斷面2次 Moment)	Ix=3.2x10cm ⁴ Iy=5.4x10cm ⁴
Specification (仕様)	4,000mm / 6,000mm
Color (色相)	Silver, Black
Application (用途)	Machine Structure Frame, Work Table, Machine Cover (기계구조물, 작업대, 기계커버)

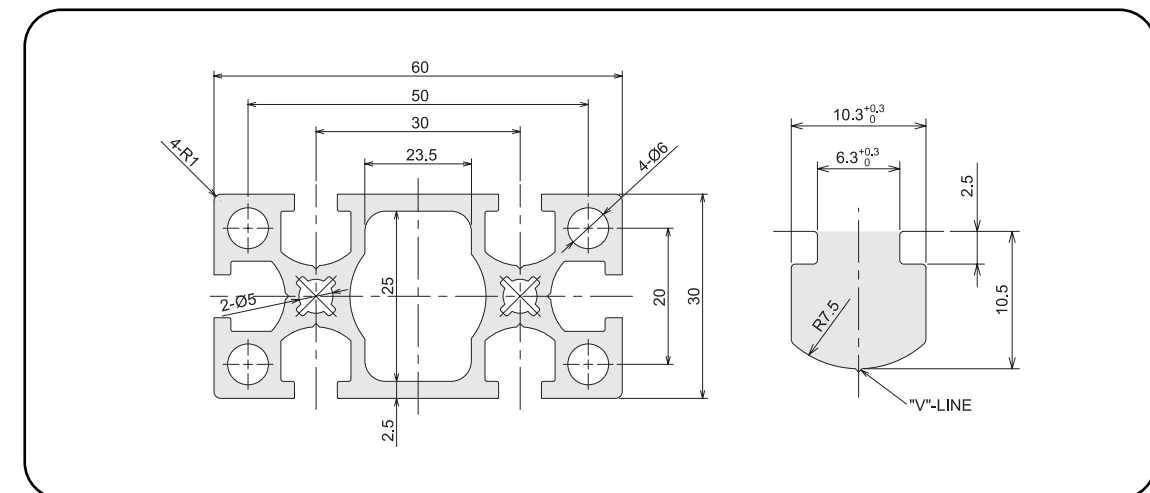


DF 3060

30 X 60



Technical Data (技術 Data)	
Material (材質)	A6N01S-T5
Surface Processing (表面處理)	Anodized
Weight (重量)	1.8kg/m
Section Area (斷面積)	664.0mm ²
Second Section Monent (斷面2次 Moment)	Ix=6.5x10cm ⁴ Iy=25.0x10cm ⁴
Specification (仕様)	4,000mm / 6,000mm
Color (色相)	Silver, Black
Application (用途)	Machine Structure Frame, Work Table, Machine Cover (기계구조물, 작업대, 기계커버)

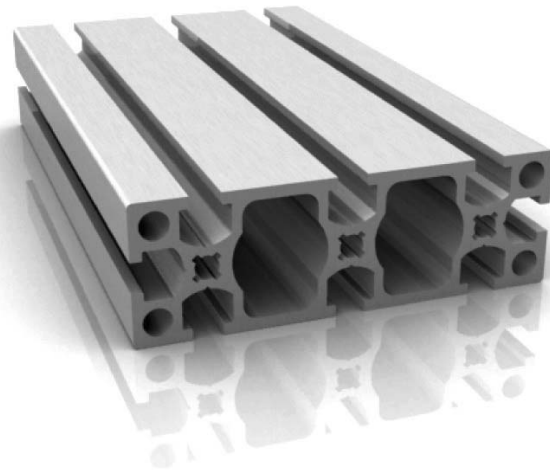


Profile
Angle
Duct
Profile Accessory
Conveyor Frame
Air Supply System
AL Tube
Technical Data
Pipe rack system

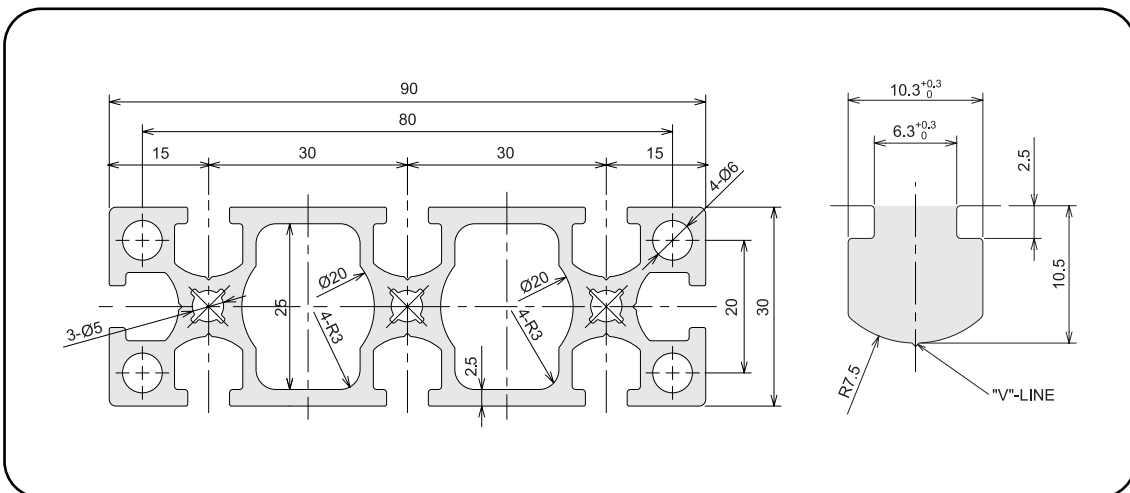
Profile
Angle
Duct
Profile Accessory
Conveyor Frame
Air Supply System
AL Tube
Technical Data
Pipe rack system

DF 3090

30 X 90

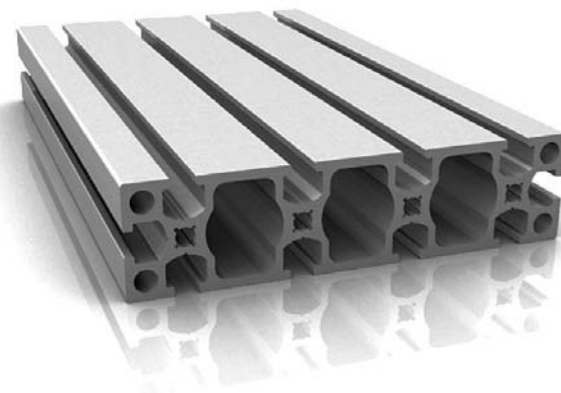


Technical Data (技術 Data)	
Material (材質)	A6N01S-T5
Surface Processing (表面處理)	Anodized
Weight (重量)	2.54kg/m
Section Area (斷面積)	938.2mm ²
Second Section Monent (斷面2次 Moment)	Ix=9.5x10cm ⁴ Iy=76.2x10cm ⁴
Specification (仕様)	4,000mm / 6,000mm
Color (色相)	Silver, Black
Application (用途)	Machine Structure Frame, Work Table, Machine Cover (기계구조물, 작업대, 기계커버)

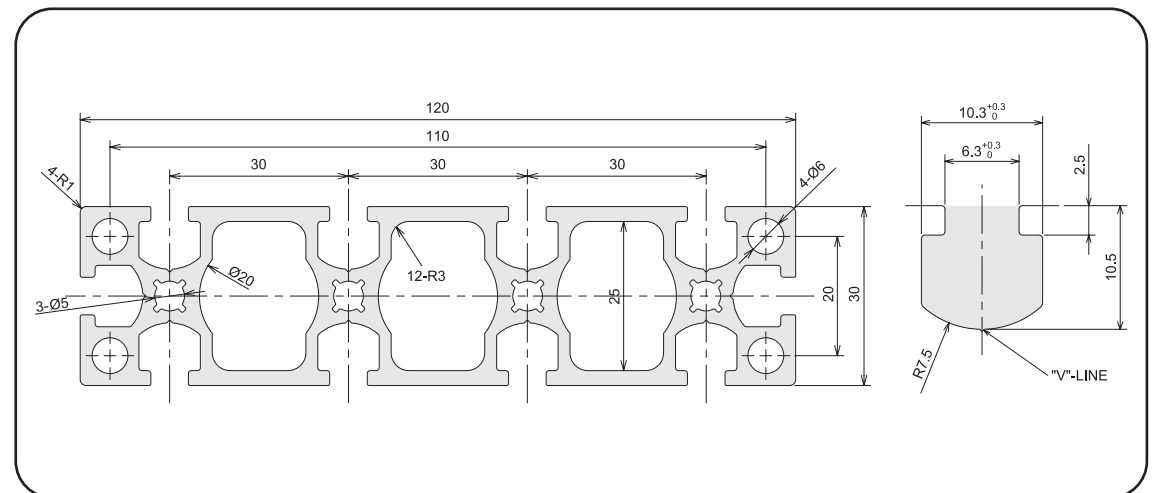


DF 30120

30 X 120



Technical Data (技術 Data)	
Material (材質)	A6N01S-T5
Surface Processing (表面處理)	Anodized
Weight (重量)	3.27kg/m
Section Area (斷面積)	1,209.8mm ²
Second Section Monent (斷面2次 Moment)	Ix=12.4x10cm ⁴ Iy=169.7x10cm ⁴
Specification (仕様)	4,000mm / 6,000mm
Color (色相)	Silver, Black
Application (用途)	Machine Structure Frame, Work Table, Machine Cover (기계구조물, 작업대, 기계커버)



Profile

Angle

Duct

Profile Accessory

Conveyor Frame

Air Supply System

AL Tube

Technical Data

Pipe rack system

Profile

Angle

Duct

Profile Accessory

Conveyor Frame

Air Supply System

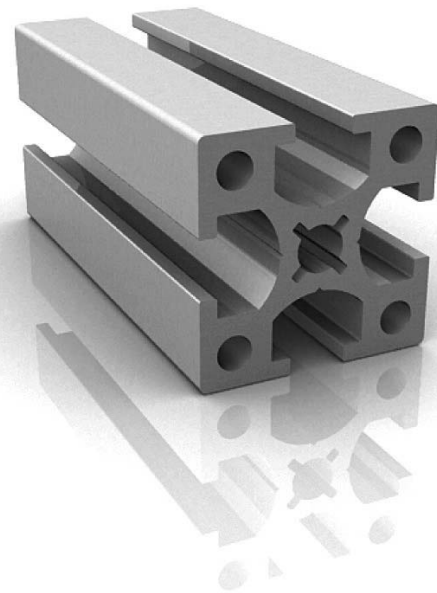
AL Tube

Technical Data

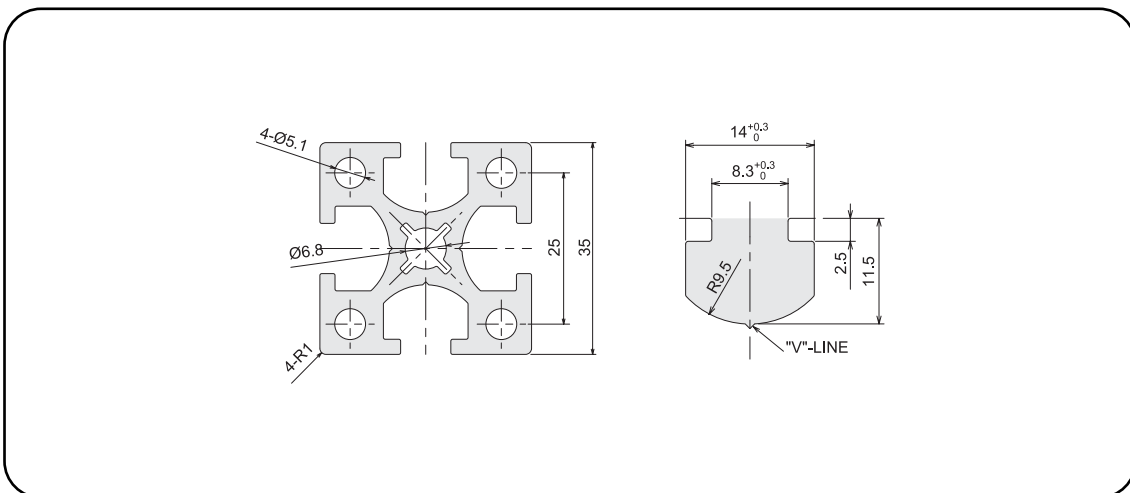
Pipe rack system

DF 3535

35 X 35

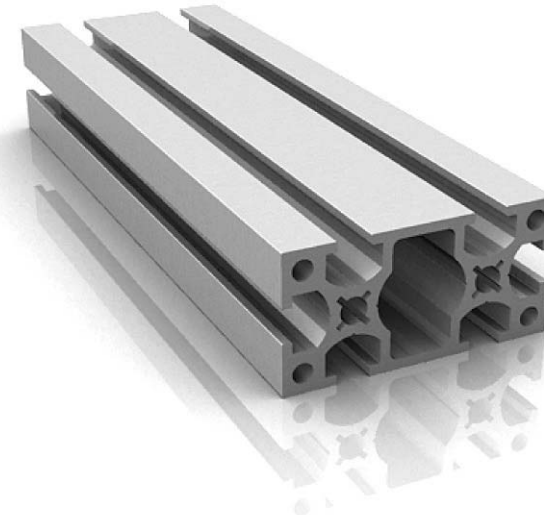


Technical Data (技術 Data)	
Material (材質)	A6N01S-T5
Surface Processing (表面處理)	Anodized
Weight (重量)	1.51kg/m
Section Area (斷面積)	559.0mm ²
Second Section Moment (斷面2次 Moment)	Ix=6.9x10cm ⁴ Iy=6.9x10cm ⁴
Specification (仕様)	4,000mm / 6,000mm
Color (色相)	Silver, Black
Application (用途)	Machine Structure Frame, Work Table, Machine Cover (기계구조물, 작업대, 기계커버)

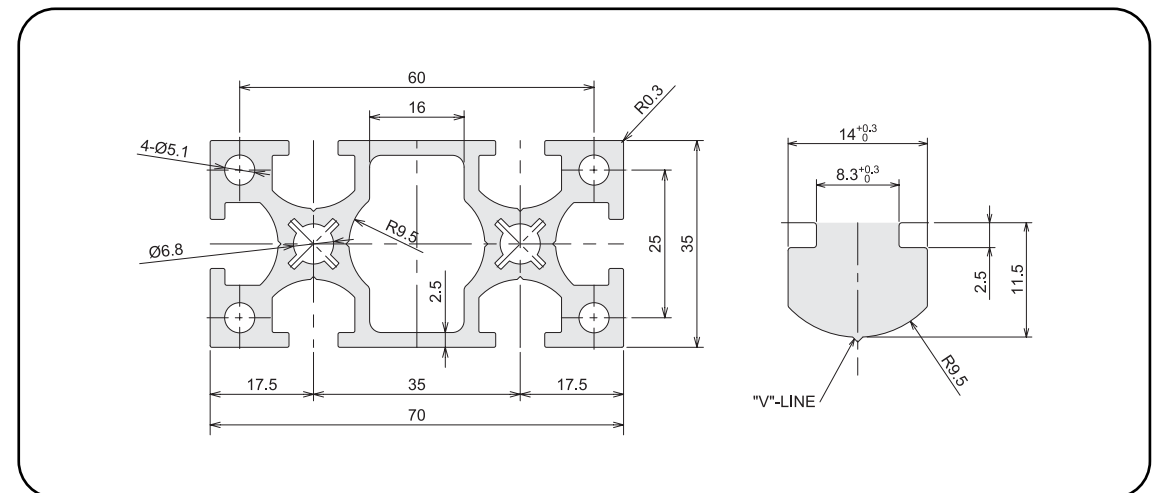


DF 3570

30 X 70



Technical Data (技術 Data)	
Material (材質)	A6N01S-T5
Surface Processing (表面處理)	Anodized
Weight (重量)	2.49kg/m
Section Area (斷面積)	919.9mm ²
Second Section Moment (斷面2次 Moment)	Ix=11.8x10cm ⁴ Iy=47.8x10cm ⁴
Specification (仕様)	4,000mm / 6,000mm
Color (色相)	Silver, Black
Application (用途)	Machine Structure Frame, Work Table, Machine Cover (기계구조물, 작업대, 기계커버)



Profile

Angle

Duct

Profile Accessory

Conveyor Frame

Air Supply System

AL Tube

Technical Data

Pipe rack system

Profile

Angle

Duct

Profile Accessory

Conveyor Frame

Air Supply System

AL Tube

Technical Data

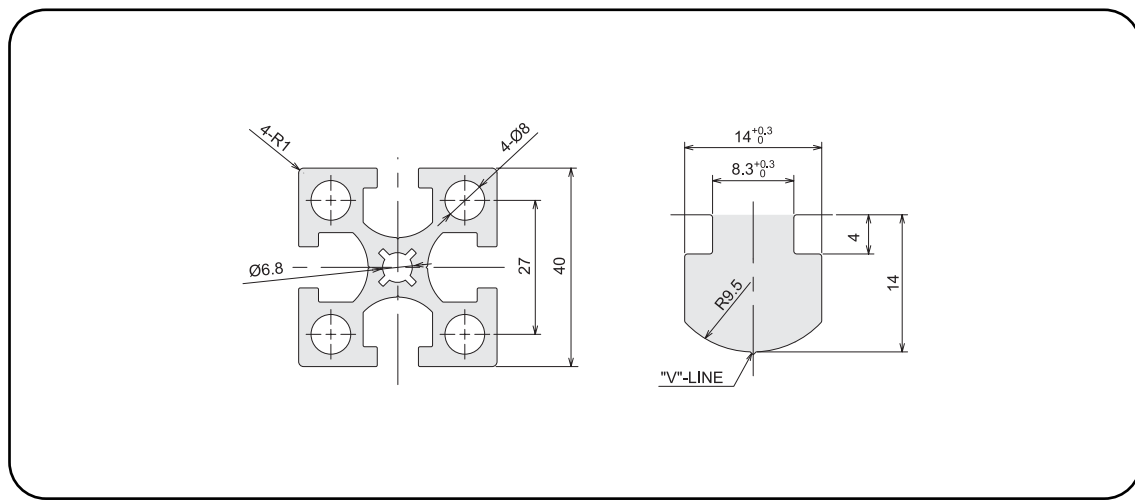
Pipe rack system

DF 4040

40 X 40

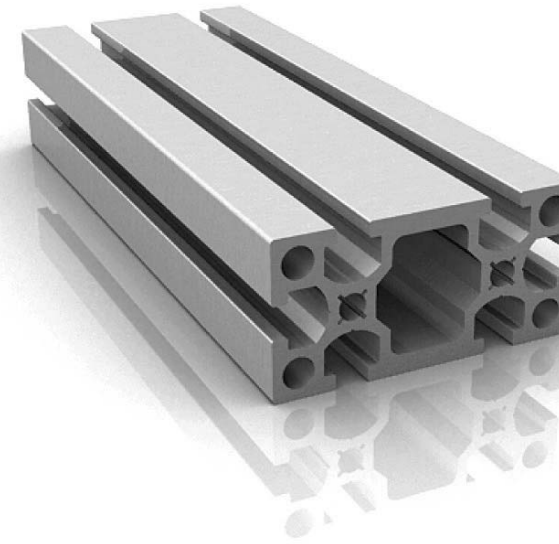


Technical Data (技術 Data)	
Material (材質)	A6N01S-T5
Surface Processing (表面處理)	Anodized
Weight (重量)	1.93kg/m
Section Area (斷面積)	712.6mm ²
Second Section Moment (斷面2次 Moment)	Ix=11.4x10cm ⁴ Iy=11.4x10cm ⁴
Specification (仕様)	4,000mm / 6,000mm
Color (色相)	Silver, Black
Application (用途)	Machine Structure Frame, Work Table, Machine Cover (기계구조물, 작업대, 기계커버)

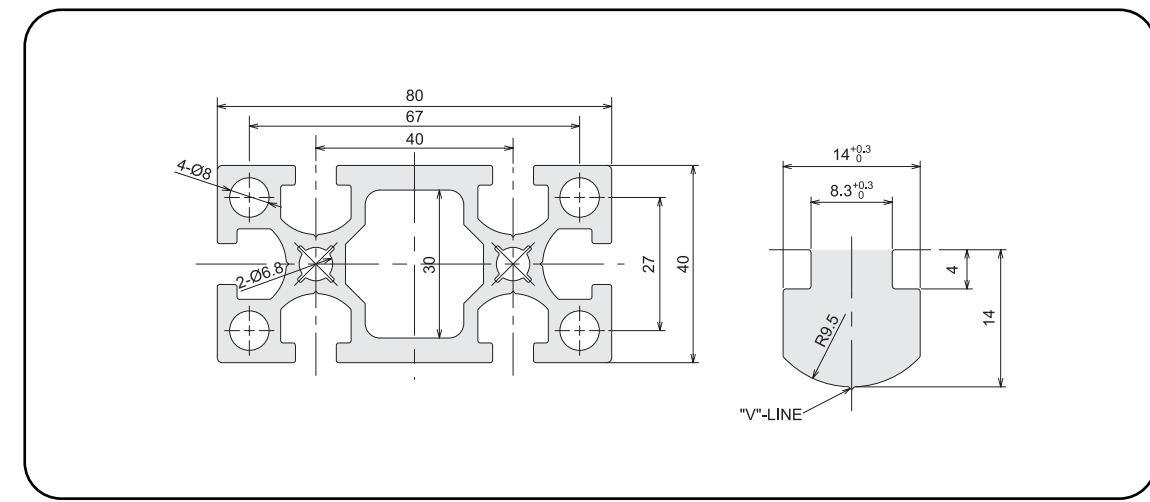


DF 4080

40 X 80



Technical Data (技術 Data)	
Material (材質)	A6N01S-T5
Surface Processing (表面處理)	Anodized
Weight (重量)	3.39kg/m
Section Area (斷面積)	1,251.8mm ²
Second Section Moment (斷面2次 Moment)	Ix=22.5x10cm ⁴ Iy=79.1x10cm ⁴
Specification (仕様)	4,000mm / 6,000mm
Color (色相)	Silver, Black
Application (用途)	Machine Structure Frame, Work Table, Machine Cover (기계구조물, 작업대, 기계커버)

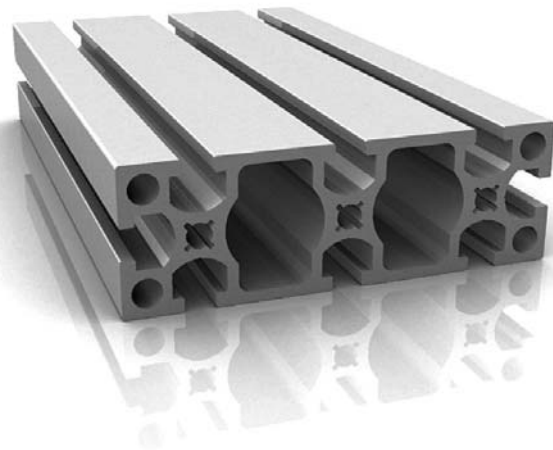


Profile
Angle
Duct
Profile Accessory
Conveyor Frame
Air Supply System
AL Tube
Technical Data
Pipe rack system

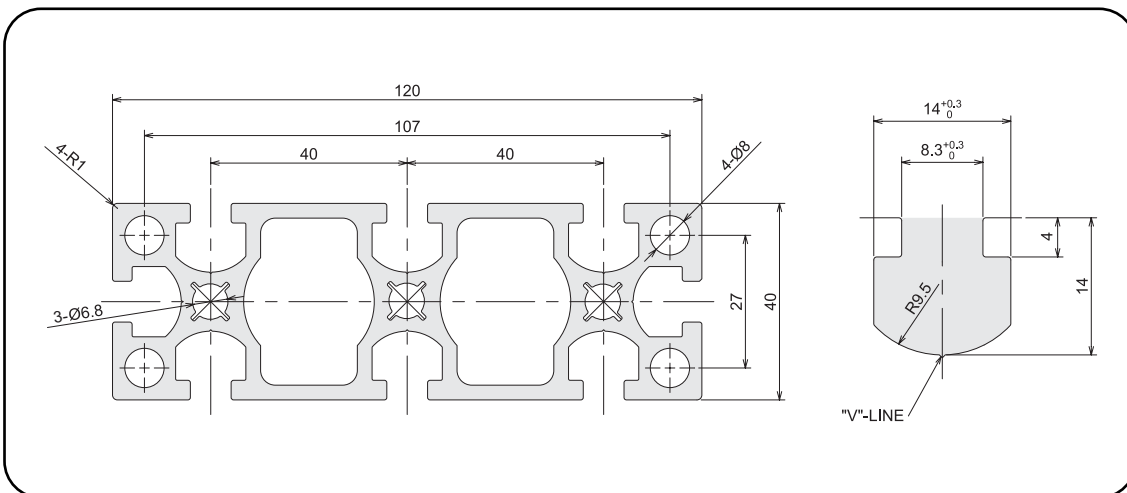
Profile
Angle
Duct
Profile Accessory
Conveyor Frame
Air Supply System
AL Tube
Technical Data
Pipe rack system

DF 40120

40 X 120

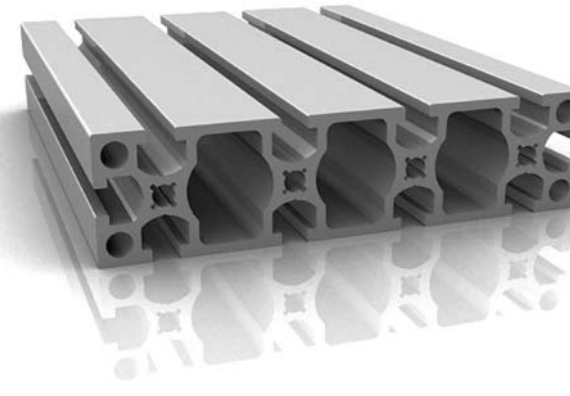


Technical Data (技術 Data)	
Material (材質)	A6N01S-T5
Surface Processing (表面處理)	Anodized
Weight (重量)	4.55kg/m
Section Area (斷面積)	1,680.2mm ²
Second Section Monent (斷面2次 Moment)	Ix=29.8x10cm ⁴ Iy=24.4x10cm ⁴
Specification (仕様)	4,000mm / 6,000mm
Color (色相)	Silver, Black
Application (用途)	Machine Structure Frame, Work Table, Machine Cover (기계구조물, 작업대, 기계커버)

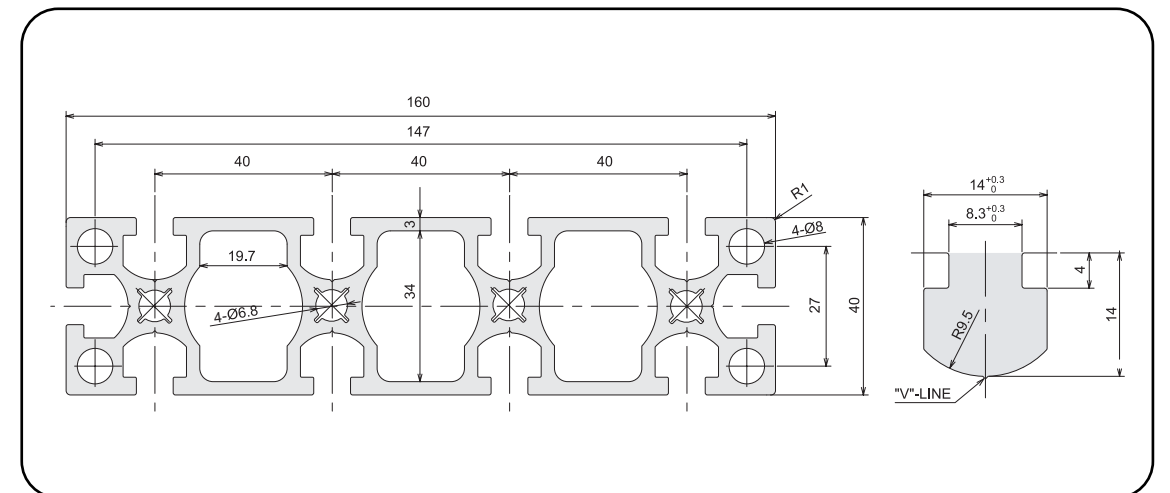


DF 40160

40 X 160



Technical Data (技術 Data)	
Material (材質)	A6N01S-T5
Surface Processing (表面處理)	Anodized
Weight (重量)	5.827kg/m
Section Area (斷面積)	2,150mm ²
Second Section Monent (斷面2次 Moment)	Ix=38.9x10cm ⁴ Iy=536.6x10cm ⁴
Specification (仕様)	4,000mm / 6,000mm
Color (色相)	Silver, Black
Application (用途)	Machine Structure Frame, Work Table, Machine Cover (기계구조물, 작업대, 기계커버)

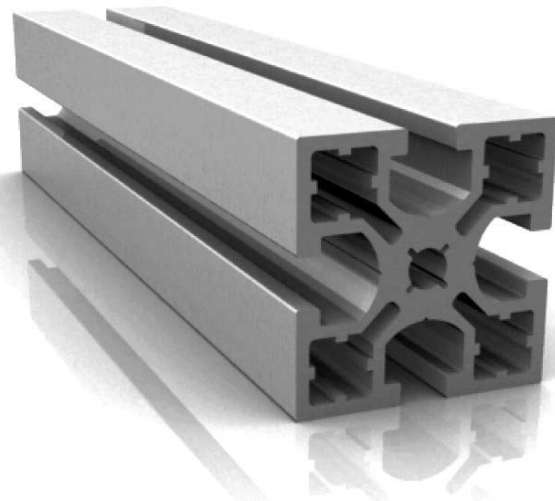


Profile
Angle
Duct
Profile Accessory
Conveyor Frame
Air Supply System
AL Tube
Technical Data
Pipe rack system

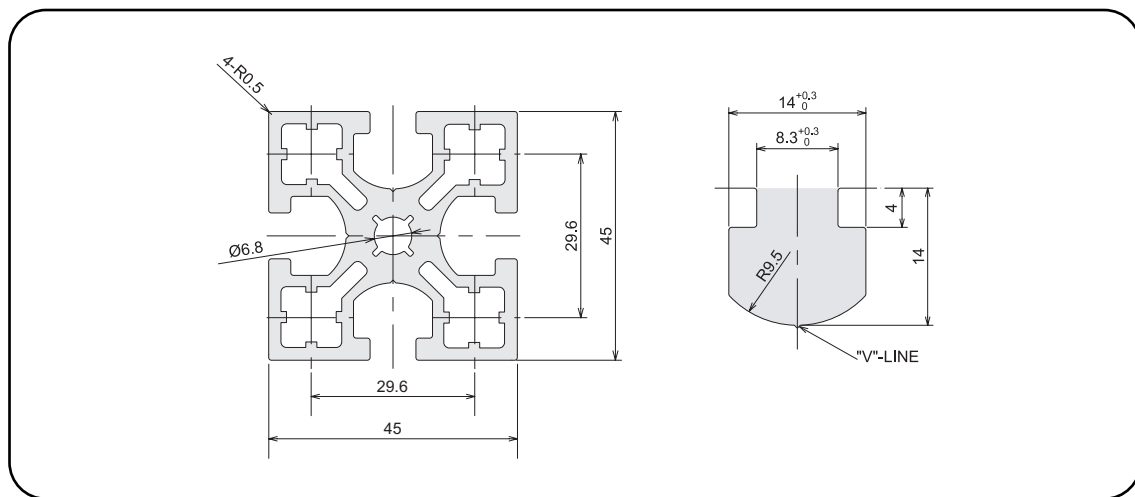
Profile
Angle
Duct
Profile Accessory
Conveyor Frame
Air Supply System
AL Tube
Technical Data
Pipe rack system

DF 4545

45 X 45

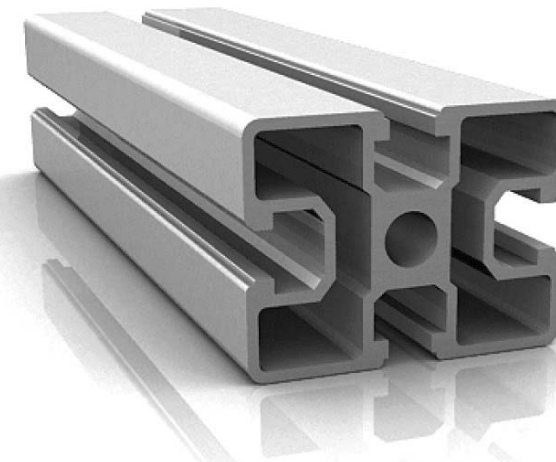


Technical Data (技術 Data)	
Material (材質)	A6N01S-T5
Surface Processing (表面處理)	Anodized
Weight (重量)	2.19kg/m
Section Area (斷面積)	809.7mm ²
Second Section Moment (斷面2次 Moment)	Ix=15.1x10cm ⁴ Iy=15.1x10cm ⁴
Specification (仕様)	4,000mm / 6,000mm
Color (色相)	Silver, Black
Application (用途)	Machine Structure Frame, Work Table, Machine Cover (기계구조물, 작업대, 기계커버)

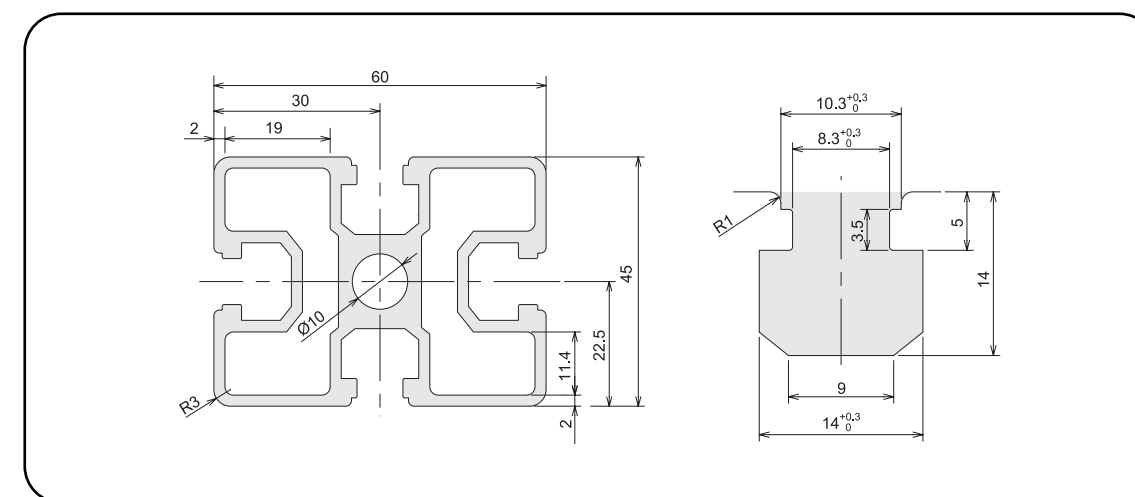


DF 4560

40 X 60



Technical Data (技術 Data)	
Material (材質)	A6N01S-T5
Surface Processing (表面處理)	Anodized
Weight (重量)	2.26kg/m
Section Area (斷面積)	832.9mm ²
Second Section Moment (斷面2次 Moment)	Ix=16.2x10cm ⁴ Iy=27.2x10cm ⁴
Specification (仕様)	4,000mm / 6,000mm
Color (色相)	Silver, Black
Application (用途)	Machine Structure Frame, Work Table, Machine Cover (기계구조물, 작업대, 기계커버)

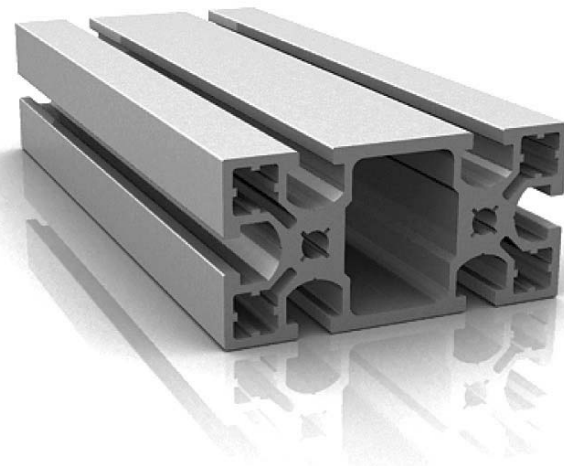


Profile
Angle
Duct
Profile Accessory
Conveyor Frame
Air Supply System
AL Tube
Technical Data
Pipe rack system

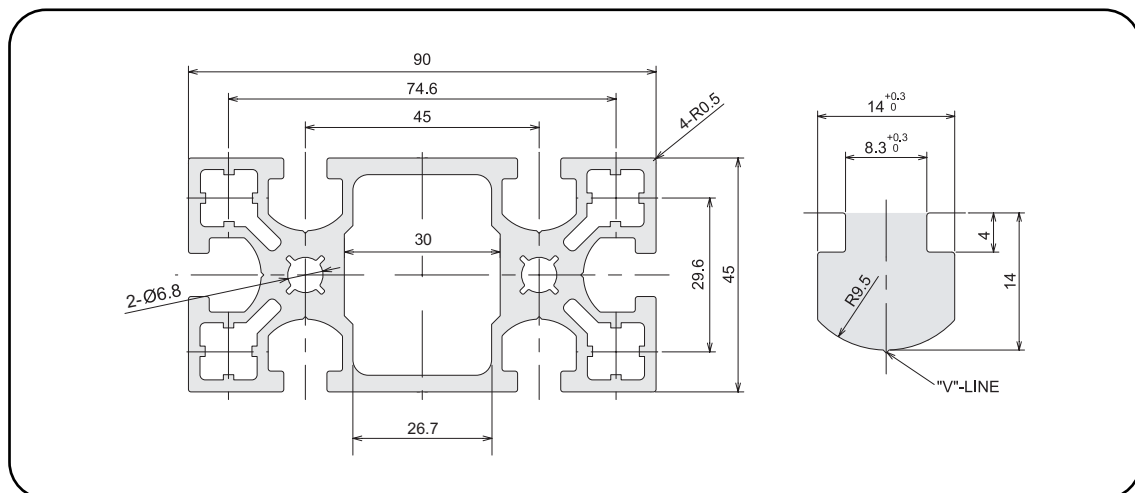
Profile
Angle
Duct
Profile Accessory
Conveyor Frame
Air Supply System
AL Tube
Technical Data
Pipe rack system

DF 4590

45 X 90

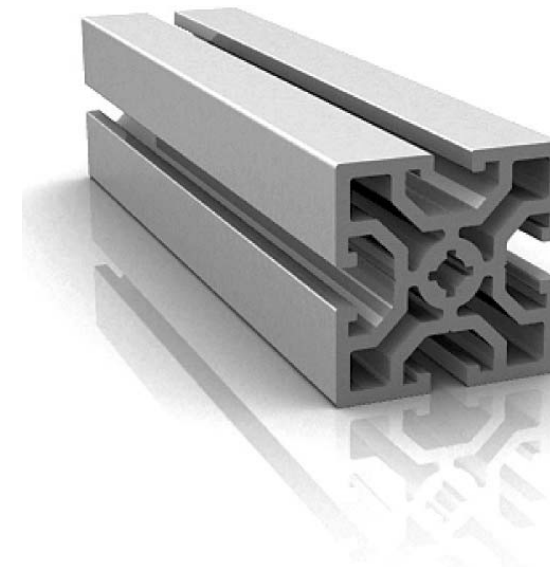


Technical Data (技術 Data)	
Material (材質)	A6N01S-T5
Surface Processing (表面處理)	Anodized
Weight (重量)	3.76kg/m
Section Area (斷面積)	1,387.5mm ²
Second Section Moment (斷面2次 Moment)	Ix=28.6x10cm ⁴ Iy=111.9x10cm ⁴
Specification (仕様)	4,000mm / 6,000mm
Color (色相)	Silver, Black
Application (用途)	Machine Structure Frame, Work Table, Machine Cover (기계구조물, 작업대, 기계커버)

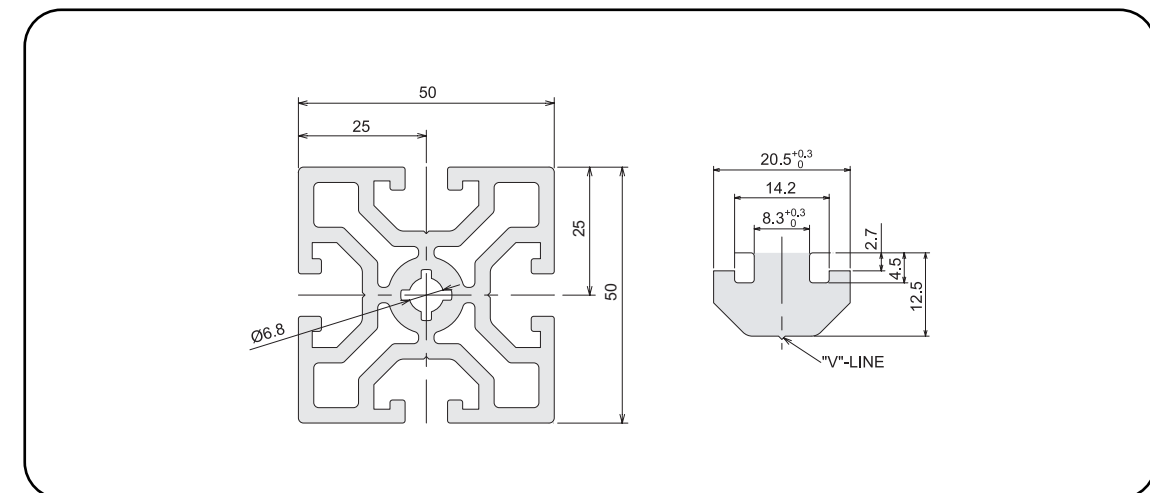


DF 5050

50 X 50



Technical Data (技術 Data)	
Material (材質)	A6N01S-T5
Surface Processing (表面處理)	Anodized
Weight (重量)	3.01kg/m
Section Area (斷面積)	1,110.1mm ²
Second Section Moment (斷面2次 Moment)	Ix=25.9x10cm ⁴ Iy=25.9x10cm ⁴
Specification (仕様)	4,000mm / 6,000mm
Color (色相)	Silver, Black
Application (用途)	Machine Structure Frame, Work Table, Machine Cover (기계구조물, 작업대, 기계커버)



Profile
Angle
Duct
Profile Accessory
Conveyor Frame
Air Supply System
AL Tube
Technical Data
Pipe rack system

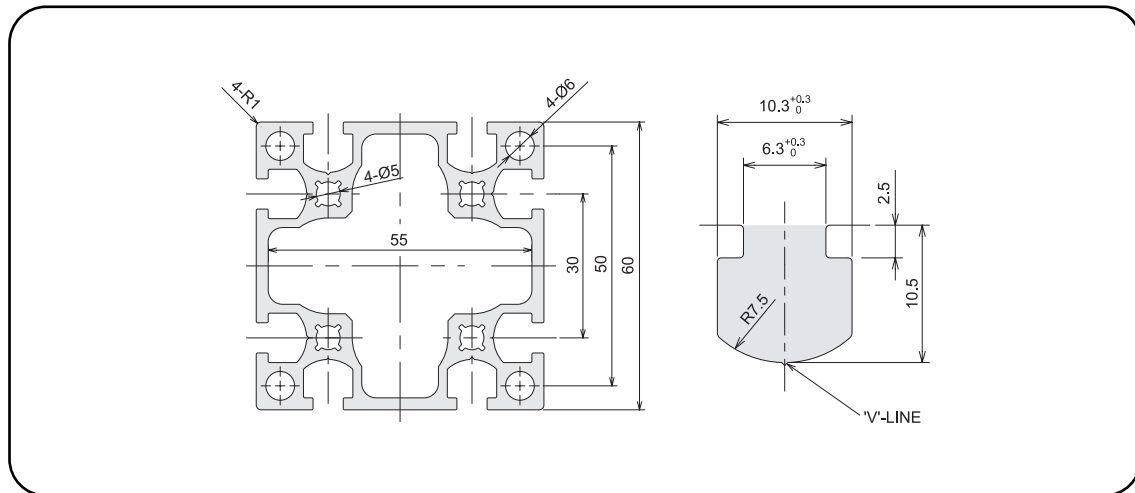
Profile
Angle
Duct
Profile Accessory
Conveyor Frame
Air Supply System
AL Tube
Technical Data
Pipe rack system

DF 6060

60 X 60



Technical Data (技術 Data)	
Material (材質)	A6N01S-T5
Surface Processing (表面處理)	Anodized
Weight (重量)	2.72kg/m
Section Area (斷面積)	1,004.0mm ²
Second Section Moment (斷面2次 Moment)	Ix=423x10cm ⁴ Iy=423x10cm ⁴
Specification (仕様)	4,000mm / 6,000mm
Color (色相)	Silver, Black
Application (用途)	Machine Structure Frame, Work Table, Machine Cover (기계구조물, 작업대, 기계커버)

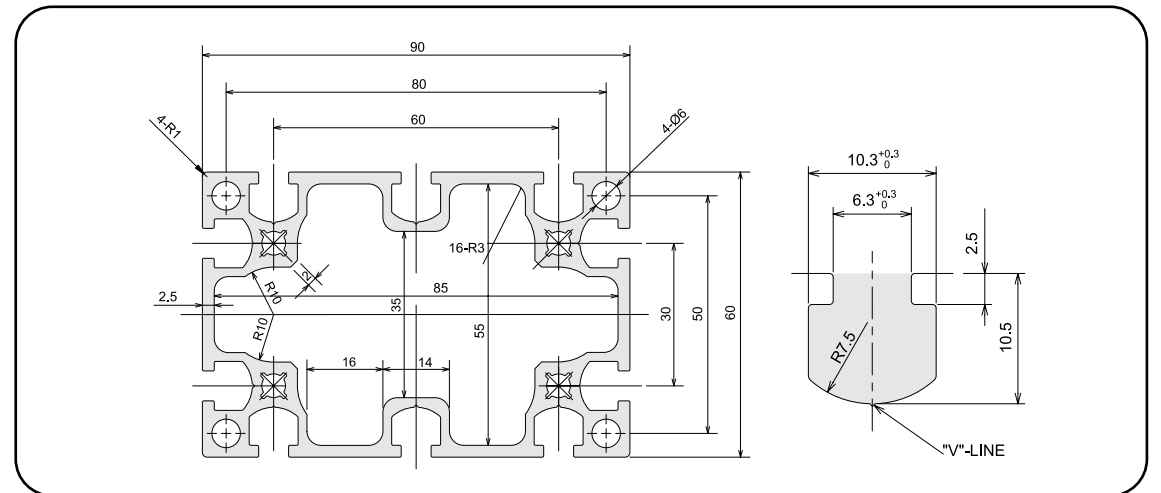


DF 6090

60 X 90



Technical Data (技術 Data)	
Material (材質)	A6N01S-T5
Surface Processing (表面處理)	Anodized
Weight (重量)	3.60kg/m
Section Area (斷面積)	1,250mm ²
Second Section Moment (斷面2次 Moment)	Ix=58.1x10cm ⁴ Iy=123.2x10cm ⁴
Specification (仕様)	4,000mm / 6,000mm
Color (色相)	Silver, Black
Application (用途)	Machine Structure Frame, Work Table, Machine Cover (기계구조물, 작업대, 기계커버)



Profile

Angle

Duct

Profile Accessory

Conveyor Frame

Air Supply System

AL Tube

Technical Data

Pipe rack system

Profile

Angle

Duct

Profile Accessory

Conveyor Frame

Air Supply System

AL Tube

Technical Data

Pipe rack system

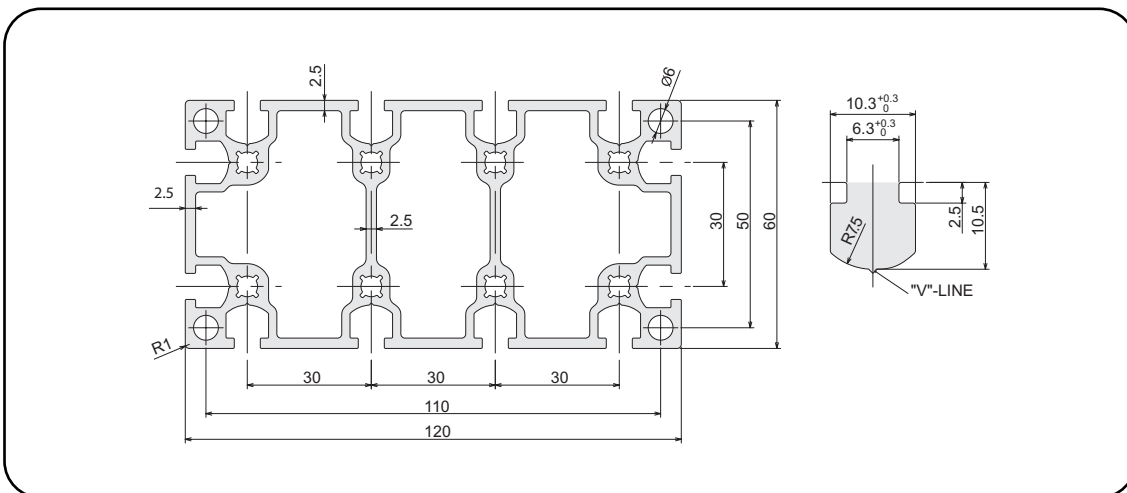
DF 60120

60 X 120



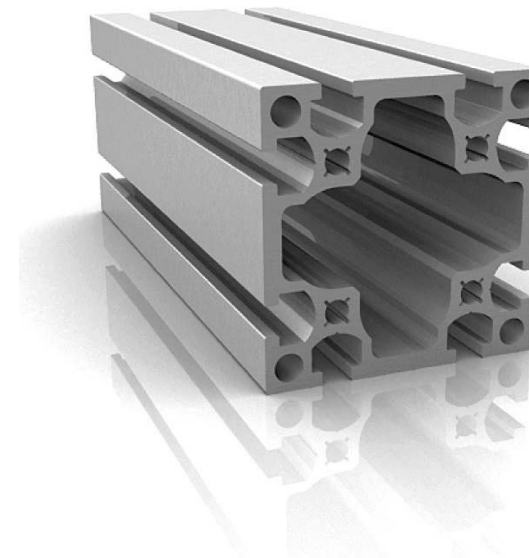
Technical Data (技術 Data)

Material (材質)	A6N01S-T5
Surface Processing (表面處理)	Anodized
Weight (重量)	4.679kg/m
Section Area (斷面積)	1,724.3132mm ²
Second Section Moment (斷面2次 Moment)	I _x = 75.53x10cm ⁴ I _y = 264.24x10cm ⁴
Specification (仕様)	4,000mm / 6,000mm
Color (色相)	Silver, Black
Application (用途)	Machine Structure Frame, Work Table, Machine Cover (기계구조물, 작업대, 기계커버)



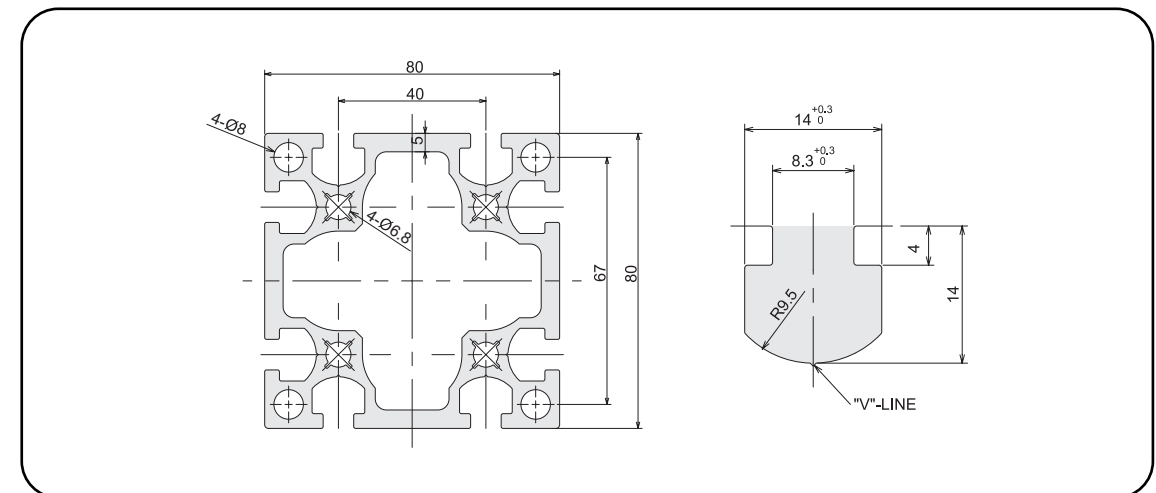
DF 8080

80 X 80



Technical Data (技術 Data)

Material (材質)	A6N01S-T5
Surface Processing (表面處理)	Anodized
Weight (重量)	5.24kg/m
Section Area (斷面積)	1,933.5mm ²
Second Section Moment (斷面2次 Moment)	I _x = 144.1x10cm ⁴ I _y = 144.1x10cm ⁴
Specification (仕様)	4,000mm / 6,000mm
Color (色相)	Silver, Black
Application (用途)	Machine Structure Frame, Work Table, Machine Cover (기계구조물, 작업대, 기계커버)



Profile
Angle
Duct
Profile Accessory
Conveyor Frame
Air Supply System
AL Tube
Technical Data
Pipe rack system

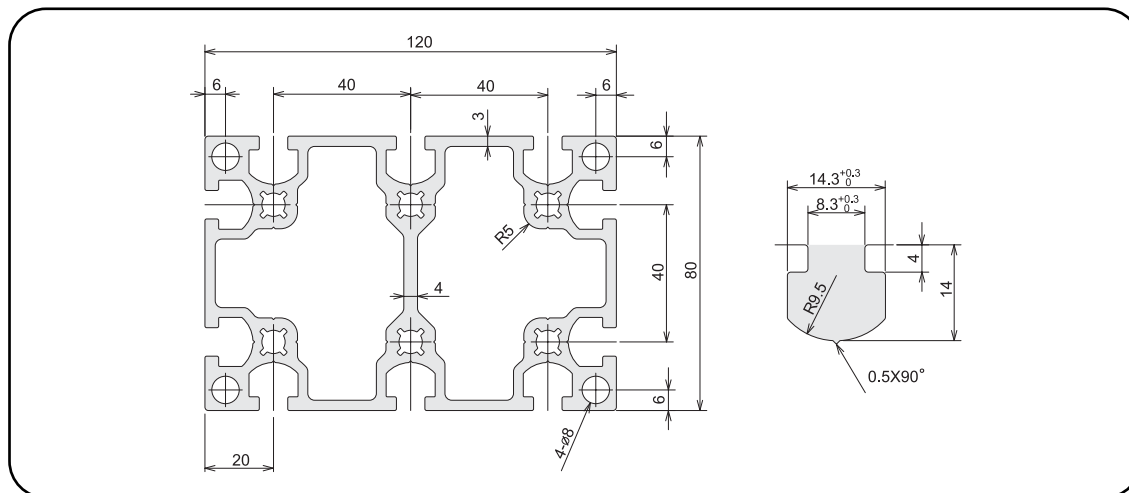
Profile
Angle
Duct
Profile Accessory
Conveyor Frame
Air Supply System
AL Tube
Technical Data
Pipe rack system

DF 801 20

80 X 120

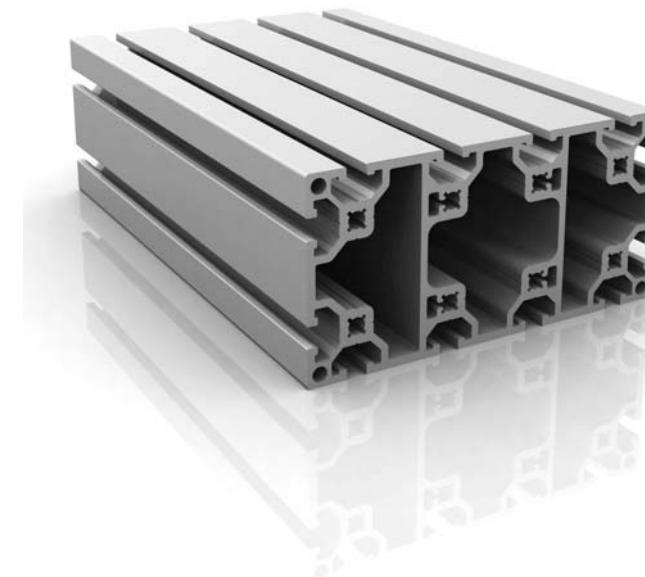


Technical Data (技術 Data)	
Material (材質)	A6N01S-T5
Surface Processing (表面處理)	Anodized
Weight (重量)	6.87kg/m
Section Area (斷面積)	2,535.4mm ²
Second Section Moment (斷面2次 Moment)	Ix=1922x10cm ⁴ Iy=393.6x10cm ⁴
Specification (仕様)	4,000mm / 6,000mm
Color (色相)	Silver, Black
Application (用途)	Machine Structure Frame, Work Table, Machine Cover (기계구조물, 작업대, 기계커버)

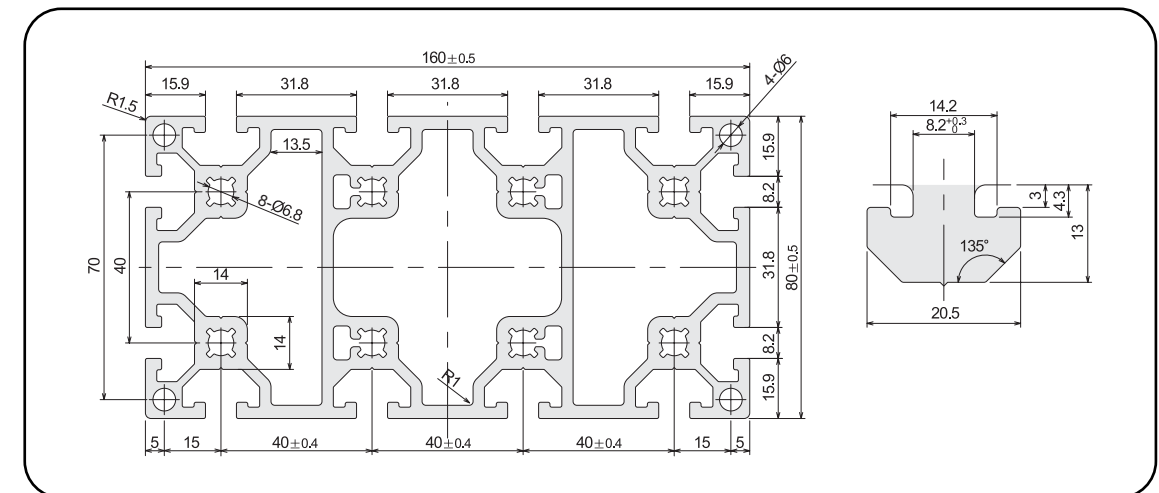


DF 801 60

80 X 160



Technical Data (技術 Data)	
Material (材質)	A6N01S-T5
Surface Processing (表面處理)	Anodized
Weight (重量)	9.58kg/m
Section Area (斷面積)	3,533.66mm ²
Second Section Moment (斷面2次 Moment)	Ix=261.117x10cm ⁴ Iy=887.99x10cm ⁴
Specification (仕様)	4,000mm / 6,000mm
Color (色相)	Silver, Black
Application (用途)	Machine Structure Frame, Work Table, Machine Cover (기계구조물, 작업대, 기계커버)



Profile
Angle
Duct
Profile Accessory
Conveyor Frame
Air Supply System
AL Tube
Technical Data
Pipe rack system

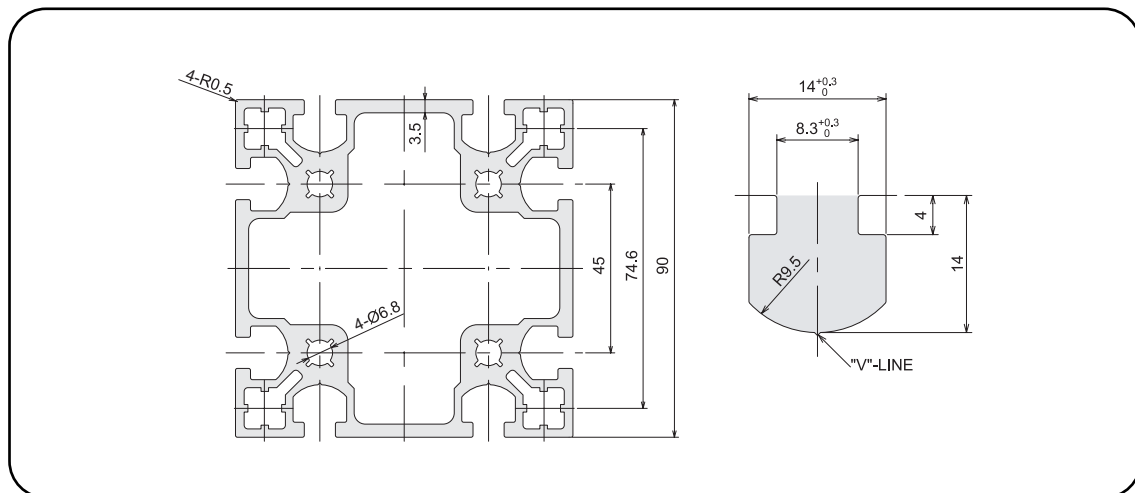
Profile
Angle
Duct
Profile Accessory
Conveyor Frame
Air Supply System
AL Tube
Technical Data
Pipe rack system

DF 9090

90 X 90



Technical Data (技術 Data)	
Material (材質)	A6N01S-T5
Surface Processing (表面處理)	Anodized
Weight (重量)	5.86kg/m
Section Area (斷面積)	2,162.8mm ²
Second Section Moment (斷面2次 Moment)	Ix=198.0x10cm ⁴ Iy=198.0x10cm ⁴
Specification (仕様)	4,000mm / 6,000mm
Color (色相)	Silver, Black
Application (用途)	Machine Structure Frame, Work Table, Machine Cover (기계구조물, 작업대, 기계커버)

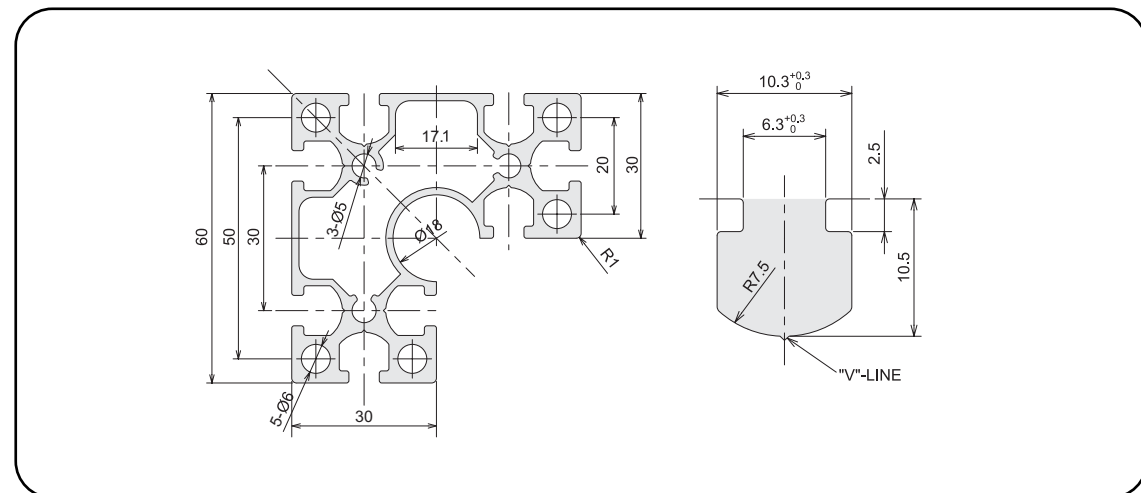


DF 6630

66 X 30



Technical Data (技術 Data)	
Material (材質)	A6N01S-T5
Surface Processing (表面處理)	Anodized
Weight (重量)	2.18kg/m
Section Area (斷面積)	804.1mm ²
Second Section Moment (斷面2次 Moment)	Ix=19.8x10cm ⁴ Iy=4.00x10cm ⁴
Specification (仕様)	4,000mm / 6,000mm
Color (色相)	Silver, Black
Application (用途)	Coner Frame, Machine Structure Frame, Work Table, Machine Cover (코너용 프로파일, 기계구조물, 작업대, 기계커버)



Profile

Angle

Duct

Profile Accessory

Conveyor Frame

Air Supply System

AL Tube

Technical Data

Pipe rack system

Profile

Angle

Duct

Profile Accessory

Conveyor Frame

Air Supply System

AL Tube

Technical Data

Pipe rack system

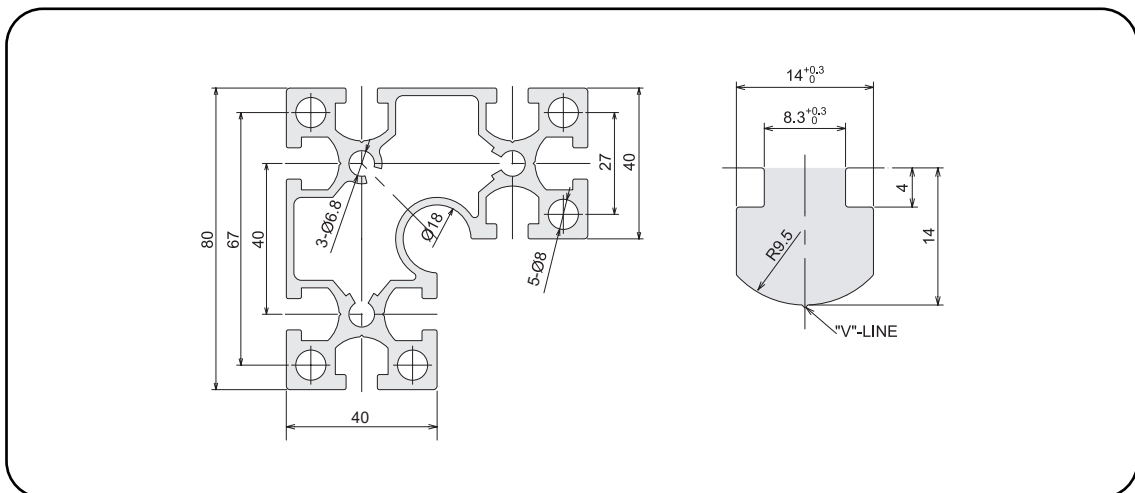


DF 8840

88 X 40



Technical Data (技術 Data)	
Material (材質)	A6N01S-T5
Surface Processing (表面處理)	Anodized
Weight (重量)	4.01kg/m
Section Area (斷面積)	1,479.7mm ²
Second Section Moment (斷面2次 Moment)	Ix=63.8x10cm ⁴ Iy=128.4x10cm ⁴
Specification (仕様)	4,000mm / 6,000mm
Color (色相)	Silver, Black
Application (用途)	Coner Frame, Machine Structure Frame, Work Table, Machine Cover (코너용 브로파일, 기계구조물, 작업대, 기계커버)

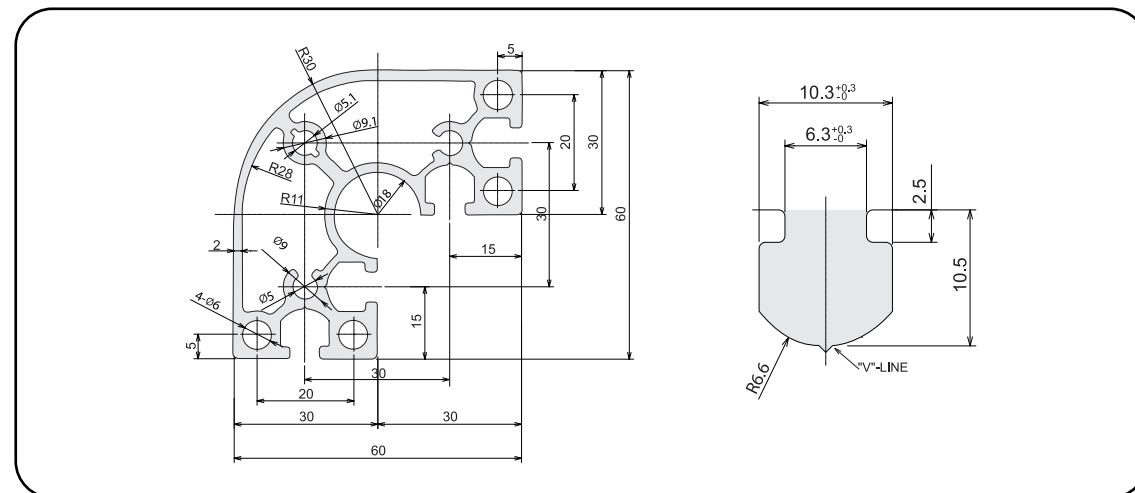


DFR 6060

60 X 60



Technical Data (技術 Data)	
Material (材質)	A6N01S-T5
Surface Processing (表面處理)	Anodized
Weight (重量)	2.1kg/m
Section Area (斷面積)	772.6mm ²
Second Section Moment (斷面2次 Moment)	Ix=13.8x10cm ⁴ Iy=40.2x10cm ⁴
Specification (仕様)	4,000mm / 6,000mm
Color (色相)	Silver, Black
Application (用途)	Machine Structure Frame, Work Table, Machine Cover (기계구조물, 작업대, 기계커버)



Profile
Angle
Duct
Profile Accessory
Conveyor Frame
Air Supply System
AL Tube
Technical Data
Pipe rack system

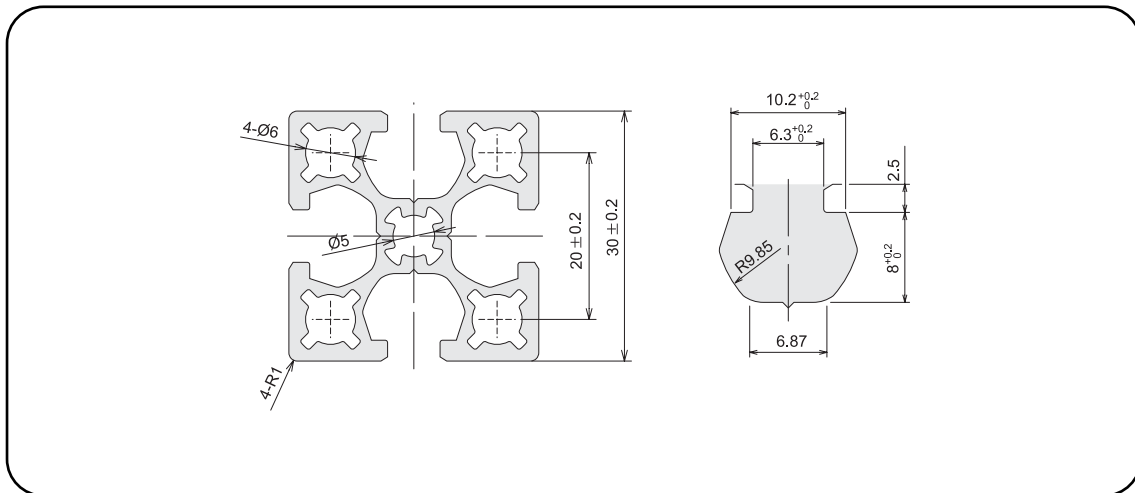
Profile
Angle
Duct
Profile Accessory
Conveyor Frame
Air Supply System
AL Tube
Technical Data
Pipe rack system

DNF 3030

30 X 30



Technical Data (技術 Data)	
Material (材質)	A6N01S-T5
Surface Processing (表面處理)	Anodized
Weight (重量)	0.85kg/m
Section Area (斷面積)	313.6mm ²
Second Section Monent (斷面2次 Moment)	Ix=3.02x10cm ⁴ Iy=3.02x10cm ⁴
Specification (仕様)	4,000mm / 6,000mm
Color (色相)	Silver, Black
Application (用途)	Machine Structure Frame, Work Table, Machine Cover (기계구조물, 작업대, 기계커버)

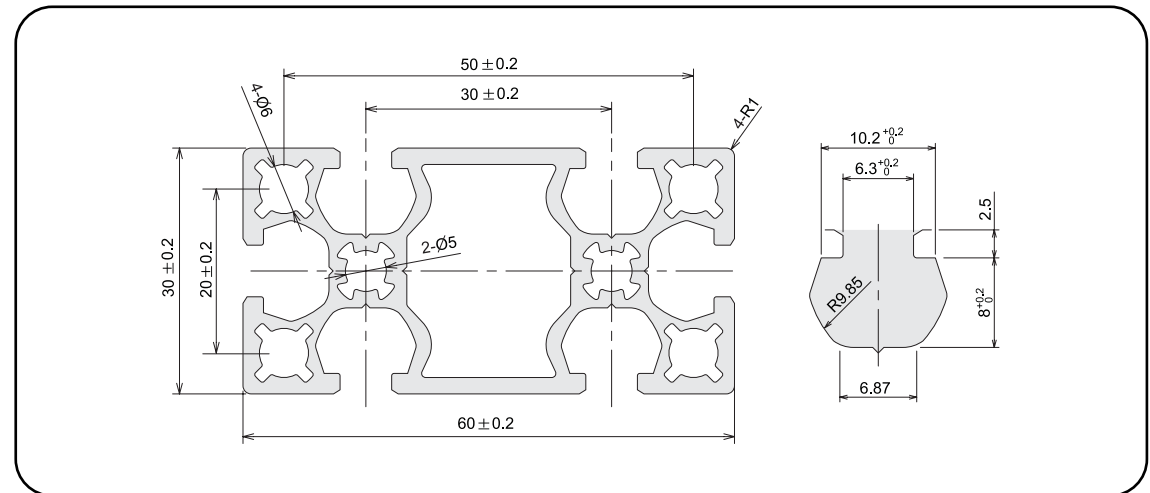


DNF 3060

30 X 60

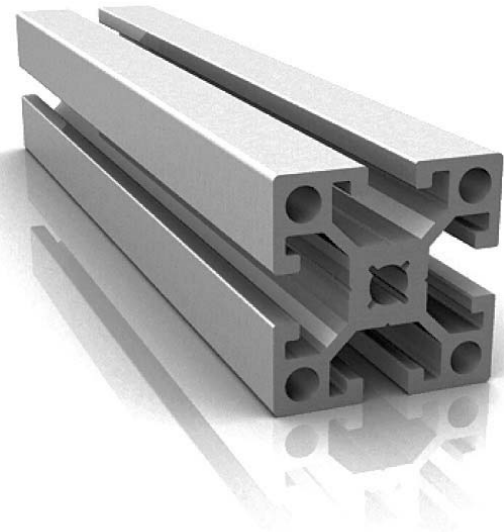


Technical Data (技術 Data)	
Material (材質)	A6N01S-T5
Surface Processing (表面處理)	Anodized
Weight (重量)	1.45kg/m
Section Area (斷面積)	535.34mm ²
Second Section Monent (斷面2次 Moment)	Ix=5.5x10cm ⁴ Iy=20.2x10cm ⁴
Specification (仕様)	4,000mm / 6,000mm
Color (色相)	Silver, Black
Application (用途)	Machine Structure Frame, Work Table, Machine Cover (기계구조물, 작업대, 기계커버)



Profile
Angle
Duct
Profile Accessory
Conveyor Frame
Air Supply System
AL Tube
Technical Data
Pipe rack system

Profile
Angle
Duct
Profile Accessory
Conveyor Frame
Air Supply System
AL Tube
Technical Data
Pipe rack system

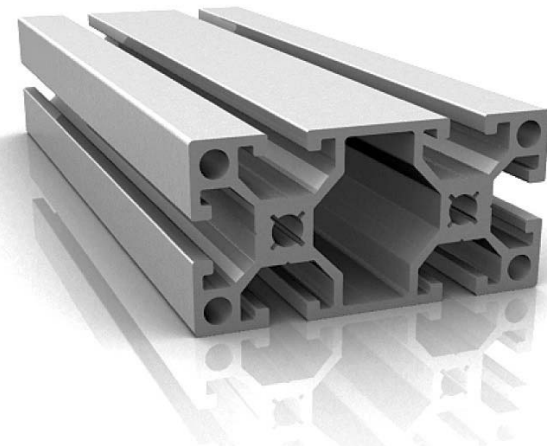
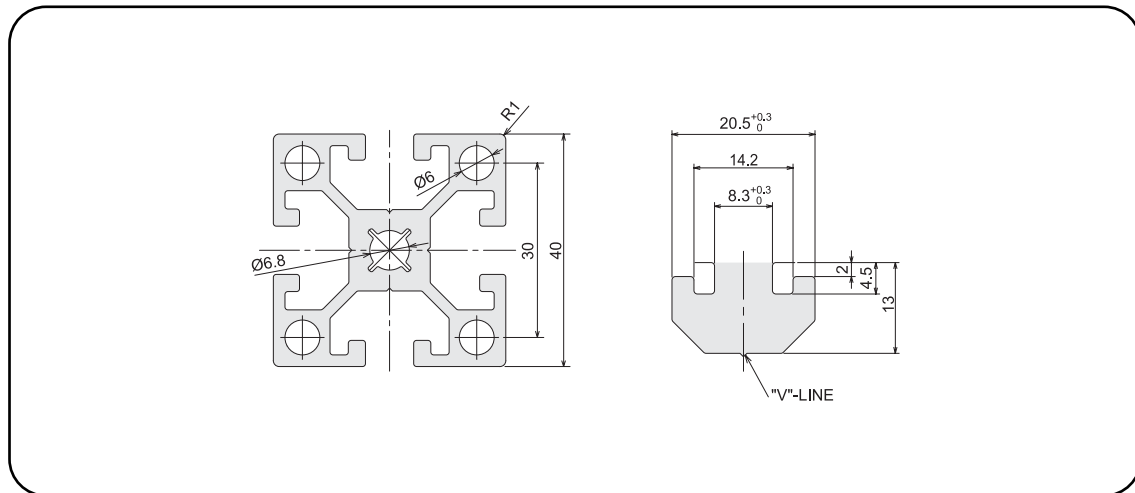


DNF 4040

40 X 40



Technical Data (技術 Data)	
Material (材質)	A6N01S-T5
Surface Processing (表面處理)	Anodized
Weight (重量)	1.68kg/m
Section Area (斷面積)	621.0mm ²
Second Section Moment (斷面2次 Moment)	Ix=10.0x10cm ⁴ Iy=10.0x10cm ⁴
Specification (仕様)	4,000mm / 6,000mm
Color (色相)	Silver, Black
Application (用途)	Machine Structure Frame, Work Table, Machine Cover (기계구조물, 작업대, 기계커버)

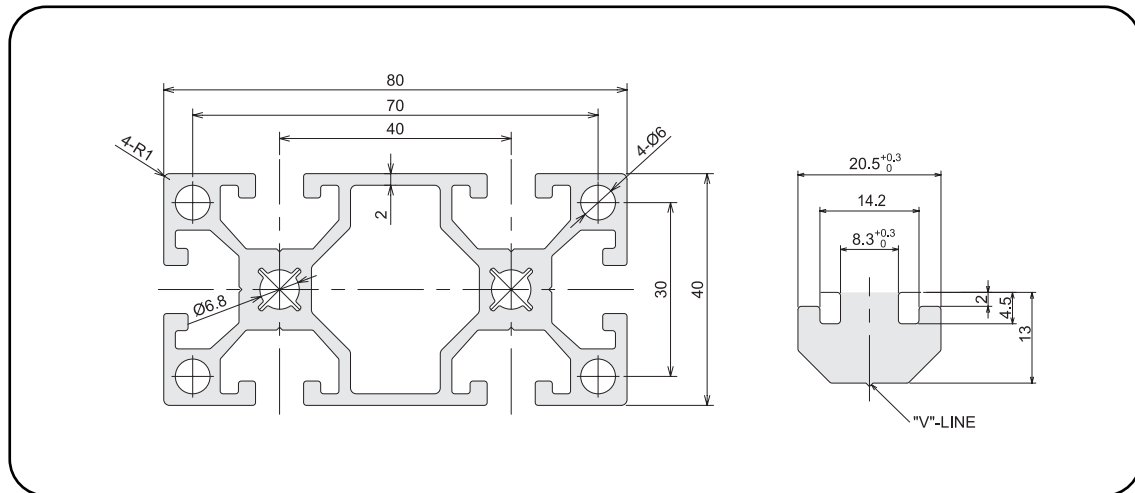


DNF 4080

40 X 80



Technical Data (技術 Data)	
Material (材質)	A6N01S-T5
Surface Processing (表面處理)	Anodized
Weight (重量)	2.72kg/m
Section Area (斷面積)	1,005.1mm ²
Second Section Moment (斷面2次 Moment)	Ix=17.2x10cm ⁴ Iy=68.4x10cm ⁴
Specification (仕様)	4,000mm / 6,000mm
Color (色相)	Silver, Black
Application (用途)	Machine Structure Frame, Work Table, Machine Cover (기계구조물, 작업대, 기계커버)



Profile

Angle

Duct

Profile Accessory

Conveyor Frame

Air Supply System

AL Tube

Technical Data

Pipe rack system

Profile

Angle

Duct

Profile Accessory

Conveyor Frame

Air Supply System

AL Tube

Technical Data

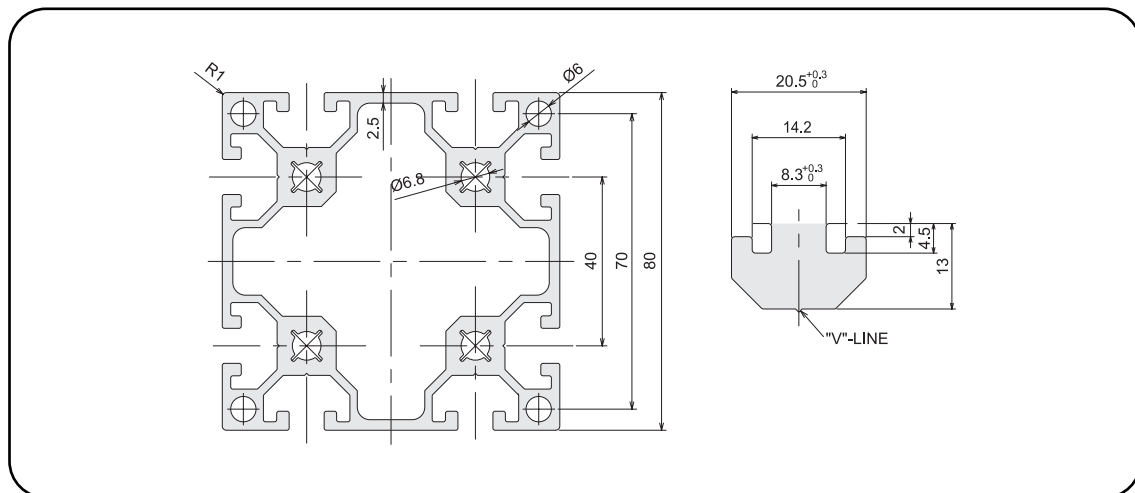
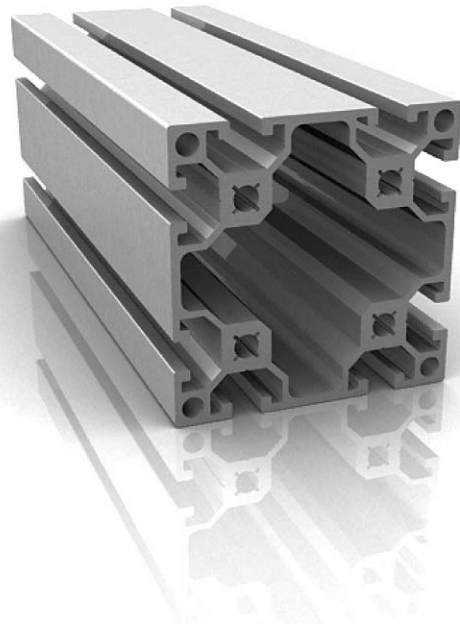
Pipe rack system

DNF 8080

80 X 80



Technical Data (技術 Data)	
Material (材質)	A6N01S-T5
Surface Processing (表面處理)	Anodized
Weight (重量)	4.36kg/m
Section Area (斷面積)	1,607.6mm ²
Second Section Monent (斷面2次 Moment)	Ix=118.3x10cm ⁴ Iy=118.3x10cm ⁴
Specification (仕様)	4,000mm / 6,000mm
Color (色相)	Silver, Black
Application (用途)	Machine Structure Frame, Work Table, Machine Cover (기계구조물, 작업대, 기계커버)

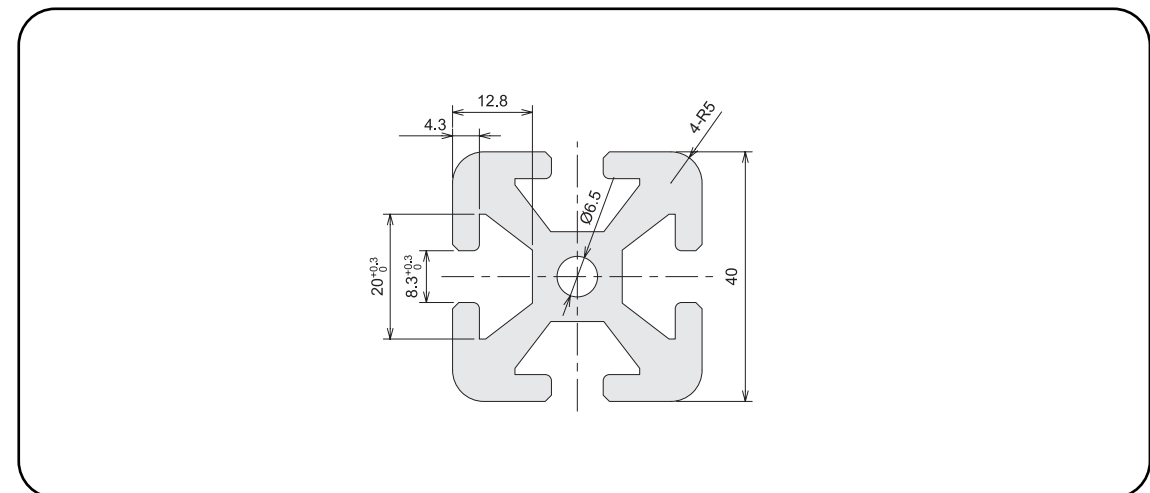


DHF 4040

40 X 40



Technical Data (技術 Data)	
Material (材質)	A6N01S-T5
Surface Processing (表面處理)	Anodized
Weight (重量)	2.35kg/m
Section Area (斷面積)	869.0mm ²
Second Section Monent (斷面2次 Moment)	Ix=13.7x10cm ⁴ Iy=13.7x10cm ⁴
Specification (仕様)	4,000mm / 6,000mm
Color (色相)	Silver, Black
Application (用途)	Machine Structure Frame, Work Table, Machine Cover (기계구조물, 작업대, 기계커버)



Profile

Angle

Duct

Profile Accessory

Conveyor Frame

Air Supply System

AL Tube

Technical Data

Pipe rack system

Profile

Angle

Duct

Profile Accessory

Conveyor Frame

Air Supply System

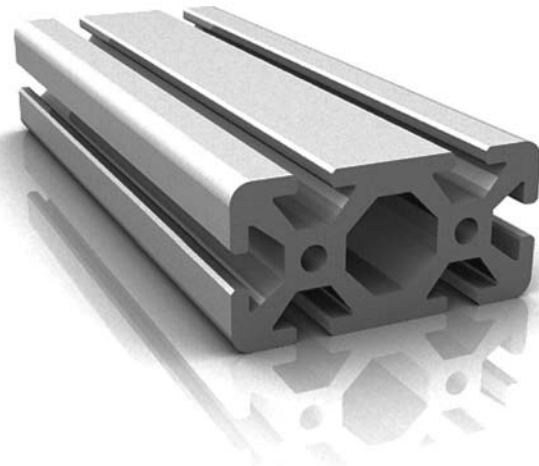
AL Tube

Technical Data

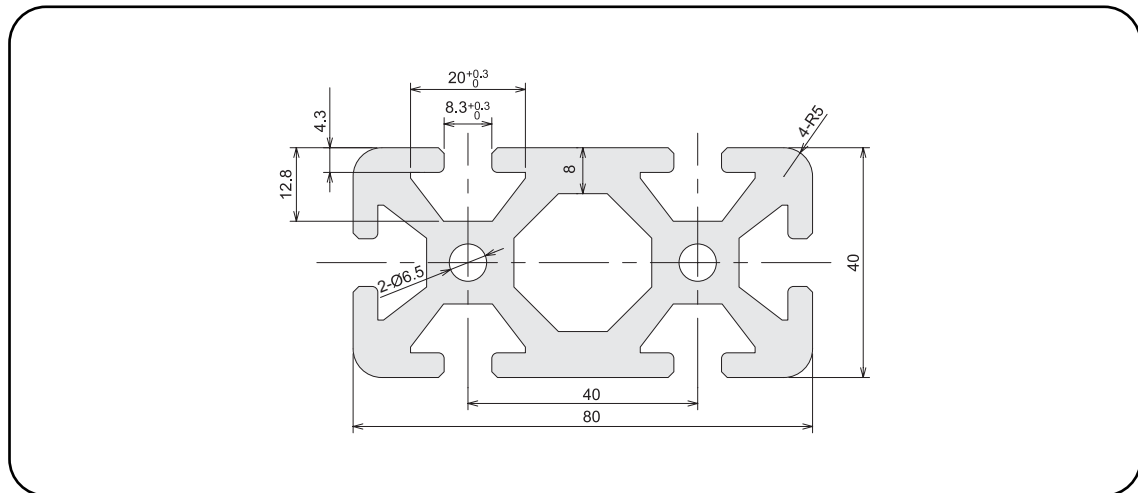
Pipe rack system

DHF 4080

40 X 80

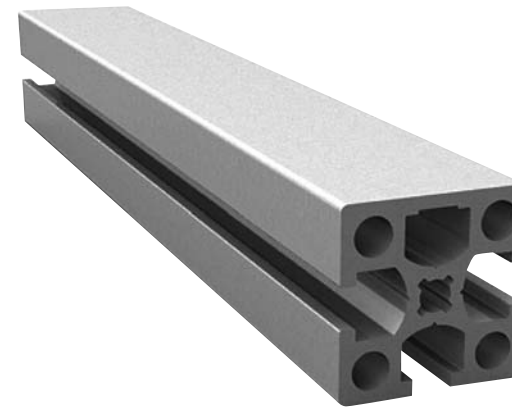


Technical Data (技術 Data)	
Material (材質)	A6N01S-T5
Surface Processing (表面處理)	Anodized
Weight (重量)	4.46kg/m
Section Area (斷面積)	1,646.8mm ²
Second Section Moment (斷面2次 Moment)	Ix=27.1x10cm ⁴ Iy=97.5x10cm ⁴
Specification (仕様)	4,000mm / 6,000mm
Color (色相)	Silver, Black
Application (用途)	Machine Structure Frame, Work Table, Machine Cover, (기계구조물, 작업대, 기계커버)

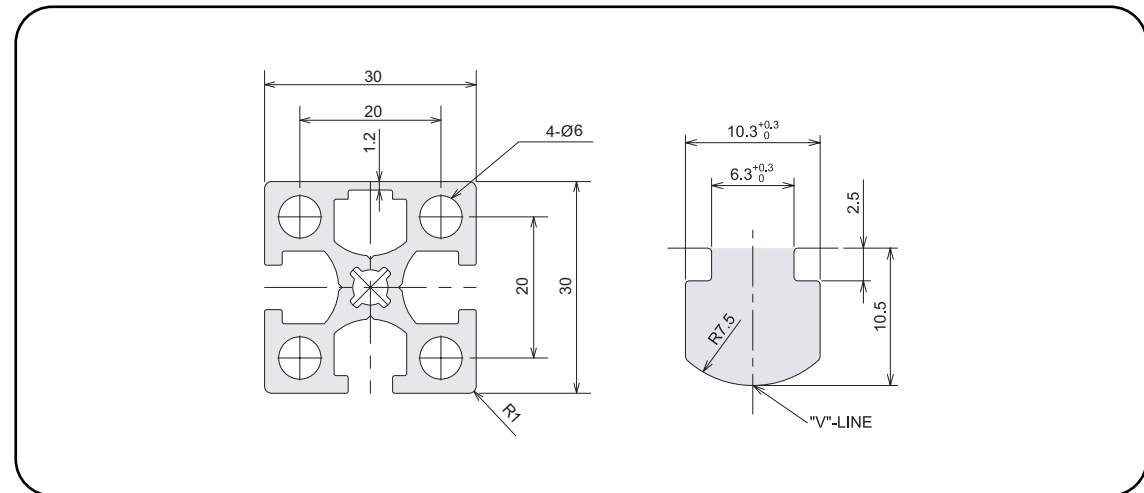


DCF 3030-1

30 X 30



Technical Data (技術 Data)	
Material (材質)	A6N01S-T5
Surface Processing (表面處理)	Anodized
Weight (重量)	1.10kg/m
Section Area (斷面積)	405.7mm ²
Second Section Moment (斷面2次 Moment)	Ix=3.83x10cm ⁴ Iy=3.59x10cm ⁴
Specification (仕様)	4,000mm / 6,000mm
Color (色相)	Silver, Black
Application (用途)	Prevention of Foreign Material Machine Structure Frame, Work Table, Machine Cover (제외 후 이물질 유입방지 타원, 기계구조물, 작업대, 기계커버)



Profile

Angle

Duct

Profile Accessory

Conveyor Frame

Air Supply System

AL Tube

Technical Data

Pipe rack system

Profile

Angle

Duct

Profile Accessory

Conveyor Frame

Air Supply System

AL Tube

Technical Data

Pipe rack system

DCF 3030-2

30 X 30



Technical Data (技術 Data)

Material (材質)	A6N01S-T5
Surface Processing (表面處理)	Anodized
Weight (重量)	1.10kg/m
Section Area (斷面積)	407.2mm ²
Second Section Moment (斷面2次 Moment)	Ix=3.7x10cm ⁴ Iy=3.7x10cm ⁴
Specification (仕様)	4,000mm / 6,000mm
Color (色相)	Silver, Black
Application (用途)	Prevention of Foreign Material Machine Structure Frame, Work Table, Machine Cover, (제작 후 이물질 유입방지 타임, 기계구조물, 작업대, 기계커버)

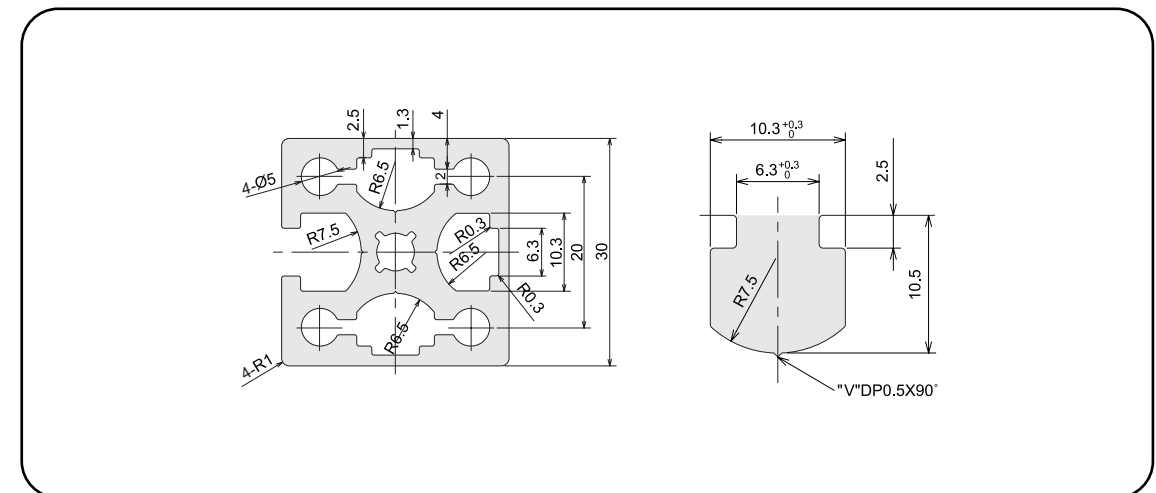
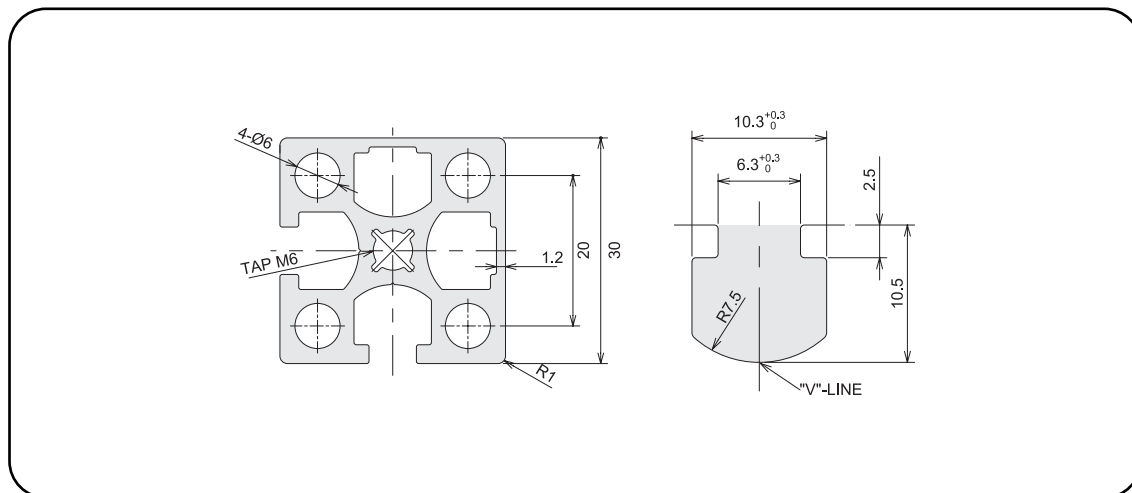
DCF 3030-3

30 X 30



Technical Data (技術 Data)

Material (材質)	A6N01S-T5
Surface Processing (表面處理)	Anodized
Weight (重量)	1.28kg/m
Section Area (斷面積)	470.4mm ²
Second Section Moment (斷面2次 Moment)	Ix=4.2x10cm ⁴ Iy=4.1x10cm ⁴
Specification (仕様)	4,000mm / 6,000mm
Color (色相)	Silver, Black
Application (用途)	Prevention of Foreign Material Machine Structure Frame, Work Table, Machine Cover (제작 후 이물질 유입방지 타임, 기계구조물, 작업대, 기계커버)



Profile

Angle

Duct

Profile Accessory

Conveyor Frame

Air Supply System

AL Tube

Technical Data

Pipe rack system

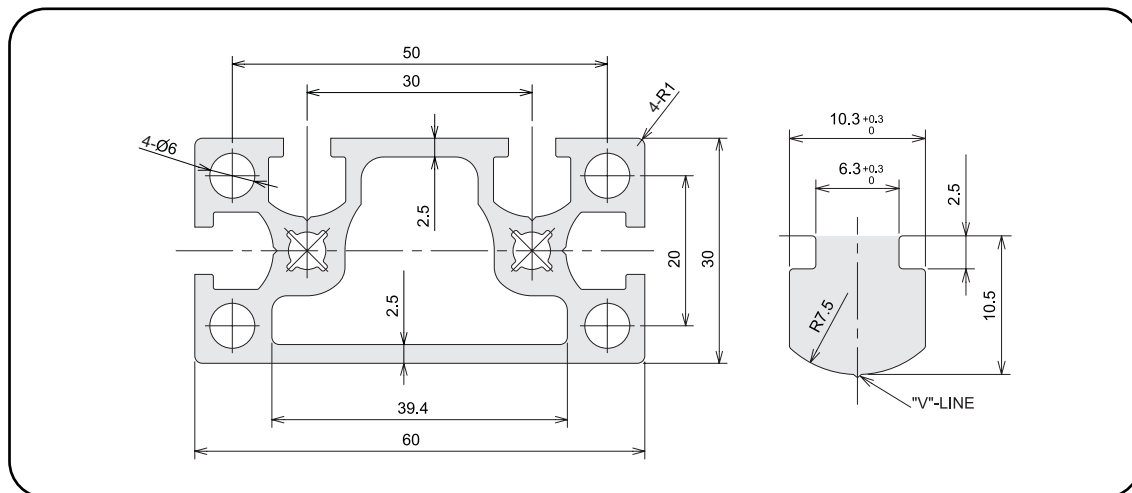
DCF 3060-1

30 X 60



Technical Data (技術 Data)

Material (材質)	A6N01S-T5
Surface Processing (表面處理)	Anodized
Weight (重量)	1.84kg/m
Section Area (斷面積)	680.31mm ²
Second Section Moment (斷面2次 Moment)	Ix=6.9x10cm ⁴ Iy=25.97x10cm ⁴
Specification (仕様)	4,000mm / 6,000mm
Color (色相)	Silver, Black
Application (用途)	Prevention of Foreign Material Machine Structure Frame, Work Table, Machine Cover (제작 후 이물질 유입방지 타임, 기계구조물, 작업대, 기계커버)



Profile

Angle

Duct

Profile Accessory

Conveyor Frame

Air Supply System

AL Tube

Technical Data

Pipe rack system

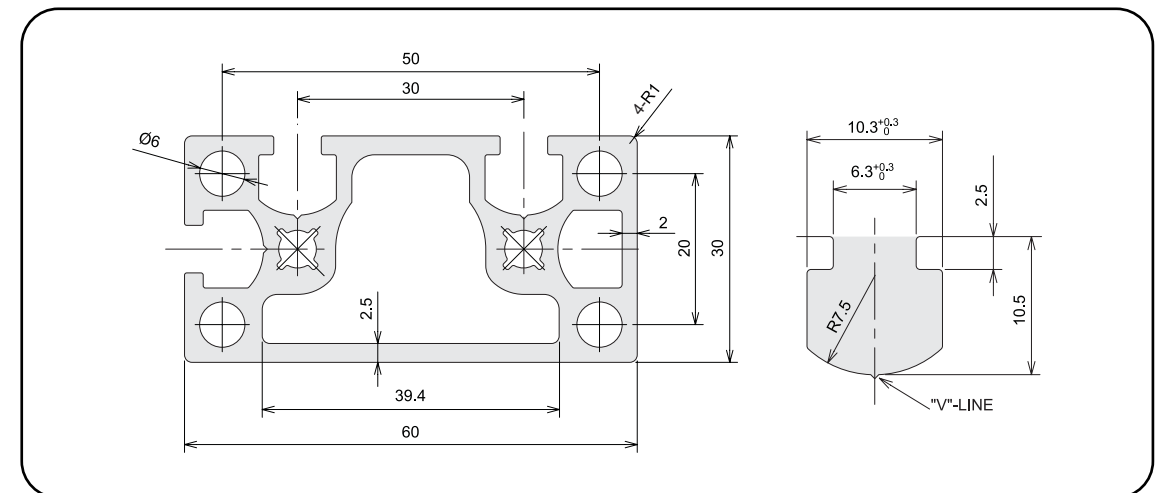
DCF 3060-2

30 X 60



Technical Data (技術 Data)

Material (材質)	A6N01S-T5
Surface Processing (表面處理)	Anodized
Weight (重量)	1.87kg/m
Section Area (斷面積)	691.4mm ²
Second Section Moment (斷面2次 Moment)	Ix=6.9x10cm ⁴ Iy=26.9x10cm ⁴
Specification (仕様)	4,000mm / 6,000mm
Color (色相)	Silver, Black
Application (用途)	Prevention of Foreign Material Machine Structure Frame, Work Table, Machine Cover (제작 후 이물질 유입방지 타임, 기계구조물, 작업대, 기계커버)



Profile

Angle

Duct

Profile Accessory

Conveyor Frame

Air Supply System

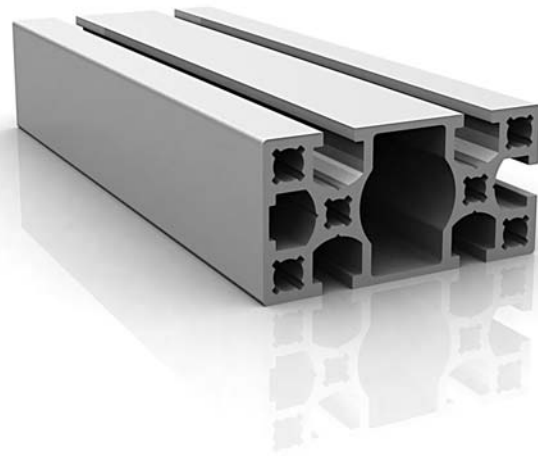
AL Tube

Technical Data

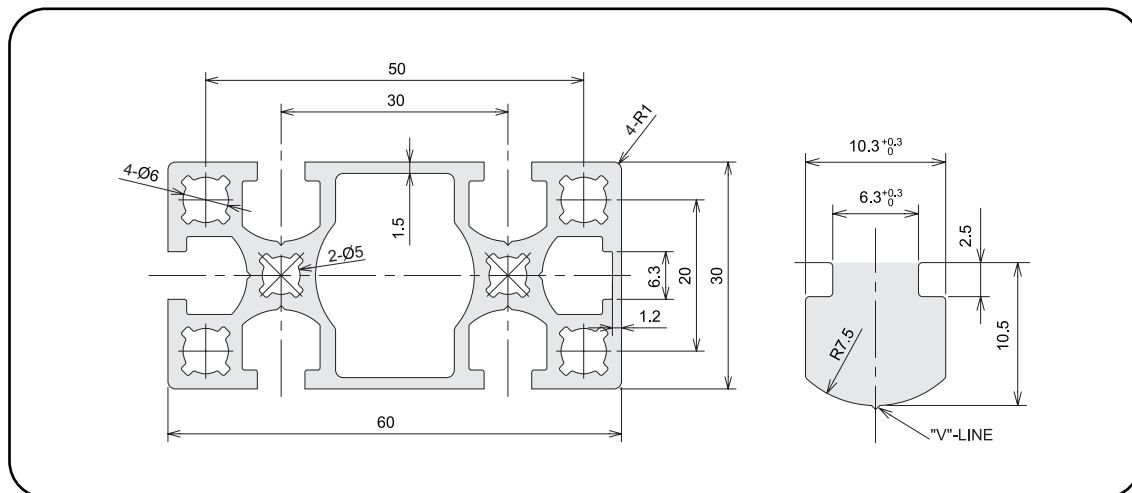
Pipe rack system

SDNF 3060-S1

30 X 60



Technical Data (技術 Data)	
Material (材質)	A6N01S-T5
Surface Processing (表面處理)	Anodized
Weight (重量)	1.61kg/m
Section Area (斷面積)	594.8mm ²
Second Section Monent (斷面2次 Moment)	Ix=5.6x10cm ⁴ Iy=23.8x10cm ⁴
Specification (仕様)	4,000mm / 6,000mm
Color (色相)	Silver, Black
Application (用途)	Prevention of Foreign Material Machine Structure Frame, Work Table, Machine Cover (제작 후 이물질 유입방지 타임, 기계구조물, 작업대, 기계커버)



Profile

Angle

Duct

Profile Accessory

Conveyor Frame

Air Supply System

AL Tube

Technical Data

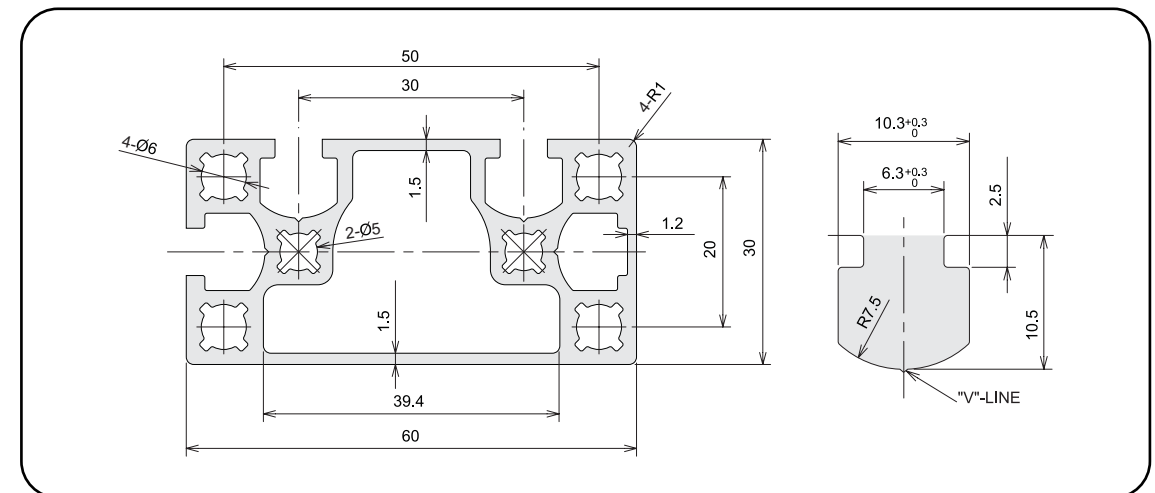
Pipe rack system

SDNF 3060-1

30 X 60



Technical Data (技術 Data)	
Material (材質)	A6N01S-T5
Surface Processing (表面處理)	Anodized
Weight (重量)	1.53kg/m
Section Area (斷面積)	563.42mm ²
Second Section Monent (斷面2次 Moment)	Ix=5.61x10cm ⁴ Iy=23.73x10cm ⁴
Specification (仕様)	4,000mm / 6,000mm
Color (色相)	Silver, Black
Application (用途)	Prevention of Foreign Material Machine Structure Frame, Work Table, Machine Cover (제작 후 이물질 유입방지 타임, 기계구조물, 작업대, 기계커버)



Profile

Angle

Duct

Profile Accessory

Conveyor Frame

Air Supply System

AL Tube

Technical Data

Pipe rack system

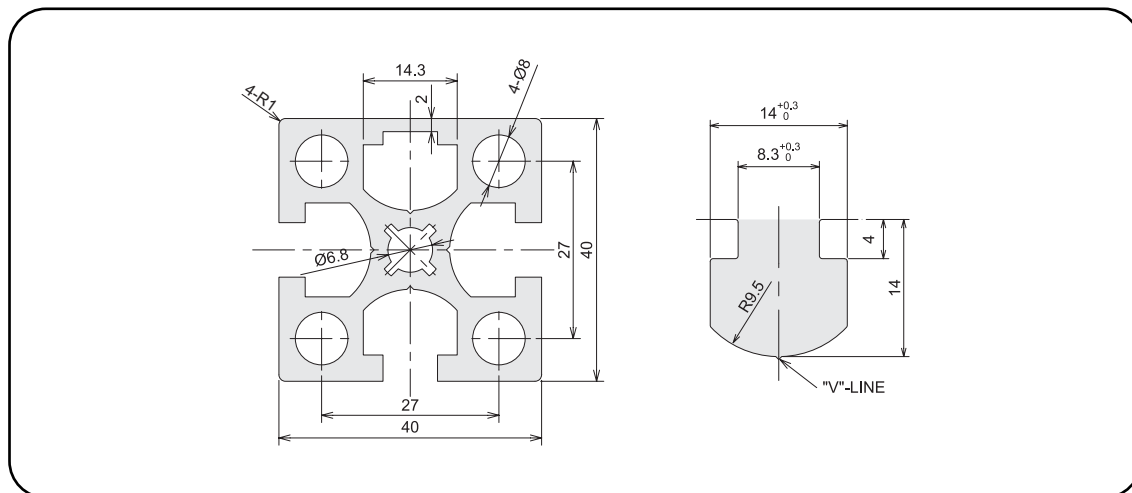


DCF 4040-1

40 X 40



Technical Data (技術 Data)	
Material (材質)	A6N01S-T5
Surface Processing (表面處理)	Anodized
Weight (重量)	1.95kg/m
Section Area (斷面積)	720.4mm ²
Second Section Monent (斷面2次 Moment)	Ix=11.4x10cm ⁴ Iy=12.0x10cm ⁴
Specification (仕様)	4,000mm / 6,000mm
Color (色相)	Silver, Black
Application (用途)	Prevention of Foreign Material Machine Structure Frame, Work Table, Machine Cover (제작 후 이물질 유입방지 타임, 기계구조물, 작업대, 기계커버)



Profile

Angle

Duct

Profile Accessory

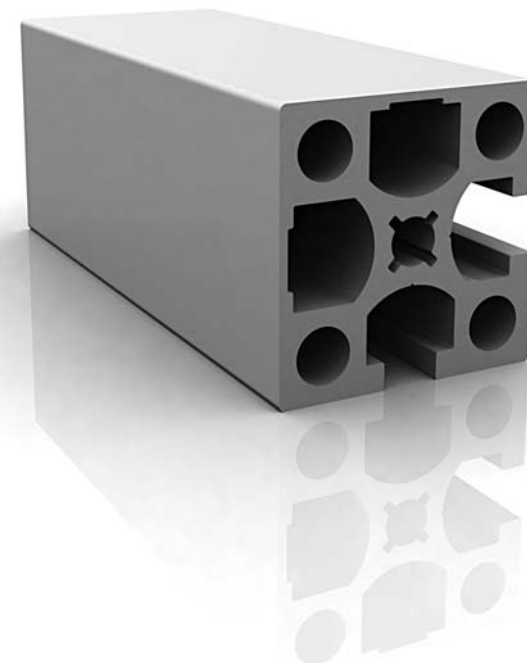
Conveyor Frame

Air Supply System

AL Tube

Technical Data

Pipe rack system

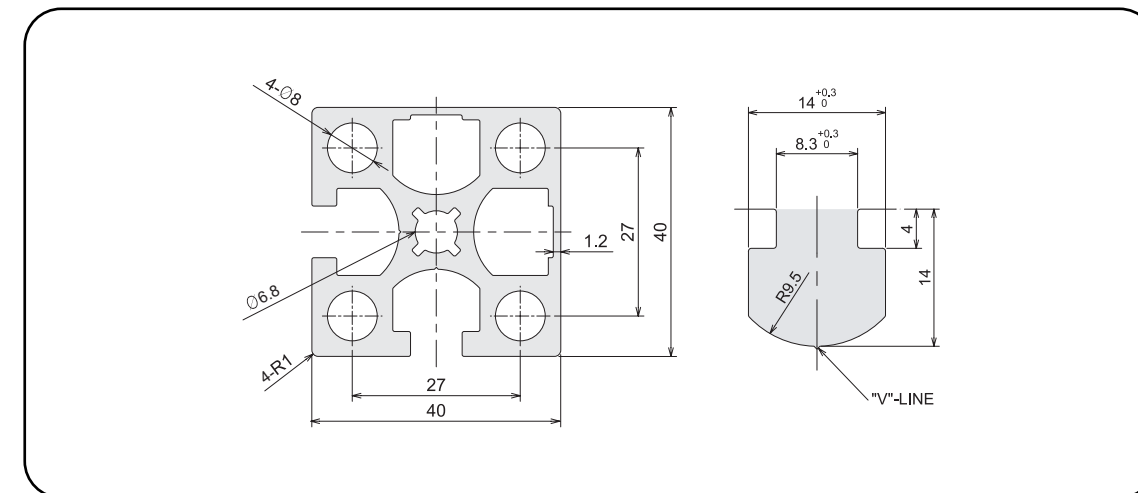


DCF 4040-2

40 X 40



Technical Data (技術 Data)	
Material (材質)	A6N01S-T5
Surface Processing (表面處理)	Anodized
Weight (重量)	1.92kg/m
Section Area (斷面積)	710.01mm ²
Second Section Monent (斷面2次 Moment)	Ix=11.5x10cm ⁴ Iy=11.5x10cm ⁴
Specification (仕様)	4,000mm / 6,000mm
Color (色相)	Silver, Black
Application (用途)	Prevention of Foreign Material Machine Structure Frame, Work Table, Machine Cover (제작 후 이물질 유입방지 타임, 기계구조물, 작업대, 기계커버)



Profile

Angle

Duct

Profile Accessory

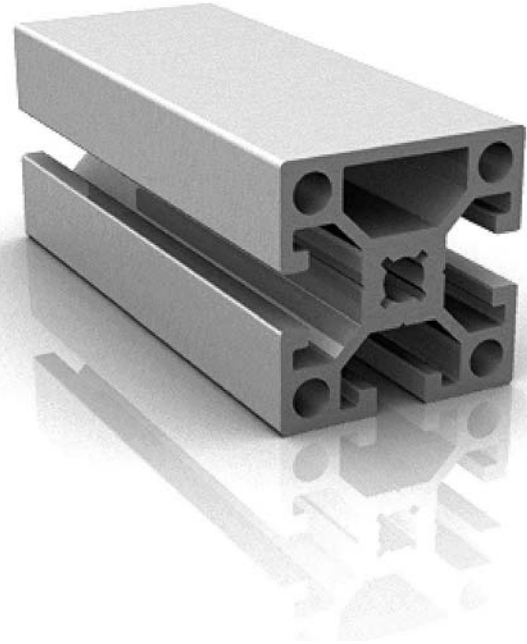
Conveyor Frame

Air Supply System

AL Tube

Technical Data

Pipe rack system

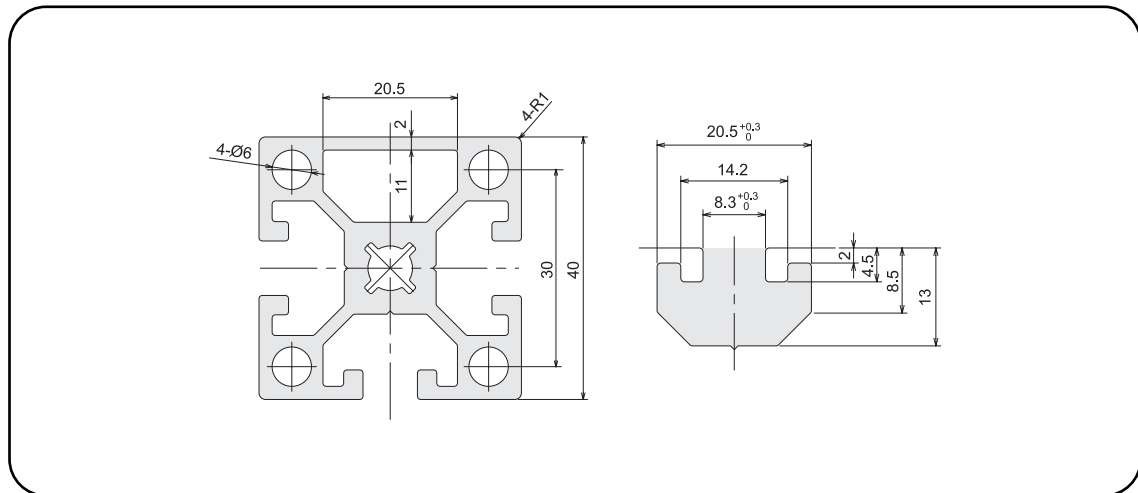


DCNF 4040-1

40 X 40



Technical Data (技術 Data)	
Material (材質)	A6N01S-T5
Surface Processing (表面處理)	Anodized
Weight (重量)	1.69kg/m
Section Area (斷面積)	622.34mm ²
Second Section Monent (斷面2次 Moment)	Ix=10.2x10cm ⁴ Iy=9.95x10cm ⁴
Specification (仕様)	4,000mm / 6,000mm
Color (色相)	Silver, Black
Application (用途)	Prevention of Foreign Material Machine Structure Frame, Work Table, Machine Cover (제작 후 이물질 유입방지 타임, 기계구조물, 작업대, 기계커버)



Profile

Angle

Duct

Profile Accessory

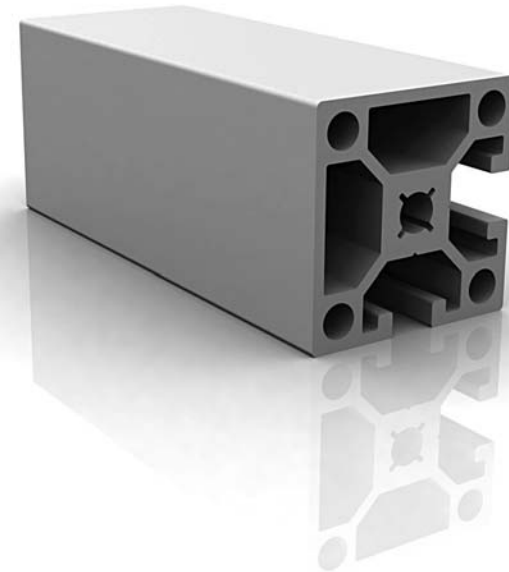
Conveyor Frame

Air Supply System

AL Tube

Technical Data

Pipe rack system

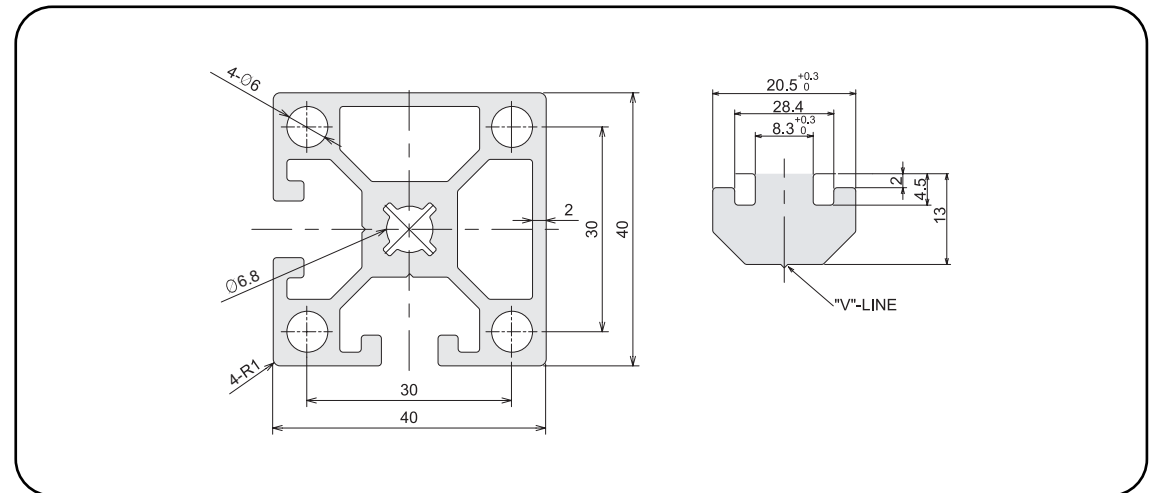


DCNF 4040-2

40 X 40



Technical Data (技術 Data)	
Material (材質)	A6N01S-T5
Surface Processing (表面處理)	Anodized
Weight (重量)	1.69kg/m
Section Area (斷面積)	624.7mm ²
Second Section Monent (斷面2次 Moment)	Ix=10.1x10cm ⁴ Iy=10.1x10cm ⁴
Specification (仕様)	4,000mm / 6,000mm
Color (色相)	Silver, Black
Application (用途)	Prevention of Foreign Material Machine Structure Frame, Work Table, Machine Cover (제작 후 이물질 유입방지 타임, 기계구조물, 작업대, 기계커버)



Profile
Angle
Duct
Profile Accessory
Conveyor Frame
Air Supply System
AL Tube
Technical Data
Pipe rack system

Profile
Angle
Duct
Profile Accessory
Conveyor Frame
Air Supply System
AL Tube
Technical Data
Pipe rack system

DCNF 4040-L2

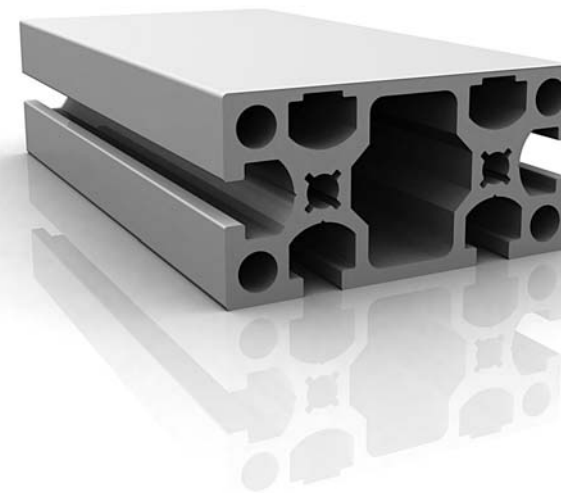
40 X 40



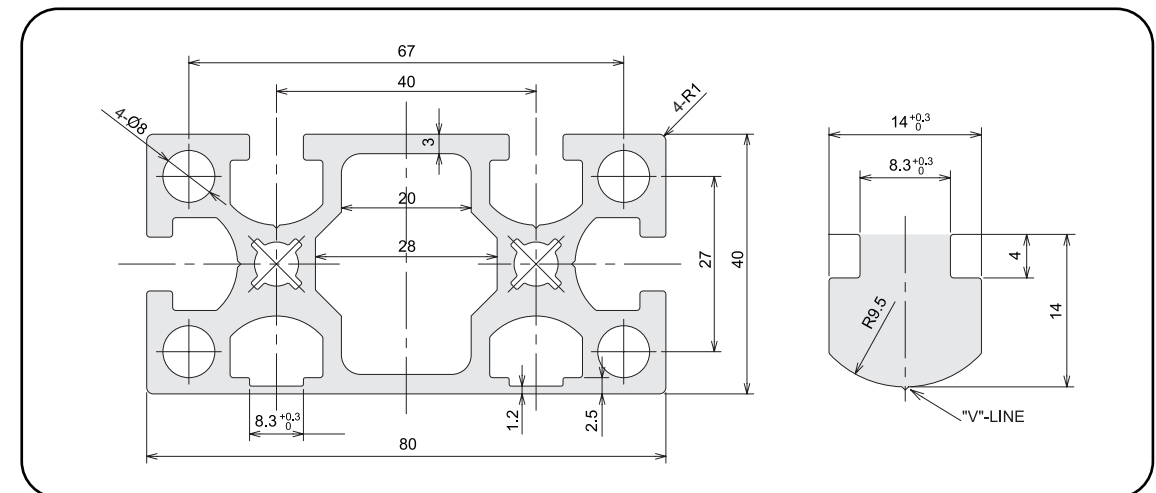
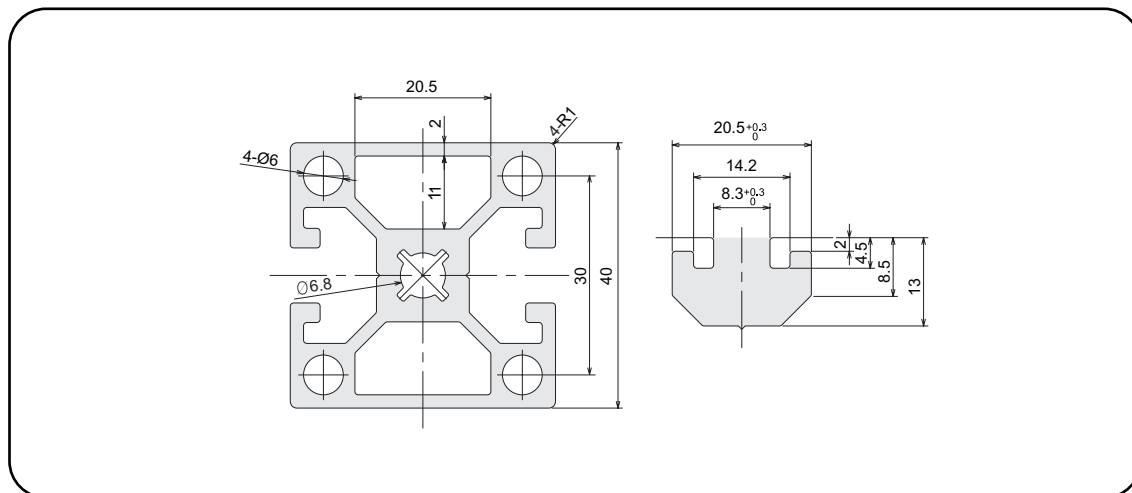
Technical Data (技術 Data)	
Material (材質)	A6N01S-T5
Surface Processing (表面處理)	Anodized
Weight (重量)	1.69kg/m
Section Area (斷面積)	621.6mm ²
Second Section Moment (斷面2次 Moment)	Ix=9.91x10cm ⁴ Iy=10.37x10cm ⁴
Specification (仕様)	4,000mm / 6,000mm
Color (色相)	Silver, Black
Application (用途)	Prevention of Foreign Material Machine Structure Frame, Work Table, Machine Cover (제작 후 이물질 유입방지 타임, 기계구조물, 작업대, 기계커버)

DCF 4080-1

40 X 80



Technical Data (技術 Data)	
Material (材質)	A6N01S-T5
Surface Processing (表面處理)	Anodized
Weight (重量)	3.32kg/m
Section Area (斷面積)	1225.5mm ²
Second Section Moment (斷面2次 Moment)	Ix=21.1x10cm ⁴ Iy=81x10cm ⁴
Specification (仕様)	4,000mm / 6,000mm
Color (色相)	Silver, Black
Application (用途)	Prevention of Foreign Material Machine Structure Frame, Work Table, Machine Cover (제작 후 이물질 유입방지 타임, 기계구조물, 작업대, 기계커버)

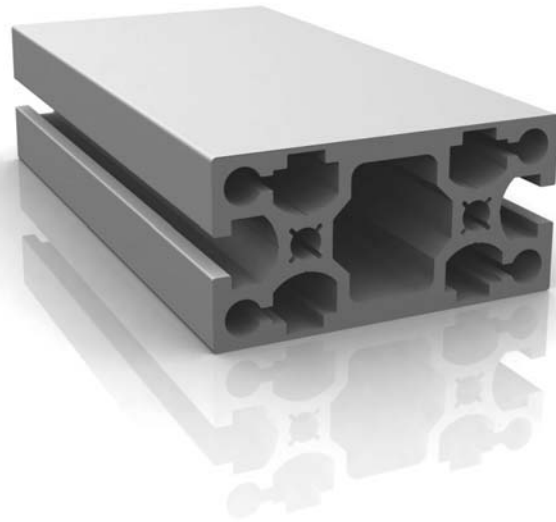


Profile
Angle
Duct
Profile Accessory
Conveyor Frame
Air Supply System
AL Tube
Technical Data
Pipe rack system

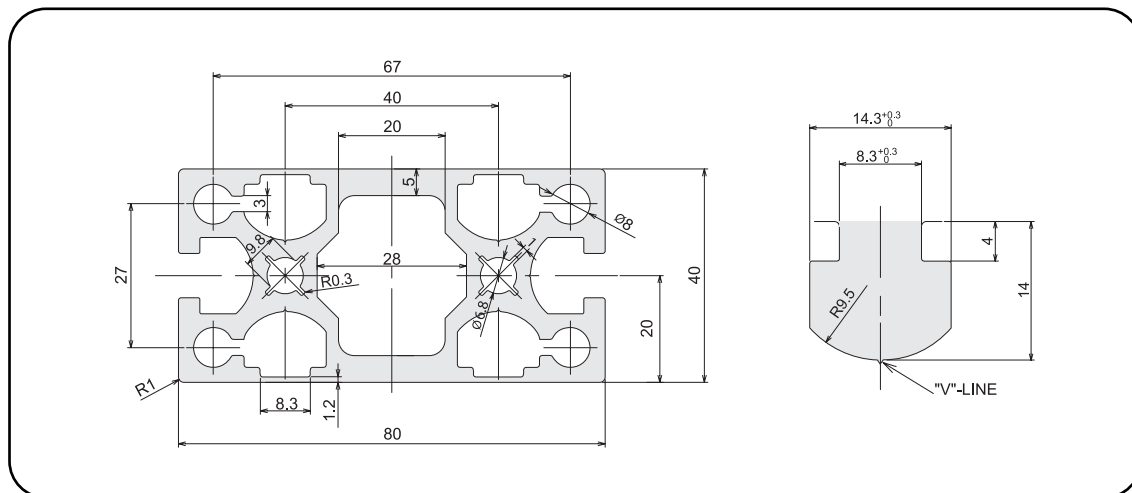
Profile
Angle
Duct
Profile Accessory
Conveyor Frame
Air Supply System
AL Tube
Technical Data
Pipe rack system

DCF 4080-L2

40 X 80

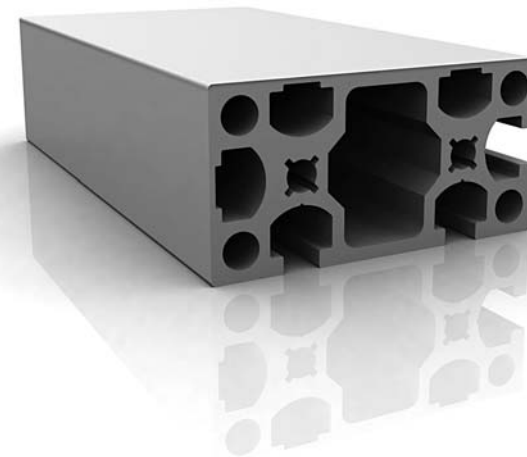


Technical Data (技術 Data)	
Material (材質)	A6N01S-T5
Surface Processing (表面處理)	Anodized
Weight (重量)	3.4kg/m
Section Area (斷面積)	1263.1mm ²
Second Section Monent (斷面2次 Moment)	Ix=23.47x10cm ⁴ Iy=78.34x10cm ⁴
Specification (仕様)	4,000mm / 6,000mm
Color (色相)	Silver, Black
Application (用途)	Prevention of Foreign Material Machine Structure Frame, Work Table, Machine Cover (제작 후 이물질 유입방지 타임, 기계구조물, 작업대, 기계커버)

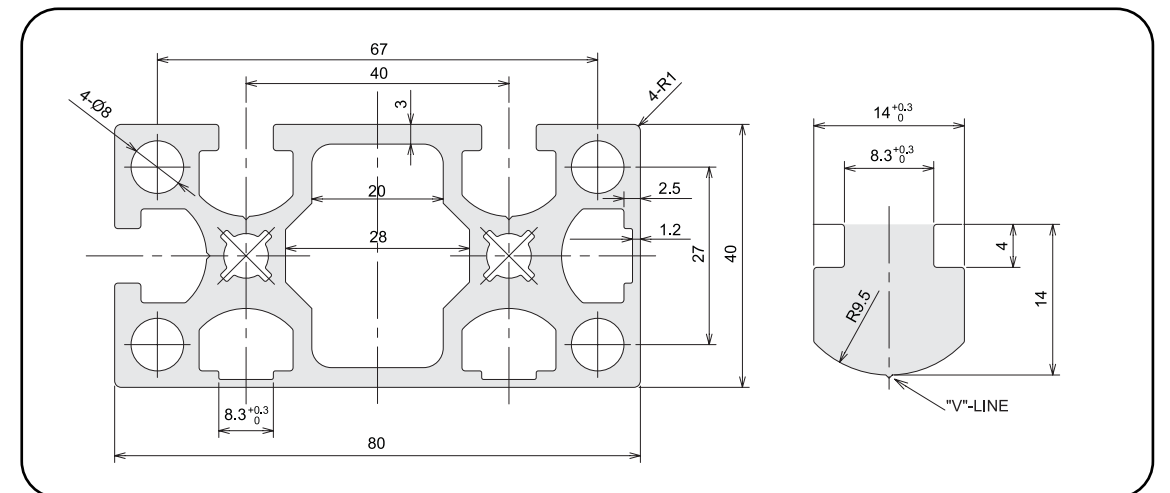


DCF 4080-2

40 X 80



Technical Data (技術 Data)	
Material (材質)	A6N01S-T5
Surface Processing (表面處理)	Anodized
Weight (重量)	3.4kg/m
Section Area (斷面積)	1255.4mm ²
Second Section Monent (斷面2次 Moment)	Ix=21.12x10cm ⁴ Iy=83.55x10cm ⁴
Specification (仕様)	4,000mm / 6,000mm
Color (色相)	Silver, Black
Application (用途)	Prevention of Foreign Material Machine Structure Frame, Work Table, Machine Cover (제작 후 이물질 유입방지 타임, 기계구조물, 작업대, 기계커버)



Profile

Angle

Duct

Profile Accessory

Conveyor Frame

Air Supply System

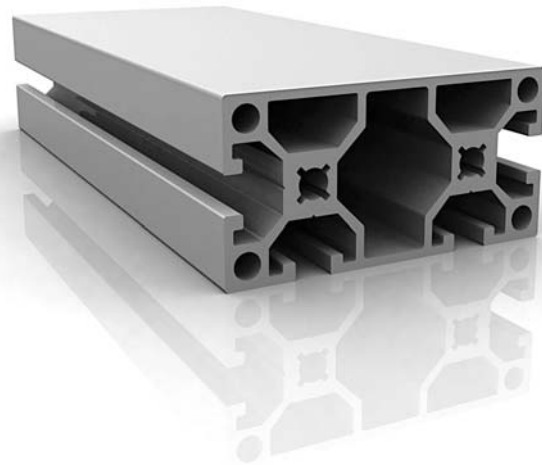
AL Tube

Technical Data

Pipe rack system

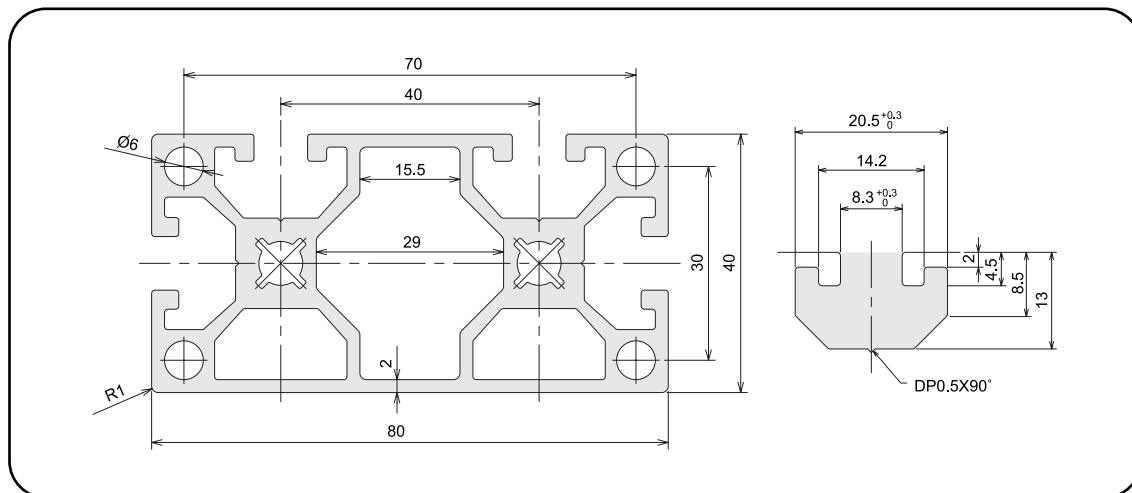
DCNF 4080-1

40 X 80



Technical Data (技術 Data)

Material (材質)	A6N01S-T5
Surface Processing (表面處理)	Anodized
Weight (重量)	2.73kg/m
Section Area (斷面積)	1007.1mm ²
Second Section Moment (斷面2次 Moment)	Ix=17.7x10cm ⁴ Iy=68.4x10cm ⁴
Specification (仕様)	4,000mm / 6,000mm
Color (色相)	Silver, Black
Application (用途)	Prevention of Foreign Material Machine Structure Frame, Work Table, Machine Cover (제작 후 이물질 유입방지 타임, 기계구조물, 작업대, 기계커버)



Profile

Angle

Duct

Profile Accessory

Conveyor Frame

Air Supply System

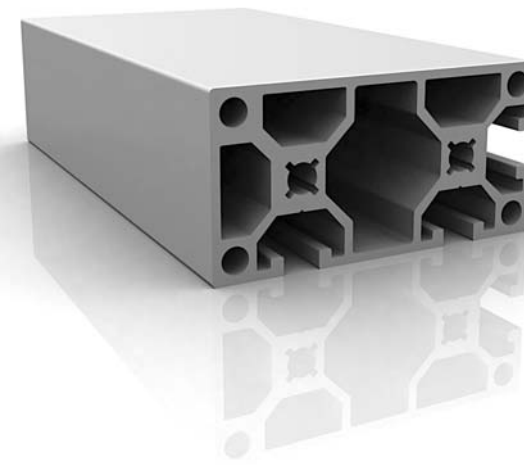
AL Tube

Technical Data

Pipe rack system

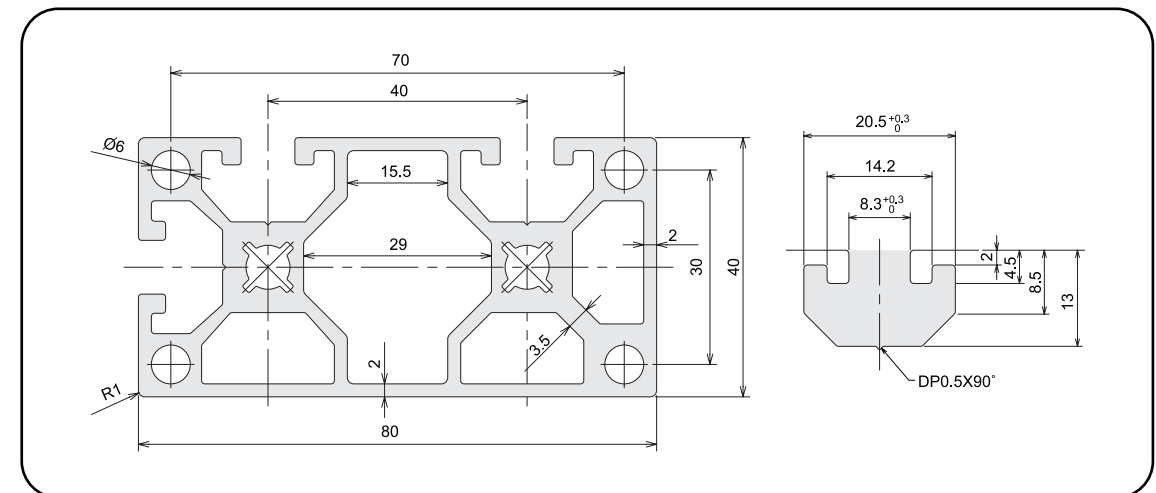
DCNF 4080-2

40 X 80



Technical Data (技術 Data)

Material (材質)	A6N01S-T5
Surface Processing (表面處理)	Anodized
Weight (重量)	2.82kg/m
Section Area (斷面積)	1039.4mm ²
Second Section Moment (斷面2次 Moment)	Ix=17.9x10cm ⁴ Iy=71.9x10cm ⁴
Specification (仕様)	4,000mm / 6,000mm
Color (色相)	Silver, Black
Application (用途)	Prevention of Foreign Material Machine Structure Frame, Work Table, Machine Cover (제작 후 이물질 유입방지 타임, 기계구조물, 작업대, 기계커버)



Profile

Angle

Duct

Profile Accessory

Conveyor Frame

Air Supply System

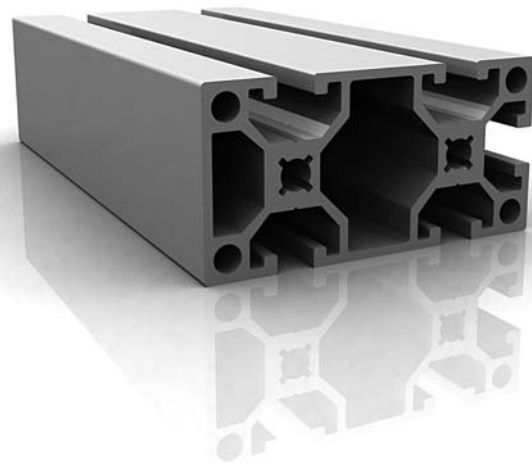
AL Tube

Technical Data

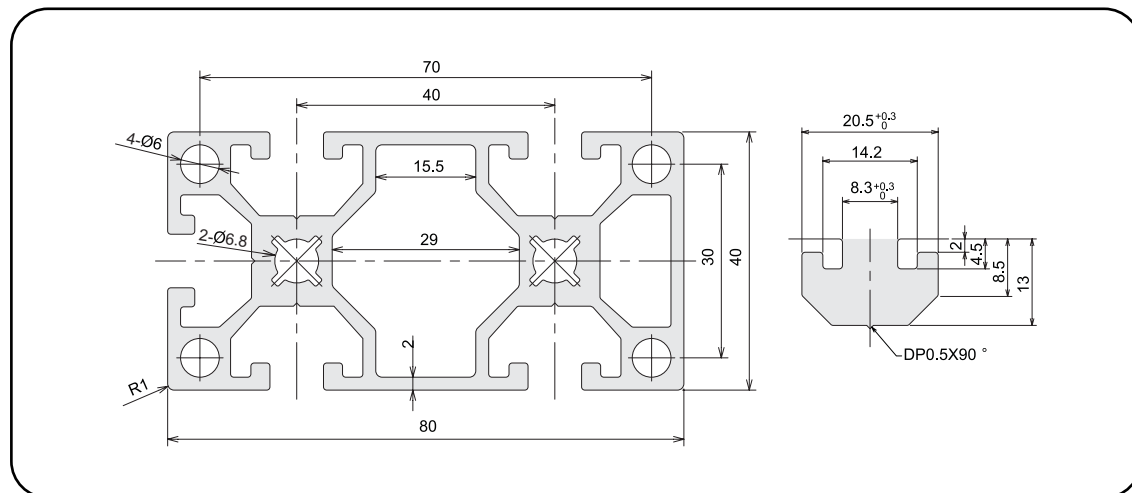
Pipe rack system

DCNF 4080-L1

40 X 80



Technical Data (技術 Data)	
Material (材質)	A6N01S-T5
Surface Processing (表面處理)	Anodized
Weight (重量)	2.82kg/m
Section Area (斷面積)	1,003.02mm ²
Second Section Moment (斷面2次 Moment)	Ix=17.16x10cm ⁴ Iy=68.96x10cm ⁴
Specification (仕様)	4,000mm / 6,000mm
Color (色相)	Silver, Black
Application (用途)	Prevention of Foreign Material Machine Structure Frame, Work Table, Machine Cover (제작 후 이물질 유입방지 타임, 기계구조물, 작업대, 기계커버)



Profile

Angle

Duct

Profile Accessory

Conveyor Frame

Air Supply System

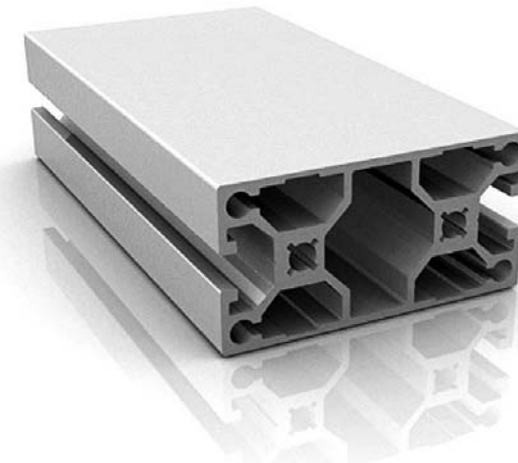
AL Tube

Technical Data

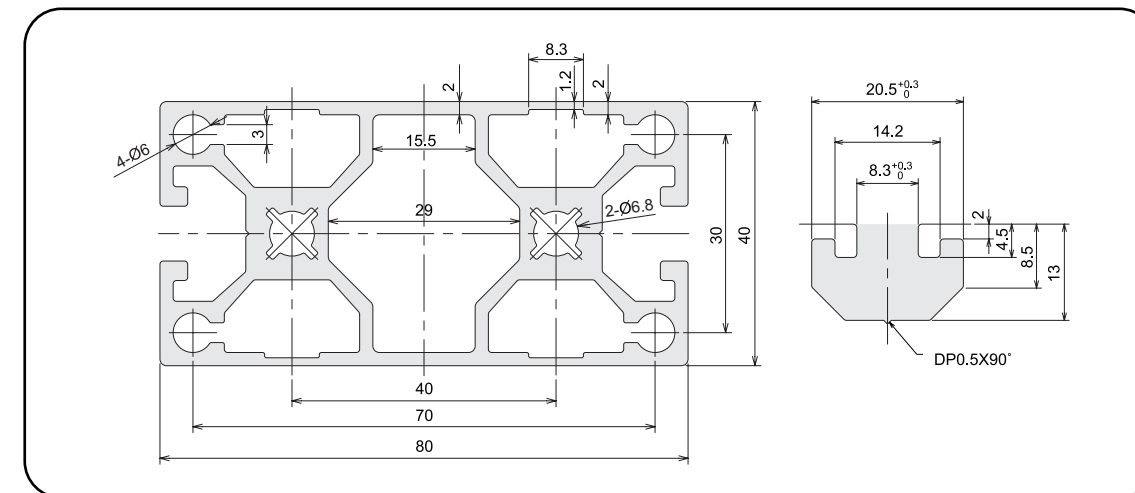
Pipe rack system

DCNF 4080-L2

40 X 80



Technical Data (技術 Data)	
Material (材質)	A6N01S-T5
Surface Processing (表面處理)	Anodized
Weight (重量)	2.62kg/m
Section Area (斷面積)	966mm ²
Second Section Moment (斷面2次 Moment)	Ix=16.7x10cm ⁴ Iy=65.4x10cm ⁴
Specification (仕様)	4,000mm / 6,000mm
Color (色相)	Silver, Black
Application (用途)	Prevention of Foreign Material Machine Structure Frame, Work Table, Machine Cover (제작 후 이물질 유입방지 타임, 기계구조물, 작업대, 기계커버)



Profile

Angle

Duct

Profile Accessory

Conveyor Frame

Air Supply System

AL Tube

Technical Data

Pipe rack system

Profile

Angle

Duct

Profile Accessory

Conveyor Frame

Air Supply System

AL Tube

Technical Data

Pipe rack system

DCF 6060-1

60 X 60



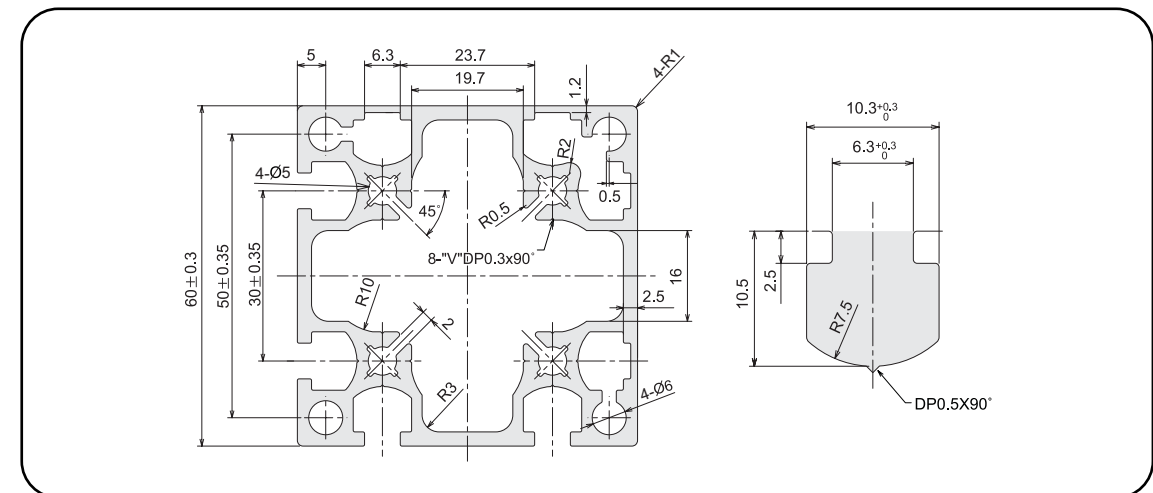
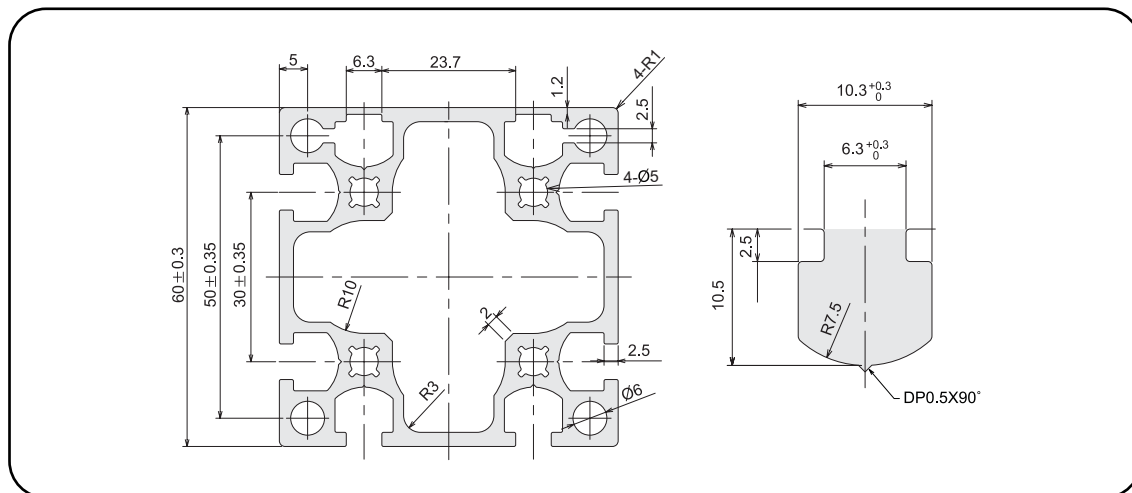
Technical Data (技術 Data)	
Material (材質)	A6N01S-T5
Surface Processing (表面處理)	Anodized
Weight (重量)	2.74kg/m
Section Area (斷面積)	1,009.5mm ²
Second Section Moment (斷面2次 Moment)	Ix=422x10cm ⁴ Iy=43.02x10cm ⁴
Specification (仕様)	4,000mm / 6,000mm
Color (色相)	Silver, Black
Application (用途)	Prevention of Foreign Material Machine Structure Frame, Work Table, Machine Cover (제작 후 이물질 유입방지 타임, 기계구조물, 작업대, 기계커버)

DCF 6060-2

60 X 60



Technical Data (技術 Data)	
Material (材質)	A6N01S-T5
Surface Processing (表面處理)	Anodized
Weight (重量)	2.65kg/m
Section Area (斷面積)	983.3mm ²
Second Section Moment (斷面2次 Moment)	Ix=41.92x10cm ⁴ Iy=42.64x10cm ⁴
Specification (仕様)	4,000mm / 6,000mm
Color (色相)	Silver, Black
Application (用途)	Prevention of Foreign Material Machine Structure Frame, Work Table, Machine Cover (제작 후 이물질 유입방지 타임, 기계구조물, 작업대, 기계커버)



Profile

Angle

Duct

Profile Accessory

Conveyor Frame

Air Supply System

AL Tube

Technical Data

Pipe rack system

Profile

Angle

Duct

Profile Accessory

Conveyor Frame

Air Supply System

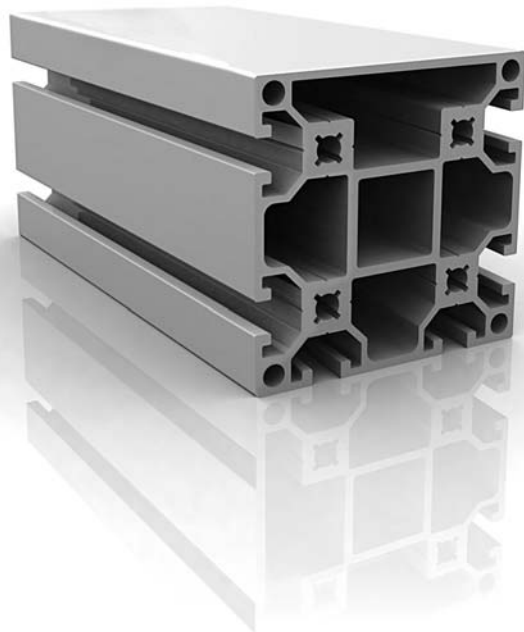
AL Tube

Technical Data

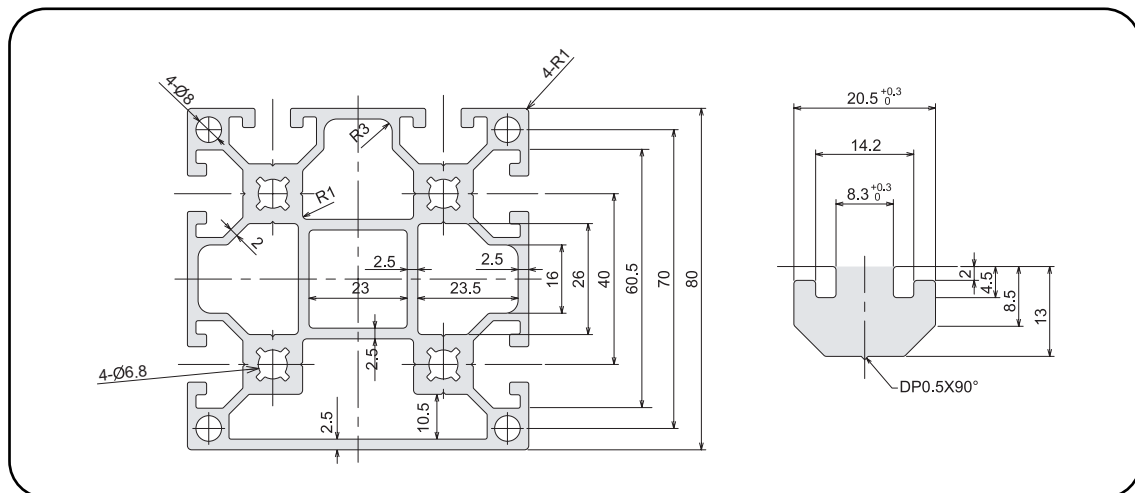
Pipe rack system

DCNF 8080-1

80 X 80

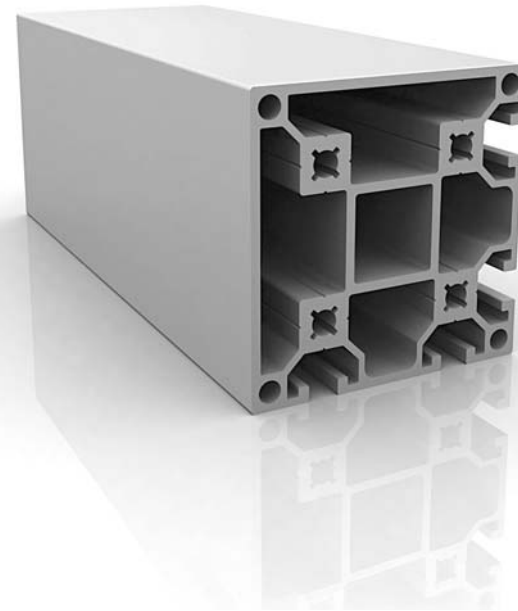


Technical Data (技術 Data)	
Material (材質)	A6N01S-T5
Surface Processing (表面處理)	Anodized
Weight (重量)	5.014kg/m
Section Area (斷面積)	1,805.01mm ²
Second Section Monent (斷面2次 Moment)	Ix=119.8x10cm ⁴ Iy=121.6x10cm ⁴
Specification (仕様)	4,000mm / 6,000mm
Color (色相)	Silver, Black
Application (用途)	Prevention of Foreign Material Machine Structure Frame, Work Table, Machine Cover (제작 후 이물질 유입방지 타임, 기계구조물, 작업대, 기계커버)

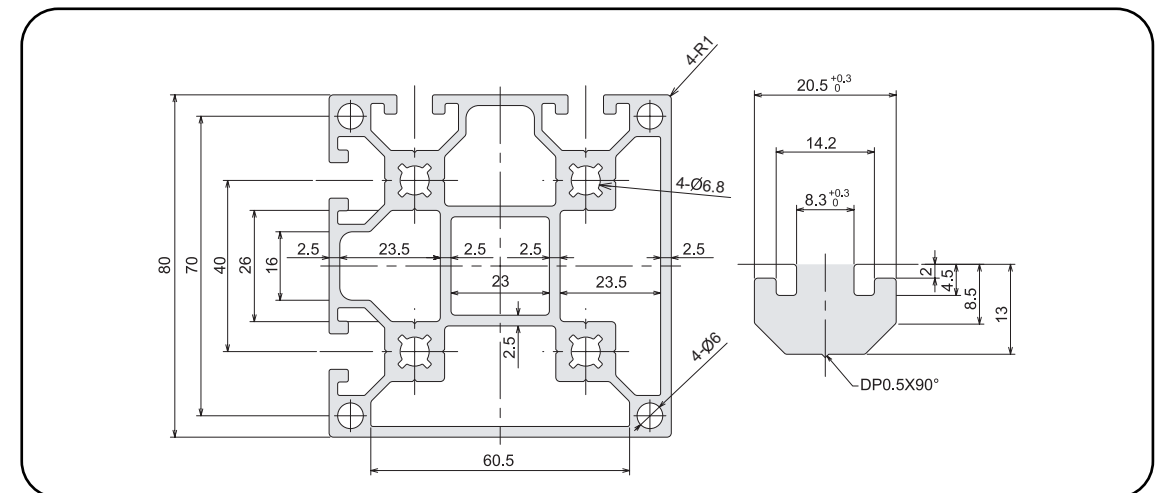


DCNF 8080-2

80 X 80



Technical Data (技術 Data)	
Material (材質)	A6N01S-T5
Surface Processing (表面處理)	Anodized
Weight (重量)	4.96kg/m
Section Area (斷面積)	1824.2mm ²
Second Section Monent (斷面2次 Moment)	Ix=120.3x10cm ⁴ Iy=120.4x10cm ⁴
Specification (仕様)	4,000mm / 6,000mm
Color (色相)	Silver, Black
Application (用途)	Prevention of Foreign Material Machine Structure Frame, Work Table, Machine Cover (제작 후 이물질 유입방지 타임, 기계구조물, 작업대, 기계커버)



Profile
Angle
Duct
Profile Accessory
Conveyor Frame
Air Supply System
AL Tube
Technical Data
Pipe rack system

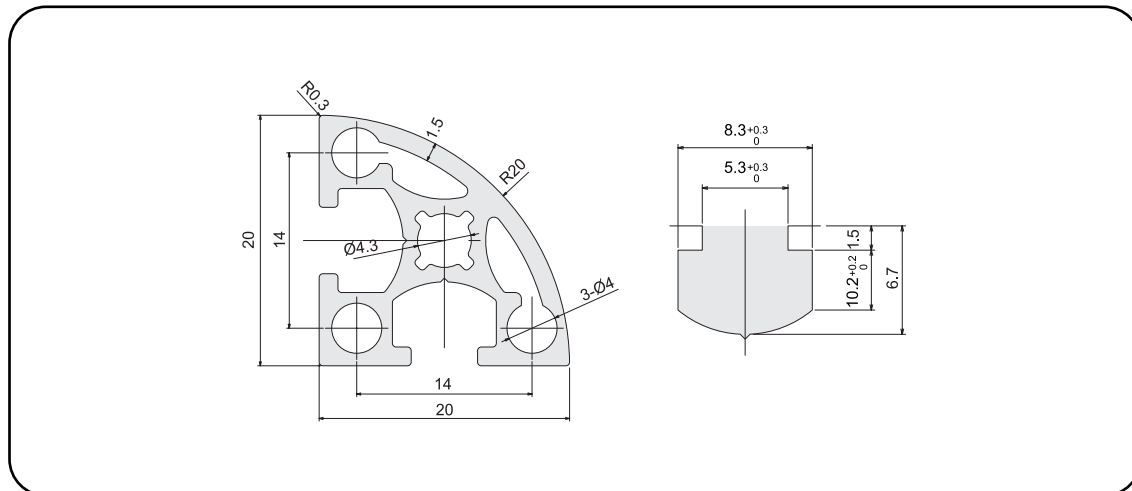
Profile
Angle
Duct
Profile Accessory
Conveyor Frame
Air Supply System
AL Tube
Technical Data
Pipe rack system

DRF 2020

20 X 20

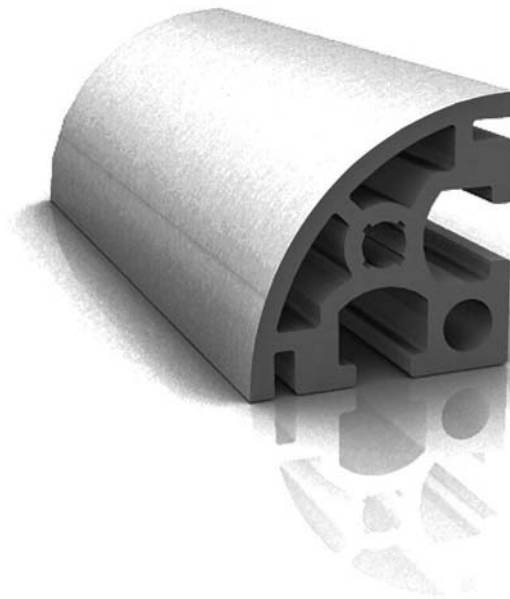


Technical Data (技術 Data)	
Material (材質)	A6N01S-T5
Surface Processing (表面處理)	Anodized
Weight (重量)	0.356kg/m
Section Area (斷面積)	131.42mm ²
Second Section Monent (斷面2次 Moment)	Ix=0.337x10cm ⁴ Iy=0.55x10cm ⁴
Specification (仕様)	4,000mm / 6,000mm
Color (色相)	Silver, Black
Application (用途)	Machine Strudure Frame, Work Table, Machine Cover (기계구조물, 작업대, 기계커버)

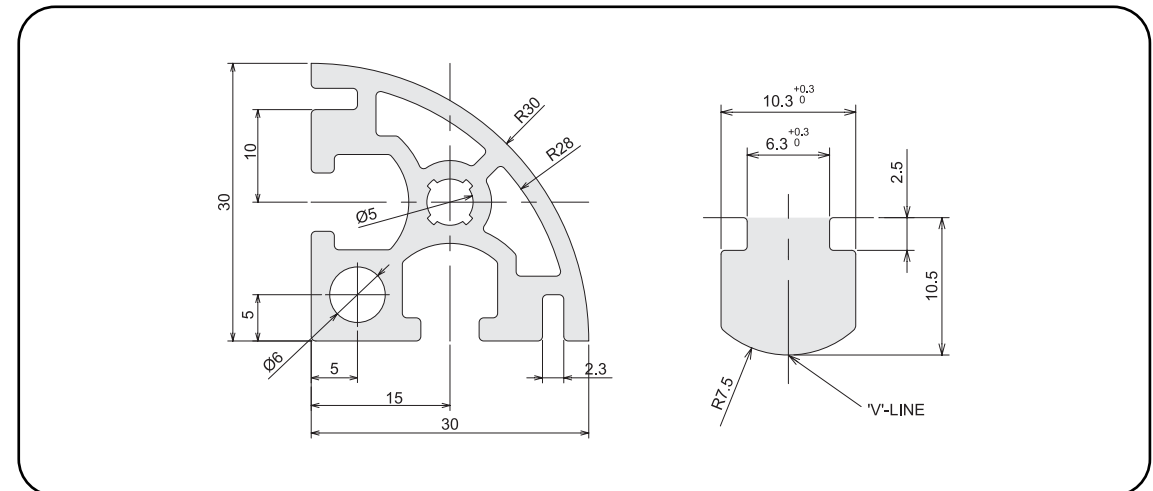


DRF 3030

30 X 30



Technical Data (技術 Data)	
Material (材質)	A6N01S-T5
Surface Processing (表面處理)	Anodized
Weight (重量)	0.94kg/m
Section Area (斷面積)	345.5mm ²
Second Section Monent (斷面2次 Moment)	Ix=1.9x10cm ⁴ Iy=3.5x10cm ⁴
Specification (仕様)	4,000mm / 6,000mm
Color (色相)	Silver, Black
Application (用途)	Coner Frame, Machine Strudure Frame, Work Table, Machine Cover (코너용 프로파일, 기계구조물, 작업대, 기계커버)



Profile

Angle

Duct

Profile Accessory

Conveyor Frame

Air Supply System

AL Tube

Technical Data

Pipe rack system

Profile

Angle

Duct

Profile Accessory

Conveyor Frame

Air Supply System

AL Tube

Technical Data

Pipe rack system

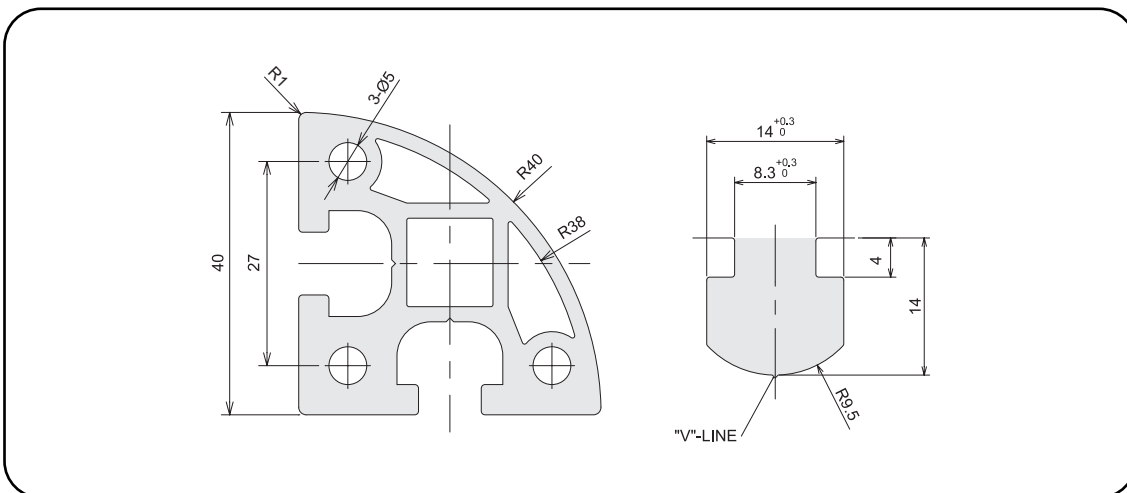
DRF 4040

40 X 40



Technical Data (技術 Data)

Material (材質)	A6N01S-T5
Surface Processing (表面處理)	Anodized
Weight (重量)	1.71kg/m
Section Area (斷面積)	629.5mm ²
Second Section Moment (斷面2次 Moment)	Ix=6.3x10cm ⁴ Iy=11.9x10cm ⁴
Specification (仕様)	4,000mm / 6,000mm
Color (色相)	Silver, Black
Application (用途)	Coner Frame, Machine Structure Frame, Work Table, Machine Cover (코너용 프로파일, 기계구조물, 작업대, 기계커버)



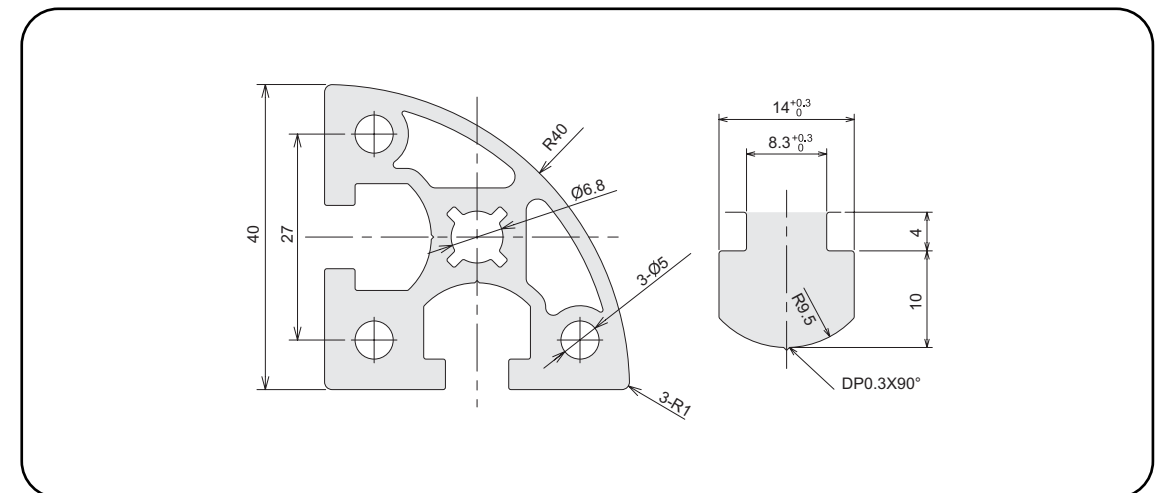
DRF 4040

40 X 40



Technical Data (技術 Data)

Material (材質)	A6N01S-T5
Surface Processing (表面處理)	Anodized
Weight (重量)	1.751kg/m
Section Area (斷面積)	645.97mm ²
Second Section Moment (斷面2次 Moment)	Ix=6.378x10cm ⁴ Iy=11.7x10cm ⁴
Specification (仕様)	4,000mm / 6,000mm
Color (色相)	Silver, Black
Application (用途)	Machine Structure Frame, Work Table, Machine Cover (기계구조물, 작업대, 기계커버)



Profile

Angle

Duct

Profile Accessory

Conveyor Frame

Air Supply System

AL Tube

Technical Data

Pipe rack system

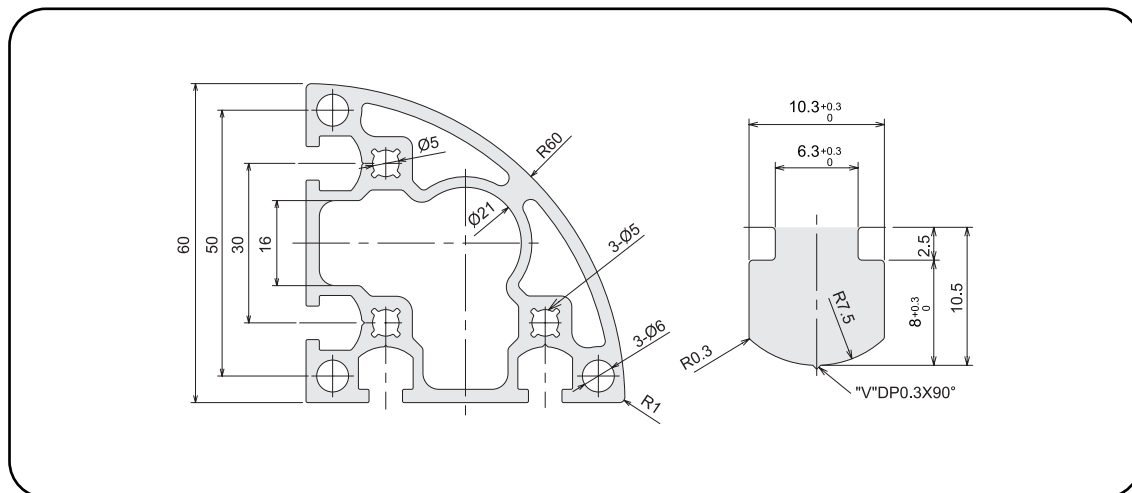


DRF 6060

60 X 60



Technical Data (技術 Data)	
Material (材質)	A6N01S-T5
Surface Processing (表面處理)	Anodized
Weight (重量)	2.54kg/m
Section Area (斷面積)	935.965mm ²
Second Section Monent (斷面2次 Moment)	Ix=224x10cm ⁴ Iy=41.8x10cm ⁴
Specification (仕様)	4,000mm / 6,000mm
Color (色相)	Silver, Black
Application (用途)	Machine Structure Frame, Work Table, Machine Cover (기계구조물, 작업대, 기계커버)



Profile

Angle

Duct

Profile Accessory

Conveyor Frame

Air Supply System

AL Tube

Technical Data

Pipe rack system

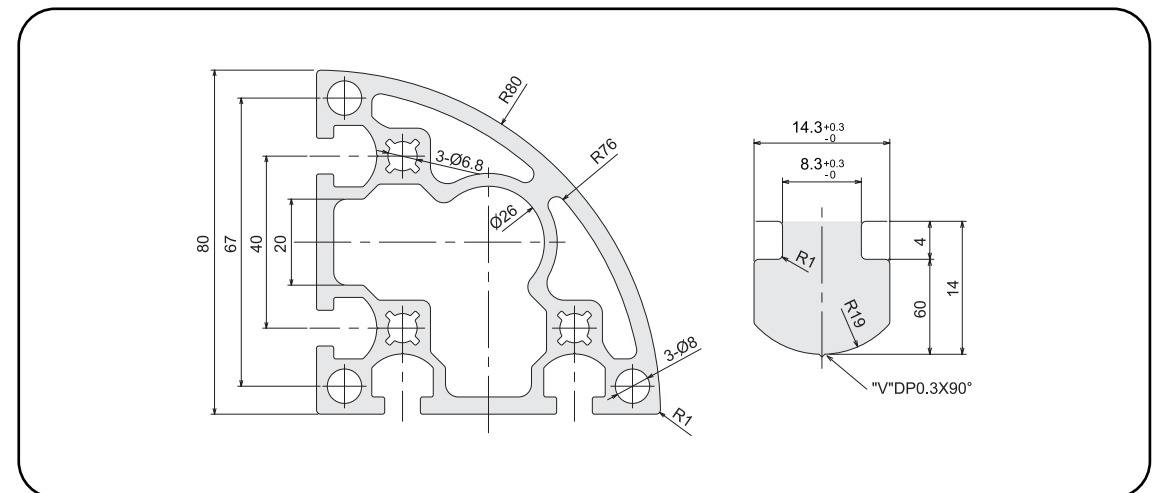


DRF 8080

80 X 80



Technical Data (技術 Data)	
Material (材質)	A6N01S-T5
Surface Processing (表面處理)	Anodized
Weight (重量)	4.694kg/m
Section Area (斷面積)	1732.02mm ²
Second Section Monent (斷面2次 Moment)	Ix=74.495x10cm ⁴ Iy=134.69x10cm ⁴
Specification (仕様)	4,000mm / 6,000mm
Color (色相)	Silver, Black
Application (用途)	Machine Structure Frame, Work Table, Machine Cover (기계구조물, 작업대, 기계커버)

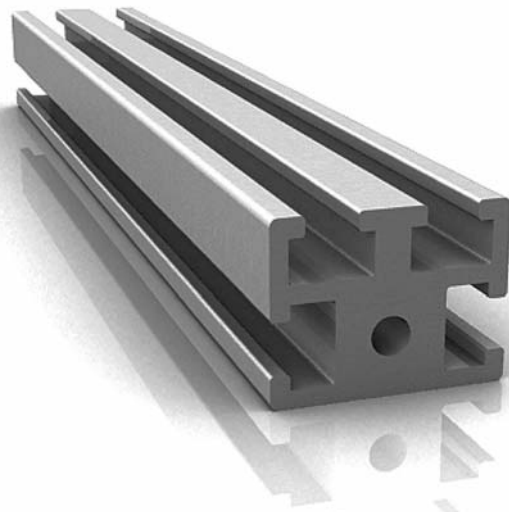


Profile
Angle
Duct
Profile Accessory
Conveyor Frame
Air Supply System
AL Tube
Technical Data
Pipe rack system

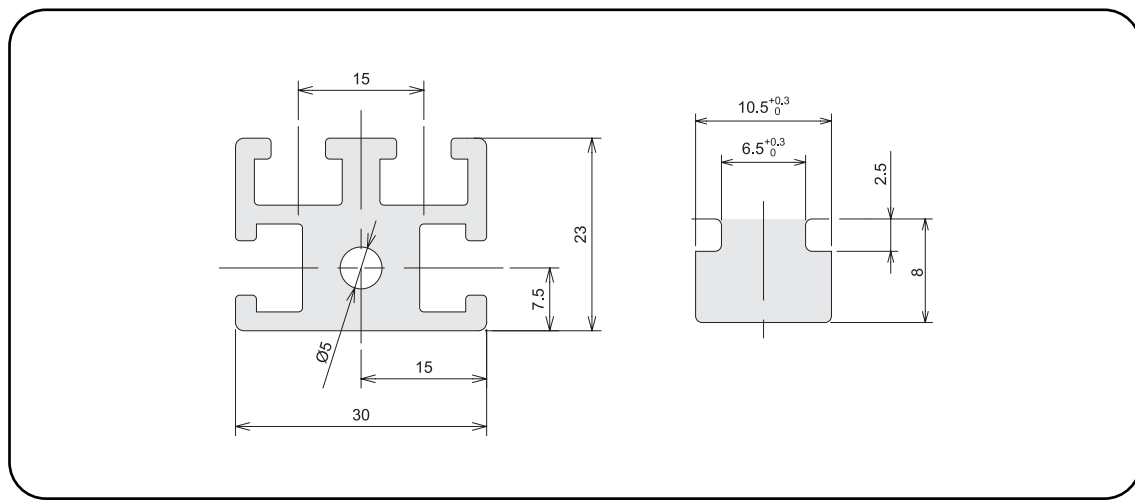
Profile
Angle
Duct
Profile Accessory
Conveyor Frame
Air Supply System
AL Tube
Technical Data
Pipe rack system

GF 3023

30 X 23

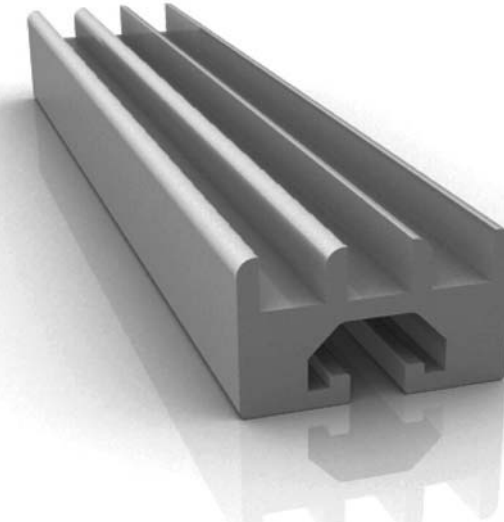


Technical Data (技術 Data)	
Material (材質)	A6N01S-T5
Surface Processing (表面處理)	Anodized
Weight (重量)	1.01kg/m
Section Area (斷面積)	373.1mm ²
Second Section Moment (斷面2次 Moment)	Ix=1.8x10cm ⁴ Iy=2.5x10cm ⁴
Specification (仕様)	4,000mm / 6,000mm
Color (色相)	Silver, Black
Application (用途)	Guide Rail for 30mm Series Profile, Sliding Door, Panel Profile, Work Table, Machine Structure Frame, Machine Cover (30mm용 브로파일 가이드 레일, 도어용 브로파일, 판넬 브로파일, 작업대 기계구조물, 기계커버)

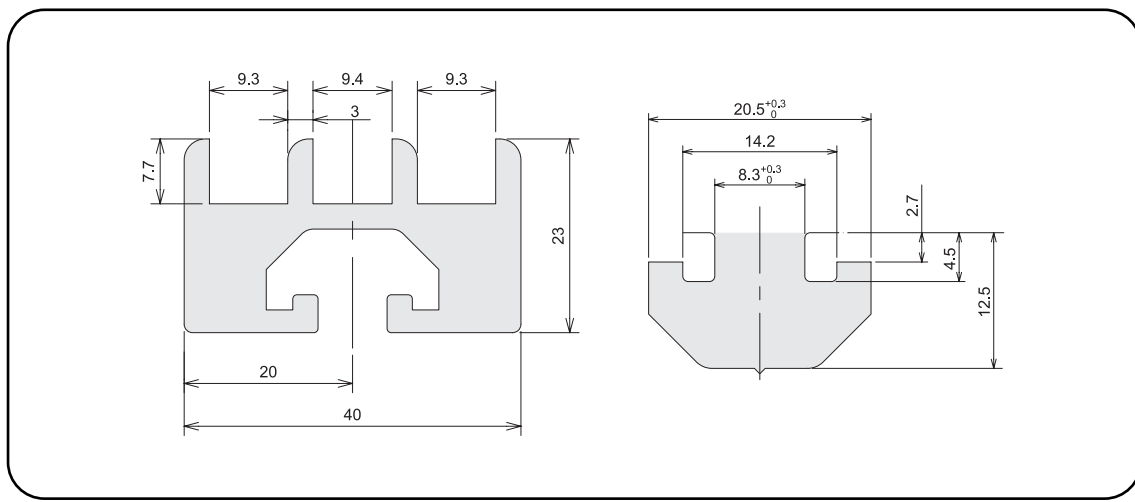


GF 4023

40 X 23



Technical Data (技術 Data)	
Material (材質)	A6N01S-T5
Surface Processing (表面處理)	Anodized
Weight (重量)	1.39kg/m
Section Area (斷面積)	513.4mm ²
Second Section Moment (斷面2次 Moment)	Ix=1.9x10cm ⁴ Iy=9.3x10cm ⁴
Specification (仕様)	4,000mm / 6,000mm
Color (色相)	Silver, Black
Application (用途)	Guide Rail for 30mm Series Profile, Sliding Door, Panel Profile, Work Table, Machine Structure Frame, Machine Cover (30mm용 브로파일 가이드 레일, 도어용 브로파일, 판넬 브로파일, 작업대 기계구조물, 기계커버)



Profile

Angle

Duct

Profile Accessory

Conveyor Frame

Air Supply System

AL Tube

Technical Data

Pipe rack system

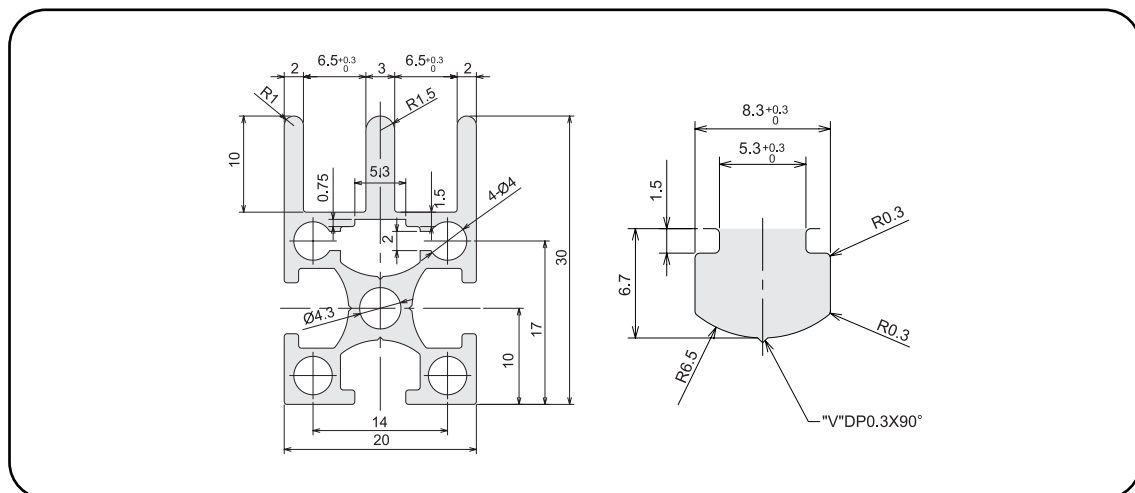


RF 2030

20 X 30



Technical Data (技術 Data)	
Material (材質)	A6N01S-T5
Surface Processing (表面處理)	Anodized
Weight (重量)	0.58kg/m
Section Area (斷面積)	214.5mm ²
Second Section Moment (斷面2次 Moment)	Ix=0.9x10cm ⁴ Iy=1.68x10cm ⁴
Specification (仕様)	4,000mm / 6,000mm
Color (色相)	Silver, Black
Application (用途)	Rail for 20mm Series Profile, Sliding Door Profile, Panel Profile, (20mm규격 프로파일용 레일, 도어용 프로파일, 판넬용 프로파일)



Profile

Angle

Duct

Profile Accessory

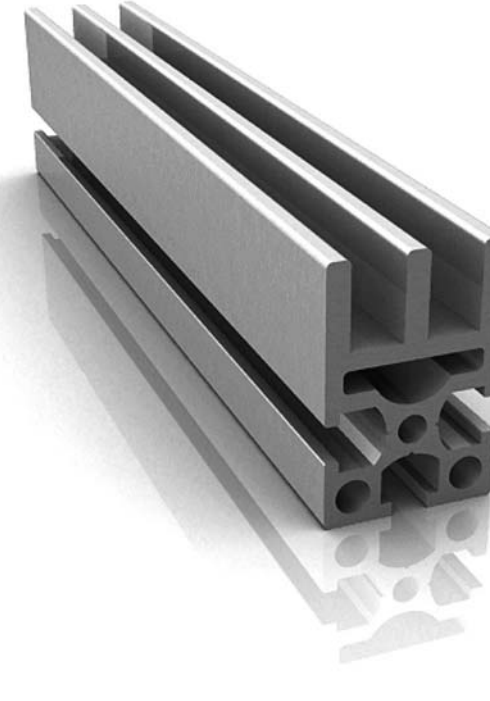
Conveyor Frame

Air Supply System

AL Tube

Technical Data

Pipe rack system

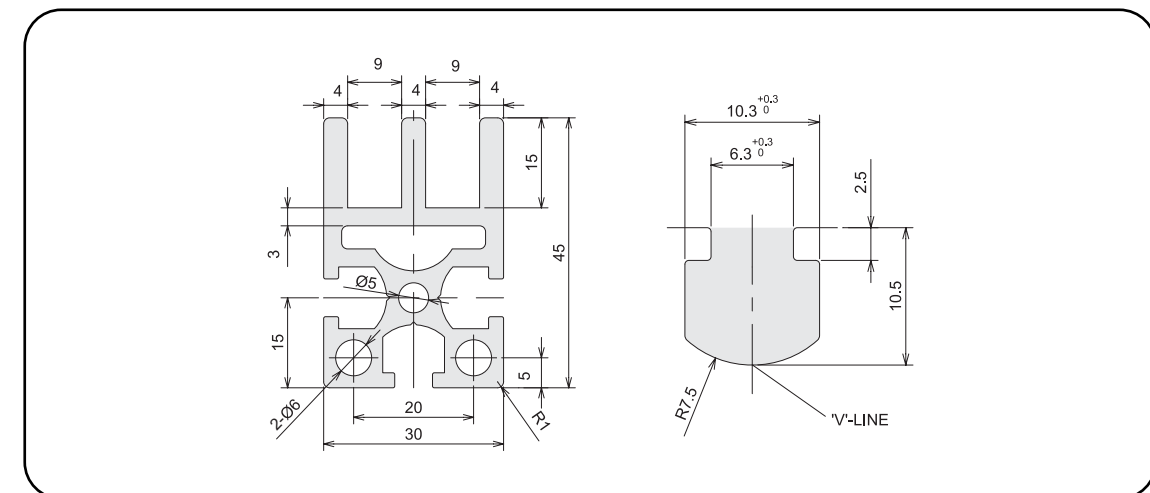


RF 3045

30 X 45

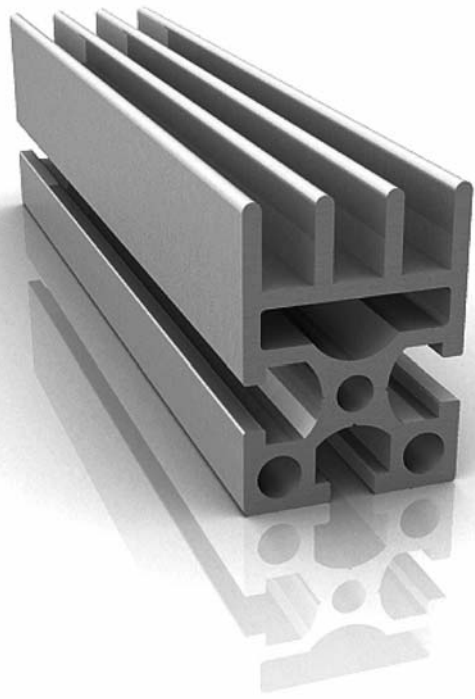


Technical Data (技術 Data)	
Material (材質)	A6N01S-T5
Surface Processing (表面處理)	Anodized
Weight (重量)	1.63kg/m
Section Area (斷面積)	601.6mm ²
Second Section Moment (斷面2次 Moment)	Ix=10.2x10cm ⁴ Iy=5.8x10cm ⁴
Specification (仕様)	4,000mm / 6,000mm
Color (色相)	Silver, Black
Application (用途)	Rail for 30mm Series Profile, Sliding Door Profile, Panel Profile, (30mm규격 프로파일용 레일, 도어용 프로파일, 판넬용 프로파일)



Profile
Angle
Duct
Profile Accessory
Conveyor Frame
Air Supply System
AL Tube
Technical Data
Pipe rack system

Profile
Angle
Duct
Profile Accessory
Conveyor Frame
Air Supply System
AL Tube
Technical Data
Pipe rack system

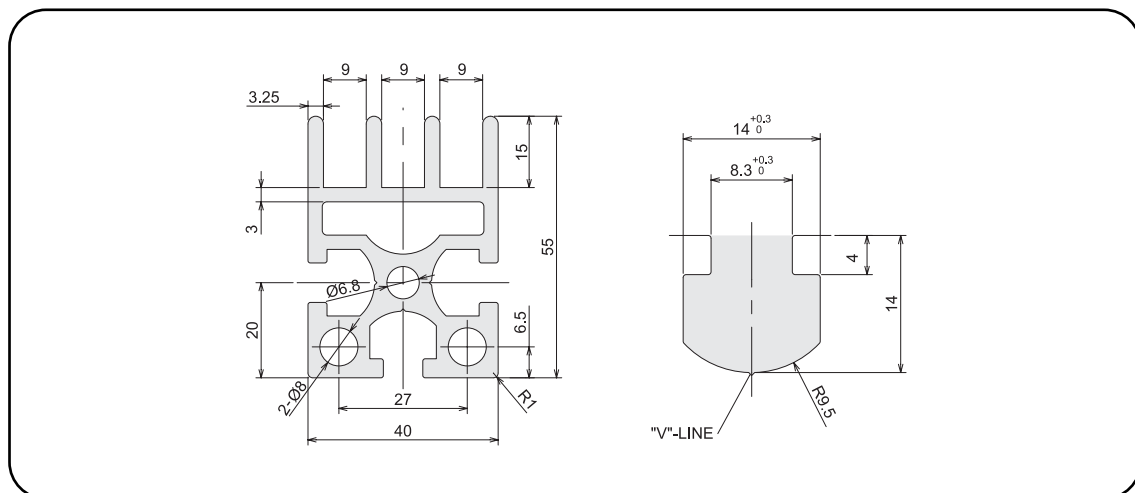


RF 4055

40 X 55



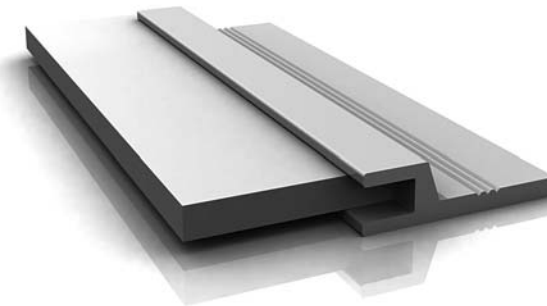
Technical Data (技術 Data)	
Material (材質)	A6N01S-T5
Surface Processing (表面處理)	Anodized
Weight (重量)	2.4kg/m
Section Area (斷面積)	882.4mm ²
Second Section Moment (斷面2次 Moment)	Ix=14.8x10cm ⁴ Iy=23.1x10cm ⁴
Specification (仕様)	4,000mm / 6,000mm
Color (色相)	Silver, Black
Application (用途)	Rail for 40mm Series Profile, Sliding Door Profile, Panel Profile <small>(40mm규격 프로파일용 레일, 도어용 프로파일, 판넬용 프로파일)</small>



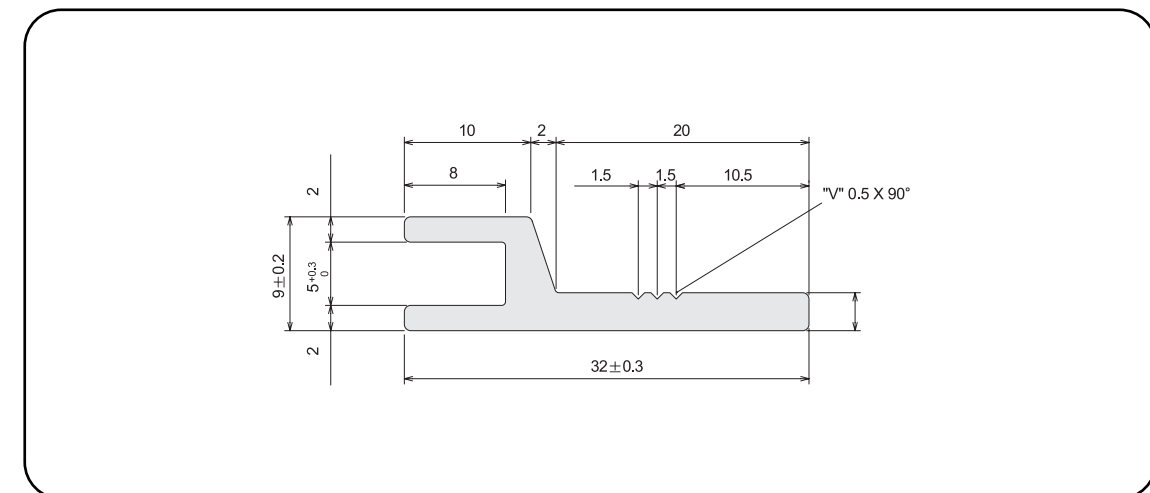
도어아크릴 고정용 프로파일

DY 1483

9 X 32



Technical Data (技術 Data)	
Material (材質)	A6N01S-T5
Surface Processing (表面處理)	Anodized
Weight (重量)	0.336kg/m
Section Area (斷面積)	123.95mm ²
Second Section Moment (斷面2次 Moment)	Ix=0.0861x10cm ⁴ Iy=1.002x10cm ⁴
Specification (仕様)	4,000mm / 6,000mm
Color (色相)	Silver, Black
Application (用途)	Bracket, Profile <small>(브라켓용 프로파일)</small>



Profile

Angle

Duct

Profile Accessory

Conveyor Frame

Air Supply System

AL Tube

Technical Data

Pipe rack system



도어아크릴 고정용 프로파일

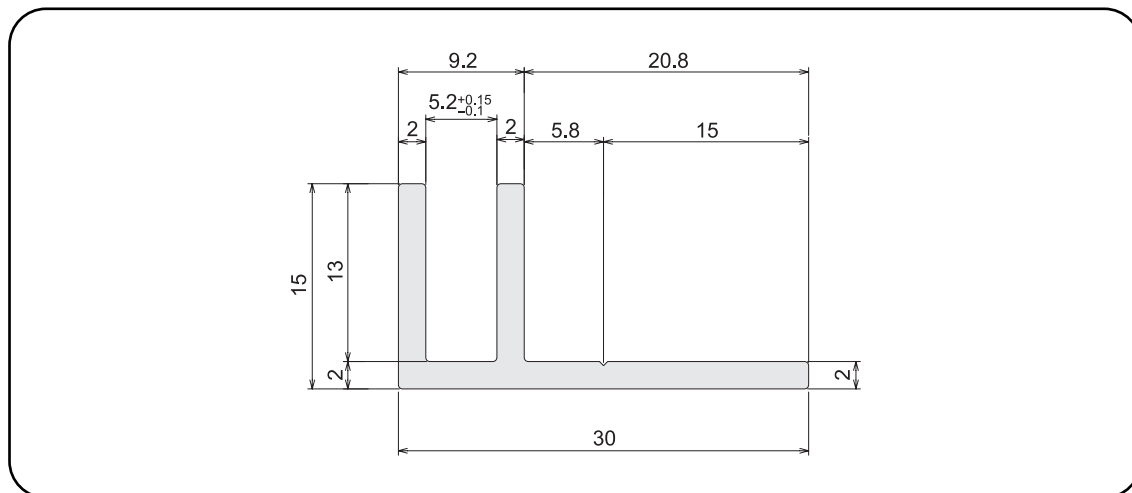
DY 3942

15 X 30



Technical Data (技術 Data)

Material (材質)	A6N01S-T5
Surface Processing (表面處理)	Anodized
Weight (重量)	0.303kg/m
Section Area (斷面積)	111.83mm ²
Second Section Monent (斷面2次 Moment)	Ix= 0.16x10cm ⁴ Iy= 0.89x10cm ⁴
Specification (仕様)	4,000mm / 6,000mm
Color (色相)	Silver, Black
Application (用途)	Machine Structure Frame, Work Table, Machine Cover (기계구조물, 작업대, 기계커버)



Profile

Angle

Duct

Profile Accessory

Conveyor Frame

Air Supply System

AL Tube

Technical Data

Pipe rack system



도어아크릴 고정용 프로파일

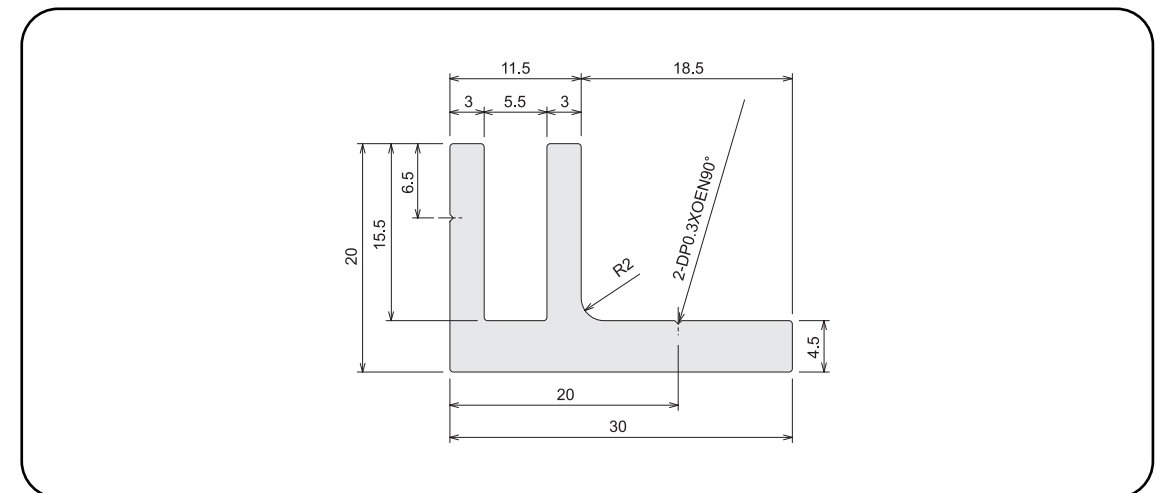
DY 3399

20 X 30



Technical Data (技術 Data)

Material (材質)	A6N01S-T5
Surface Processing (表面處理)	Anodized
Weight (重量)	0.617kg/m
Section Area (斷面積)	227.7427mm ²
Second Section Monent (斷面2次 Moment)	Ix= 0.529x10cm ⁴ Iy= 1.884x10cm ⁴
Specification (仕様)	4,000mm / 6,000mm
Color (色相)	Silver, Black
Application (用途)	Bracket, Profile (브라켓용 프로파일)



Profile

Angle

Duct

Profile Accessory

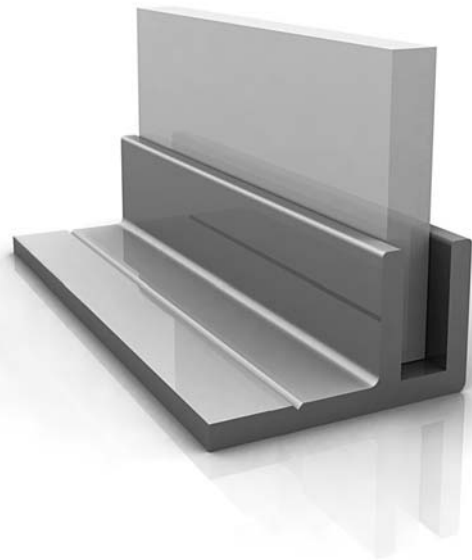
Conveyor Frame

Air Supply System

AL Tube

Technical Data

Pipe rack system



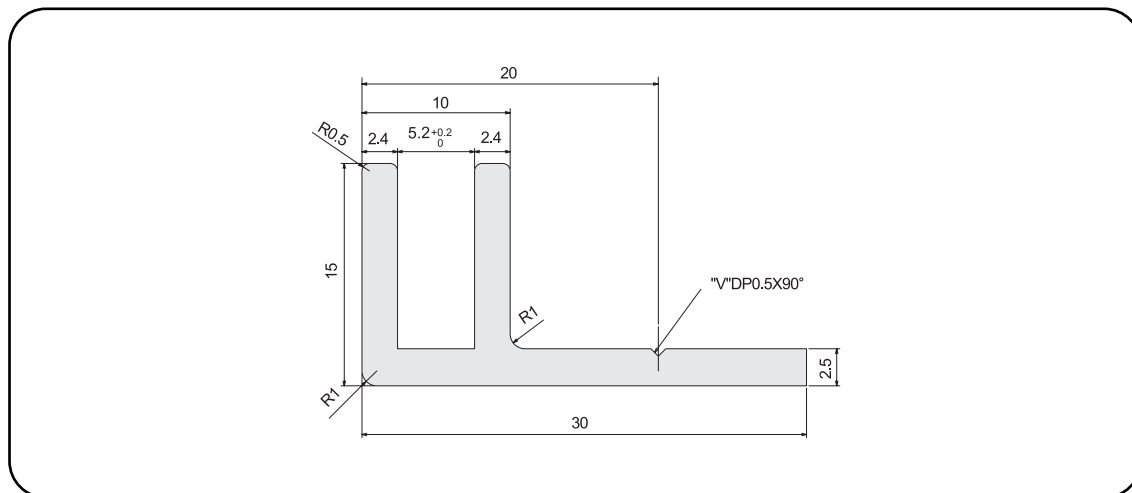
도어 아크릴 고정용 프로파일

DY 3730

20 X 30



Technical Data (技術 Data)	
Material (材質)	A6N01S-T5
Surface Processing (表面處理)	Anodized
Weight (重量)	0.365kg/m
Section Area (斷面積)	134.5354mm ²
Second Section Monent (斷面2次 Moment)	Ix=0.1883x10cm ⁴ Iy=1.5083x10cm ⁴
Specification (仕様)	4,000mm / 6,000mm
Color (色相)	Silver, Black
Application (用途)	Bracket Profile (브라켓용 프로파일)



Profile

Angle

Duct

Profile Accessory

Conveyor Frame

Air Supply System

AL Tube

Technical Data

Pipe rack system



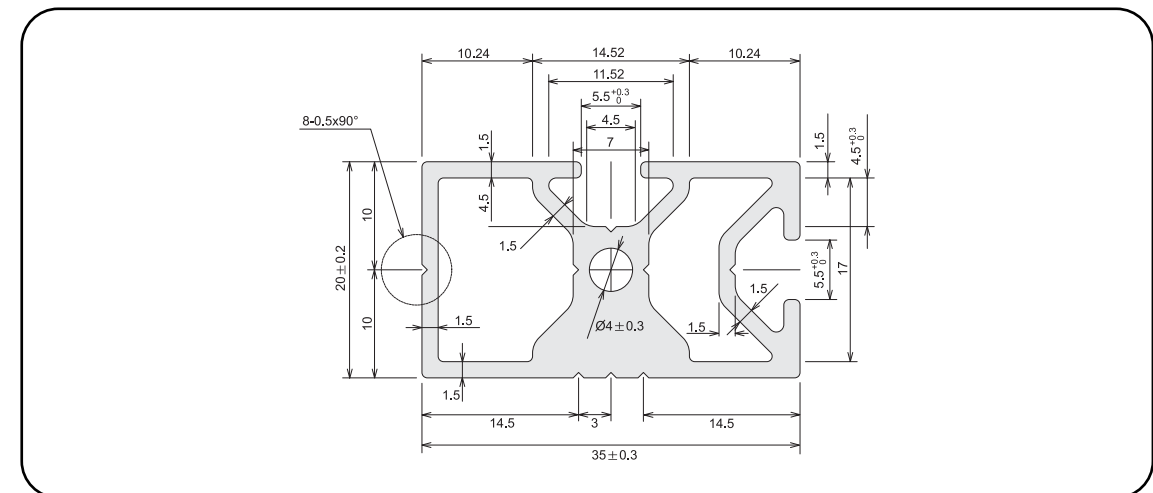
도어 취부용 프로파일

DY 1476

20 X 35



Technical Data (技術 Data)	
Material (材質)	A6N01S-T5
Surface Processing (表面處理)	Anodized
Weight (重量)	0.78kg/m
Section Area (斷面積)	288.5mm ²
Second Section Monent (斷面2次 Moment)	Ix=1.32x10cm ⁴ Iy=2.91x10cm ⁴
Specification (仕様)	4,000mm / 6,000mm
Color (色相)	Silver, Black
Application (用途)	Door frame for Automation Equipment (자동차 장비 도어용)



Profile

Angle

Duct

Profile Accessory

Conveyor Frame

Air Supply System

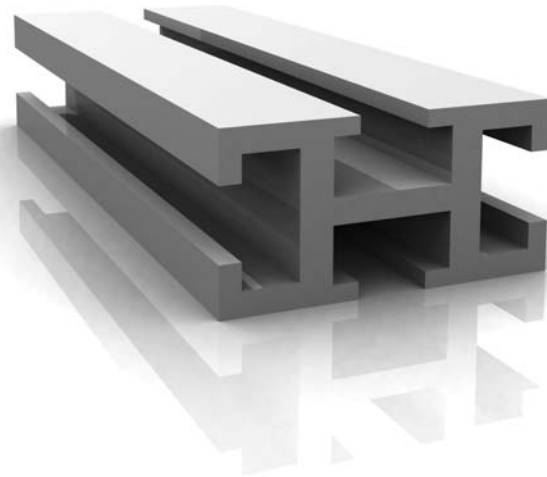
AL Tube

Technical Data

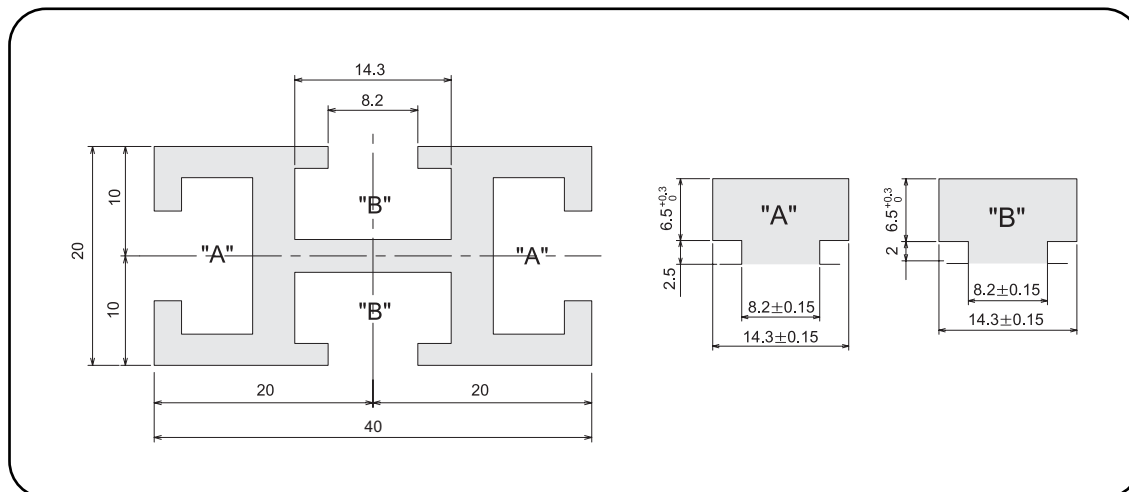
Pipe rack system

DY 1477

20 X 40



Technical Data (技術 Data)	
Material (材質)	A6N01S-T5
Surface Processing (表面處理)	Anodized
Weight (重量)	0.96kg/m
Section Area (斷面積)	351.19mm ²
Second Section Moment (斷面2次 Moment)	Ix=1,572.4x10cm ⁴ Iy=5,034.4x10cm ⁴
Specification (仕様)	4,000mm / 6,000mm
Color (色相)	Silver, Black
Application (用途)	Door frame for Automation Equipment (자동차 정비 도어용)



Profile

Angle

Duct

Profile Accessory

Conveyor Frame

Air Supply System

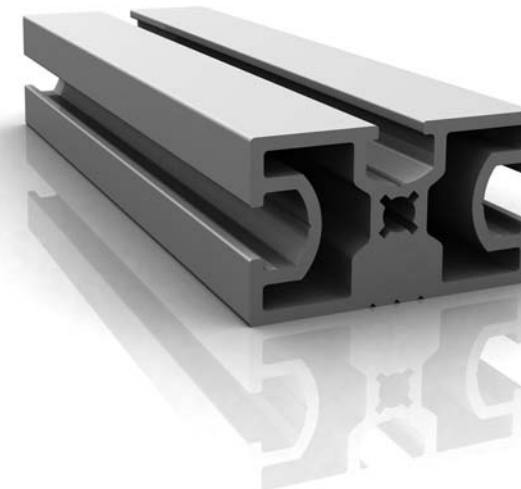
AL Tube

Technical Data

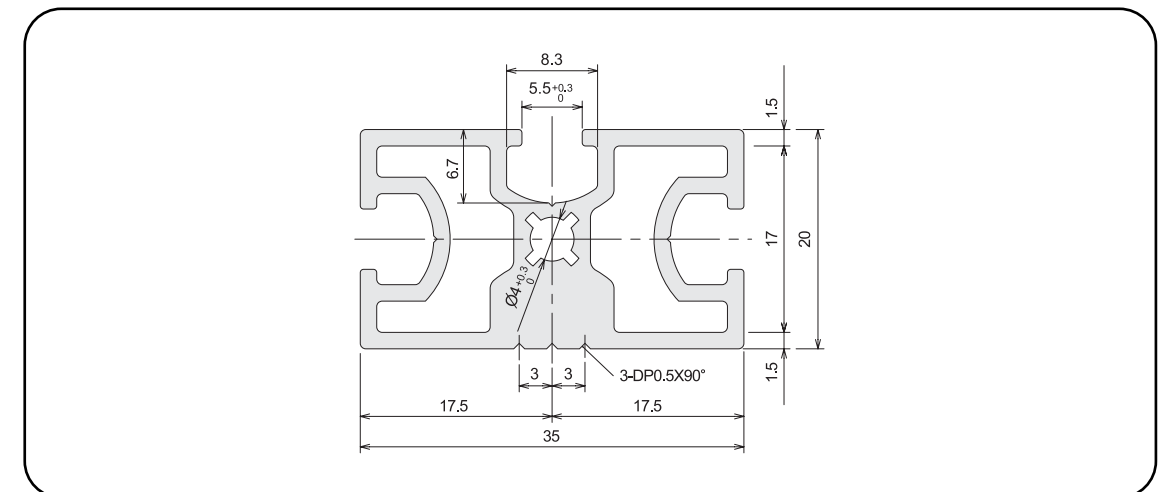
Pipe rack system

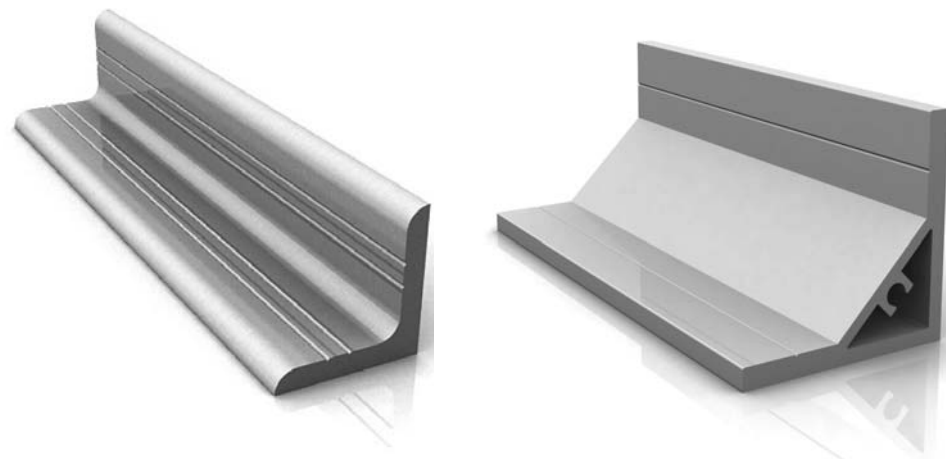
DY 1723

20 X 35



Technical Data (技術 Data)	
Material (材質)	A6N01S-T5
Surface Processing (表面處理)	Anodized
Weight (重量)	0.802kg/m
Section Area (斷面積)	295.98mm ²
Second Section Moment (斷面2次 Moment)	Ix=1.29x10cm ⁴ Iy=3.01x10cm ⁴
Specification (仕様)	4,000mm / 6,000mm
Color (色相)	Silver, Black
Application (用途)	Door Frame, Machine Structure Frame, Work Table, Machine Cover (도어 프레임, 기계구조물, 작업대, 기계커버)

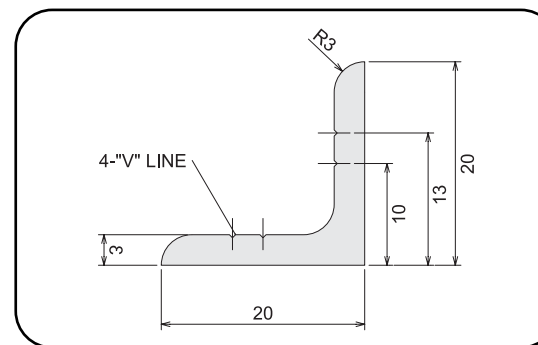




ANGLE

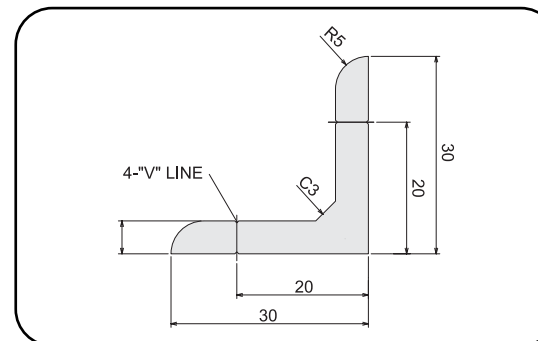
Technical Data (技術 Data)

Material (材質)	A6N01S-T5
Surface Processing (表面處理)	Anodized
Weight (重量)	0.29kg/m
Section Area (斷面積)	109.0mm ²
Second Section Moment (斷面2次 Moment)	$I_x = 0.2 \times 10 \text{ cm}^4$ $I_y = 0.6 \times 10 \text{ cm}^4$
Specification (仕様)	4,000mm / 6,000mm
Color (色相)	Silver, Black
Application (用途)	Bracket Profile (브라켓용 프로파일)



Technical Data (技術 Data)

Material (材質)	A6N01S-T5
Surface Processing (表面處理)	Anodized
Weight (重量)	0.73kg/m
Section Area (斷面積)	268.4mm ²
Second Section Moment (斷面2次 Moment)	$I_x = 0.8 \times 10 \text{ cm}^4$ $I_y = 3.2 \times 10 \text{ cm}^4$
Specification (仕様)	4,000mm / 6,000mm
Color (色相)	Silver, Black
Application (用途)	Bracket Profile (브라켓용 프로파일)



DAB 2020
20 X 20



DAB 3030
30 X 30



Profile
Angle
Duct
Profile Accessory
Conveyor Frame
Air Supply System
AL Tube
Technical Data
Pipe rack system

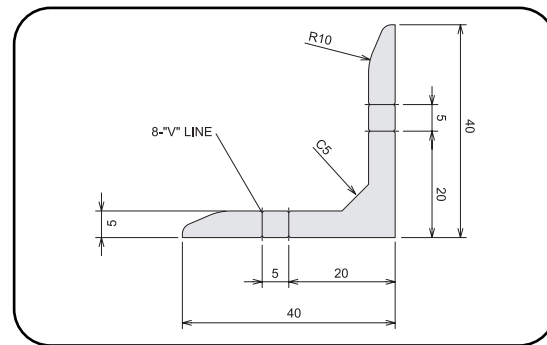
Profile
Angle
Duct
Profile Accessory
Conveyor Frame
Air Supply System
AL Tube
Technical Data
Pipe rack system

DAB 4040

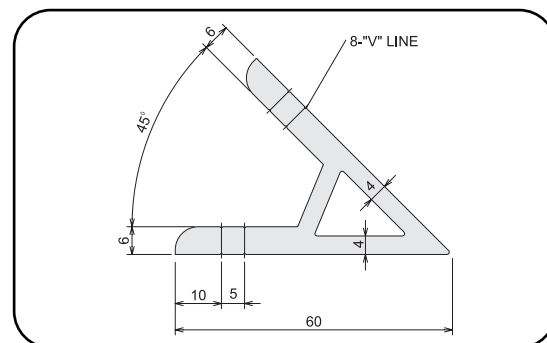
40 X 40



Technical Data (技術 Data)	
Material (材質)	A6N01S-T5
Surface Processing (表面處理)	Anodized
Weight (重量)	1.0kg/m
Section Area (斷面積)	364.6mm ²
Second Section Moment (斷面2次 Moment)	I _x =2.0x10cm ⁴ I _y =7.6x10cm ⁴
Specification (仕様)	4,000mm / 6,000mm
Color (色相)	Silver, Black
Application (用途)	Bracket Profile (브라켓용 프로파일)

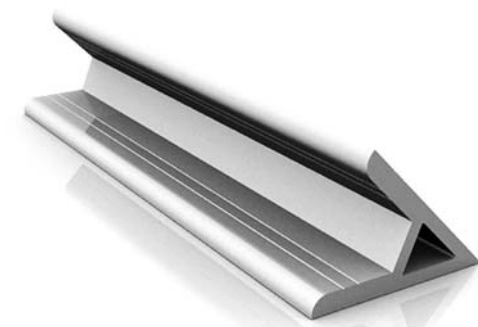


Technical Data (技術 Data)	
Material (材質)	A6N01S-T5
Surface Processing (表面處理)	Anodized
Weight (重量)	1.64kg/m
Section Area (斷面積)	603.4mm ²
Second Section Moment (斷面2次 Moment)	I _x =8.4x10cm ⁴ I _y =11.5x10cm ⁴
Specification (仕様)	4,000mm / 6,000mm
Color (色相)	Silver, Black
Application (用途)	Bracket Profile (브라켓용 프로파일)

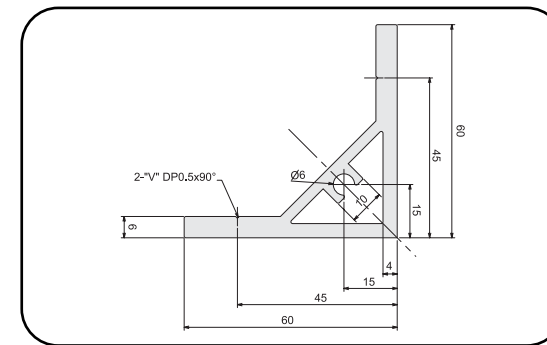


DAB 6045

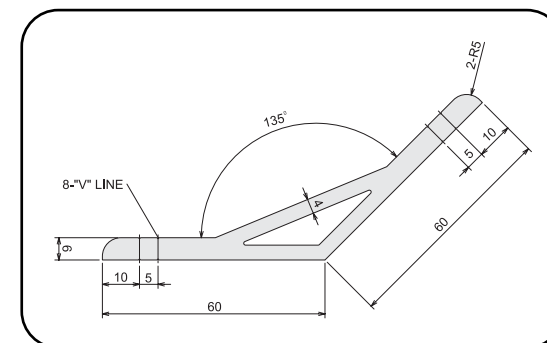
60 X 45



Technical Data (技術 Data)	
Material (材質)	A6N01S-T5
Surface Processing (表面處理)	Anodized
Weight (重量)	1.96kg/m
Section Area (斷面積)	721.898mm ²
Second Section Moment (斷面2次 Moment)	I _x =8.5x10cm ⁴ I _y =37.2x10cm ⁴
Specification (仕様)	4,000mm / 6,000mm
Color (色相)	Silver, Black
Application (用途)	Bracket Profile (브라켓용 프로파일)



Technical Data (技術 Data)	
Material (材質)	A6N01S-T5
Surface Processing (表面處理)	Anodized
Weight (重量)	2.11kg/m
Section Area (斷面積)	779.1mm ²
Second Section Moment (斷面2次 Moment)	I _x =2.8x10cm ⁴ I _y =67.8x10cm ⁴
Specification (仕様)	4,000mm / 6,000mm
Color (色相)	Silver, Black
Application (用途)	Bracket Profile (브라켓용 프로파일)



DAB 6060

60 X 60



DAB 60135

60 X 135



Profile
Angle
Duct
Profile Accessory
Conveyor Frame
Air Supply System
AL Tube
Technical Data
Pipe rack system

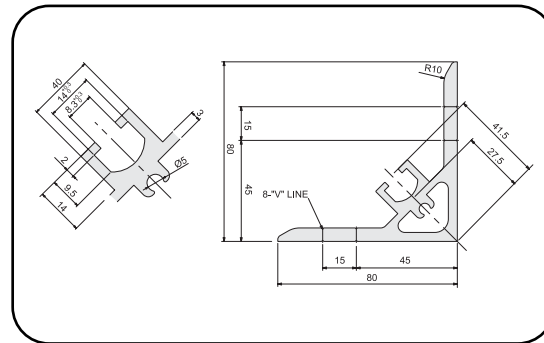
Profile
Angle
Duct
Profile Accessory
Conveyor Frame
Air Supply System
AL Tube
Technical Data
Pipe rack system

DAB 8080

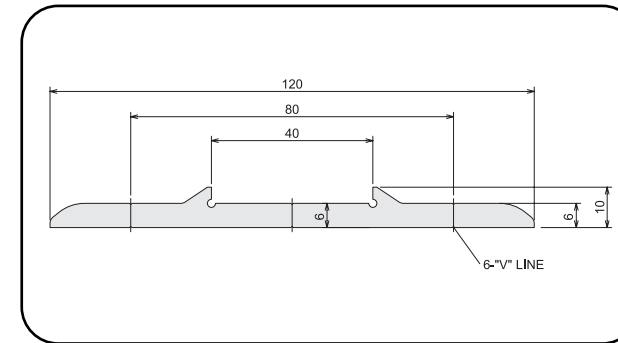
80 X 80



Technical Data (技術 Data)	
Material (材質)	A6N01S-T5
Surface Processing (表面處理)	Anodized
Weight (重量)	2.98kg/m
Section Area (斷面積)	1,099.8mm ²
Second Section Moment (斷面2次 Moment)	$I_x = 20.0 \times 10^6 \text{cm}^4$ $I_y = 84.7 \times 10^6 \text{cm}^4$
Specification (仕様)	4,000mm / 6,000mm
Color (色相)	Silver, Black
Application (用途)	Bracket Profile (브라켓용 프로파일)

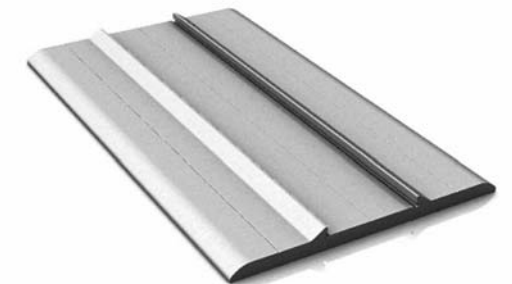


Technical Data (技術 Data)	
Material (材質)	A6N01S-T5
Surface Processing (表面處理)	Anodized
Weight (重量)	1.97kg/m
Section Area (斷面積)	723.9mm ²
Second Section Moment (斷面2次 Moment)	$I_x = 0.27 \times 10^6 \text{cm}^4$ $I_y = 80.1 \times 10^6 \text{cm}^4$
Specification (仕様)	4,000mm / 6,000mm
Color (色相)	Silver, Black
Application (用途)	Joint Levelling base profile (연결베이스용 프로파일)

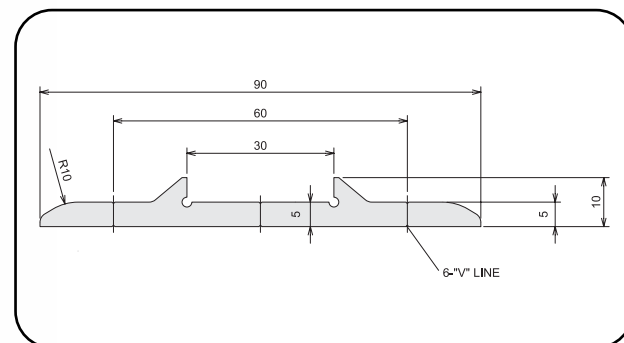


DAF 40120

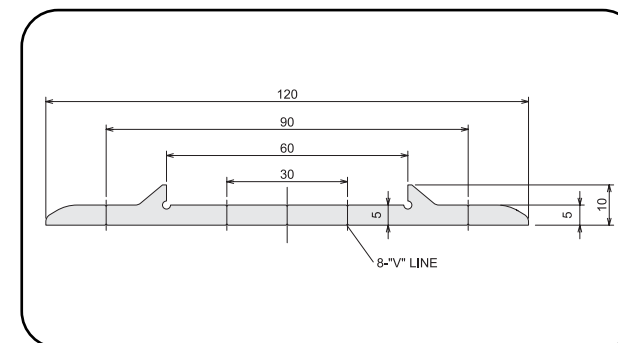
40 X 120



Technical Data (技術 Data)	
Material (材質)	A6N01S-T5
Surface Processing (表面處理)	Anodized
Weight (重量)	1.27kg/m
Section Area (斷面積)	468.1mm ²
Second Section Moment (斷面2次 Moment)	$I_x = 0.2 \times 10^6 \text{cm}^4$ $I_y = 28.3 \times 10^6 \text{cm}^4$
Specification (仕様)	4,000mm / 6,000mm
Color (色相)	Silver, Black
Application (用途)	Joint Levelling base profile (연결베이스용 프로파일)

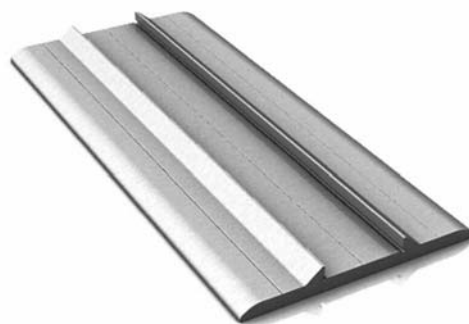


Technical Data (技術 Data)	
Material (材質)	A6N01S-T5
Surface Processing (表面處理)	Anodized
Weight (重量)	1.67kg/m
Section Area (斷面積)	617.7mm ²
Second Section Moment (斷面2次 Moment)	$I_x = 0.2 \times 10^6 \text{cm}^4$ $I_y = 70.0 \times 10^6 \text{cm}^4$
Specification (仕様)	4,000mm / 6,000mm
Color (色相)	Silver, Black
Application (用途)	Joint Levelling base profile (연결베이스용 프로파일)



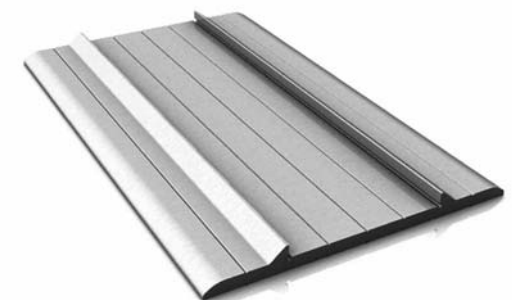
DAF 3090

30 X 90



DAF 60120

60 X 120



Profile

Angle

Duct

Profile Accessory

Conveyor Frame

Air Supply System

AL Tube

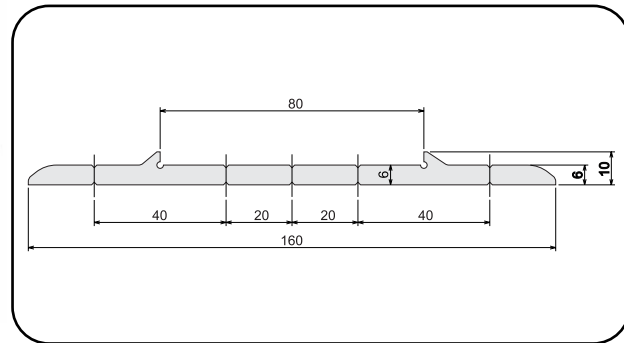
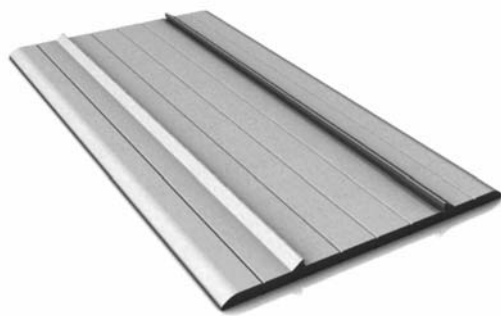
Technical Data

Pipe rack system

DAF 80160

80 X 160

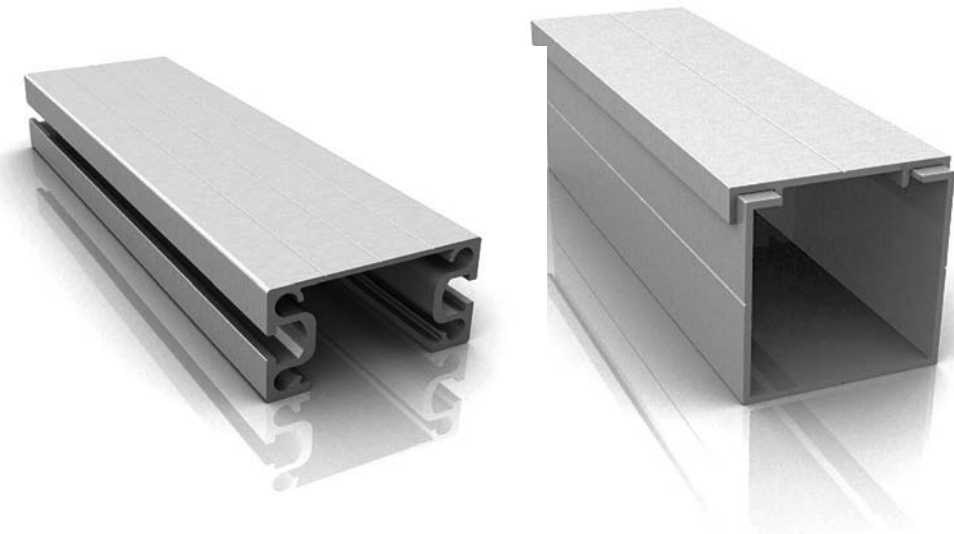
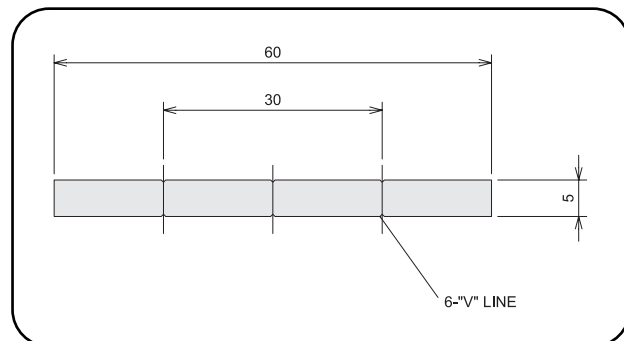
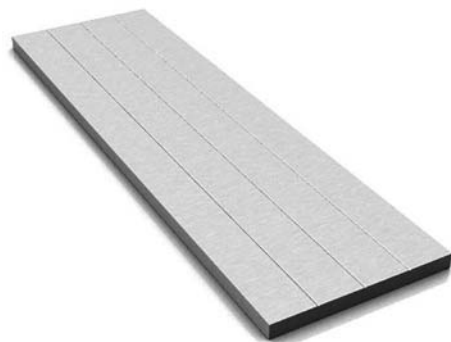
Technical Data (技術 Data)	
Material (材質)	A6N01S-T5
Surface Processing (表面處理)	Anodized
Weight (重量)	2.59kg/m
Section Area (斷面積)	955.4mm ²
Second Section Moment (斷面2次 Moment)	Ix=0.33x10cm ⁴ Iy=194.2x10cm ⁴
Specification (仕様)	4,000mm / 6,000mm
Color (色相)	Silver, Black
Application (用途)	Joint Levelling base profile (연결베이스용 프로파일)



DJF 1060

5 X 60

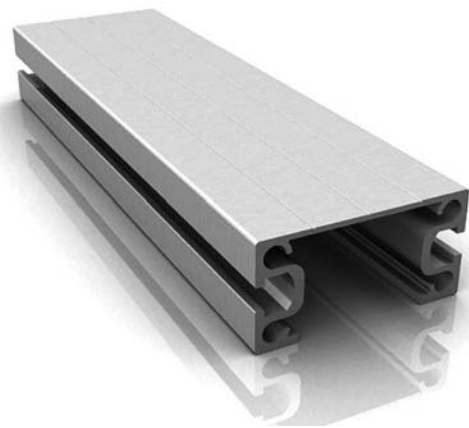
Technical Data (技術 Data)	
Material (材質)	A6N01S-T5
Surface Processing (表面處理)	Anodized
Weight (重量)	0.81kg/m
Section Area (斷面積)	299.5mm ²
Second Section Moment (斷面2次 Moment)	Ix=0.06x10cm ⁴ Iy=9.0x10cm ⁴
Specification (仕様)	4,000mm / 6,000mm
Color (色相)	Silver, Black
Application (用途)	Joint Levelling base profile (결합용 프로파일)



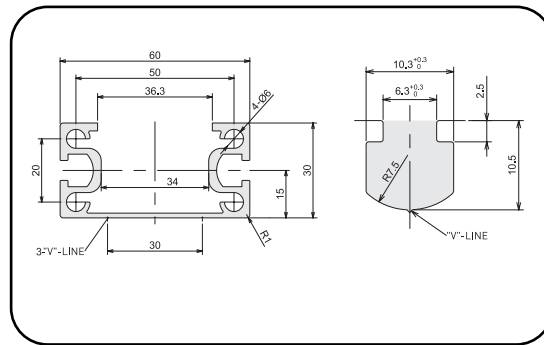
DUCT

DAD 3060

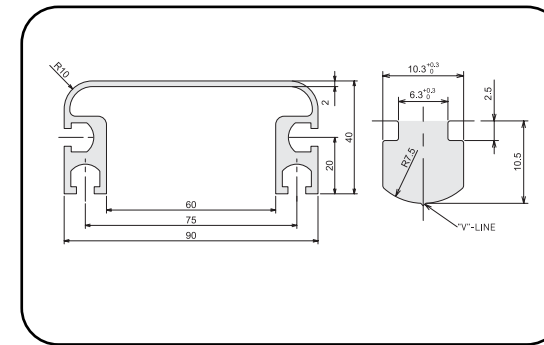
30 X 60



Technical Data (技術 Data)	
Material (材質)	A6N01S-T5
Surface Processing (表面處理)	Anodized
Weight (重量)	1.08kg/m
Section Area (斷面積)	400.0mm ²
Second Section Monent (斷面 2次 Moment)	Ix= 4.2x10cm ⁴ Iy= 21.2x10cm ⁴
Specification (仕様)	4,000mm / 6,000mm
Color (色相)	Silver, Black
Application (用途)	Duct Profile(Electric Cable, Air Tube, Etc) for DAD3160 (전선, 에어배관용 덕트)

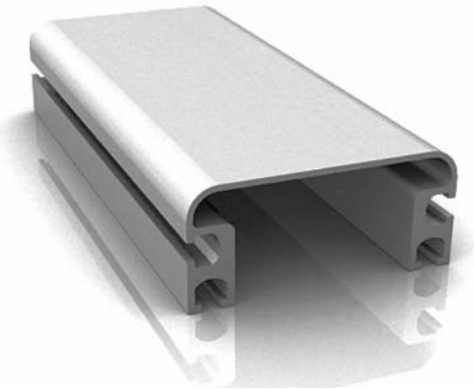


Technical Data (技術 Data)	
Material (材質)	A6N01S-T5
Surface Processing (表面處理)	Anodized
Weight (重量)	1.81kg/m
Section Area (斷面積)	668.0mm ²
Second Section Monent (斷面 2次 Moment)	Ix= 10.1x10cm ⁴ Iy= 78.4x10cm ⁴
Specification (仕様)	4,000mm / 6,000mm
Color (色相)	Silver, Black
Application (用途)	Duct Profile(Electric Cable, Air Tube, Etc) (전선, 에어배관용 덕트)

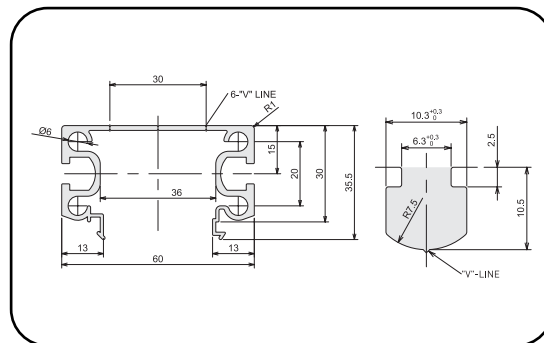


DAD 4090

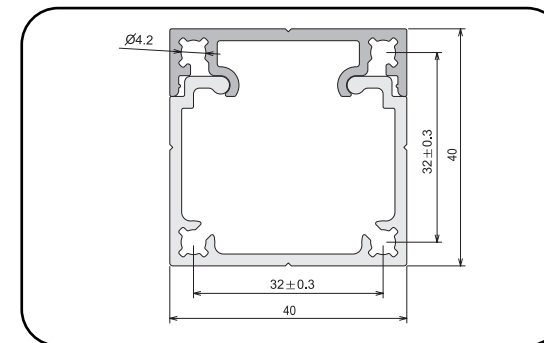
40 X 90



Technical Data (技術 Data)	
Material (材質)	A6N01S-T5
Surface Processing (表面處理)	Anodized
Weight (重量)	0.99kg/m
Section Area (斷面積)	365.6mm ²
Second Section Monent (斷面 2次 Moment)	Ix= 4.1x10cm ⁴ Iy= 19.4x10cm ⁴
Specification (仕様)	4,000mm / 6,000mm
Color (色相)	Silver, Black
Application (用途)	Duct Profile(Electric Cable, Air Tube, Etc) for DAD3160 (전선, 에어배관용 덕트)



Technical Data (技術 Data)	
Material (材質)	A6N01S-T5
Surface Processing (表面處理)	Anodized
Weight (重量)	C:0.42kg/m, B:0.67kg/m
Specification (仕様)	4,000mm / 6,000mm
Color (色相)	Silver, Black
Application (用途)	Duct Profile(Electric Cable, Air Tube, Etc) (전선, 에어배관용 덕트)



DAD 4040

40 X 40



DAD 3160

31 X 60



Profile

Angle

Duct

Profile Accessory

Conveyor Frame

Air Supply System

AL Tube

Technical Data

Pipe rack system

Profile

Angle

Duct

Profile Accessory

Conveyor Frame

Air Supply System

AL Tube

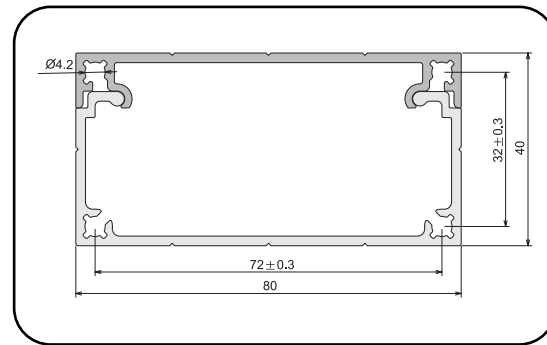
Technical Data

Pipe rack system

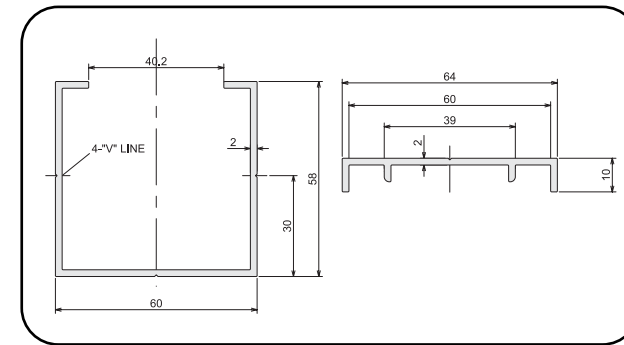
DAD 4080

40 X 80

Technical Data (技術 Data)	
Material (材質)	A6N01S-T5
Surface Processing (表面處理)	Anodized
Weight (重量)	C:0.64kg/m, B:0.89kg/m
Specification (仕様)	4,000mm / 6,000mm
Color (色相)	Silver, Black
Application (用途)	Duct Profile(Electric Cable, Air Tube, Etc) (전선, 에어배관용 덕트)

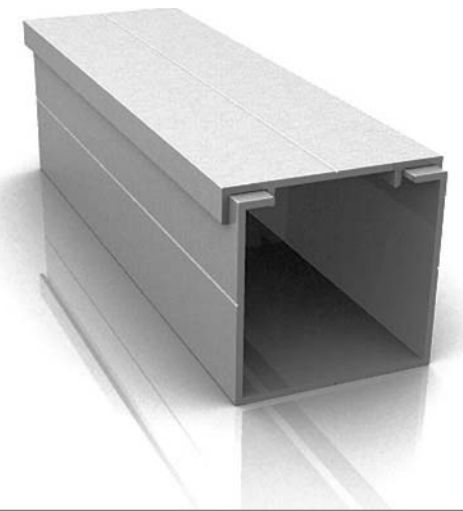


Technical Data (技術 Data)	
Material (材質)	A6N01S-T5
Surface Processing (表面處理)	Anodized
Weight (重量)	C:0.49kg/m, B:1.02kg/m
Specification (仕様)	4,000mm / 6,000mm
Color (色相)	Silver, Black
Application (用途)	Duct Profile(Electric Cable, Air Tube, Etc) (전선, 에어배관용 덕트)



DAD 6060

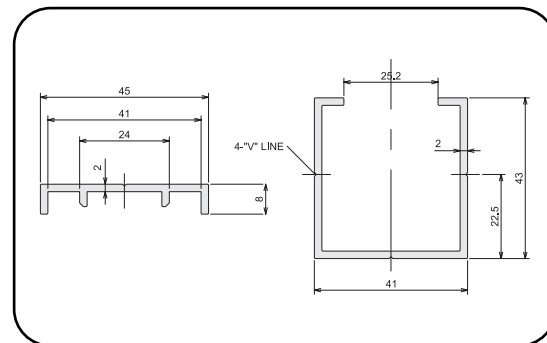
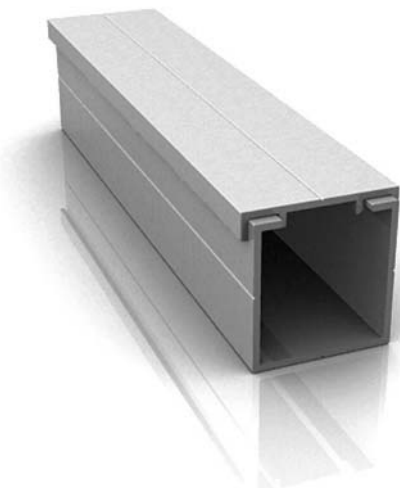
60 X 60



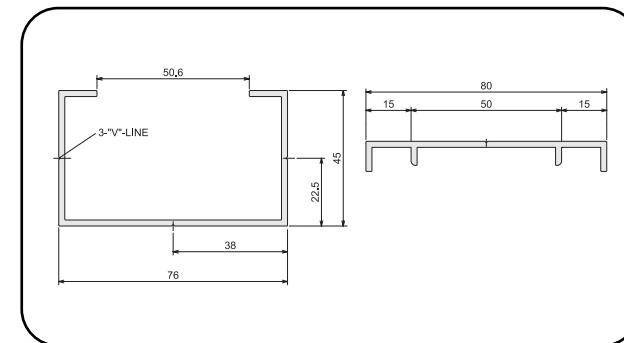
Technical Data (技術 Data)	
Material (材質)	A6N01S-T5
Surface Processing (表面處理)	Anodized
Weight (重量)	C:0.35kg/m, B:0.73kg/m
Specification (仕様)	4,000mm / 6,000mm
Color (色相)	Silver, Black
Application (用途)	Duct Profile(Electric Cable, Air Tube, Etc) (전선, 에어배관용 덕트)

DAD 4545

45 X 45

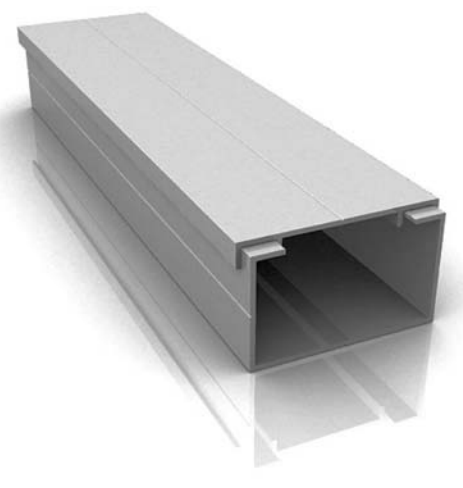


Technical Data (技術 Data)	
Material (材質)	A6N01S-T5
Surface Processing (表面處理)	Anodized
Weight (重量)	C:0.58kg/m, B:0.99kg/m
Specification (仕様)	4,000mm / 6,000mm
Color (色相)	Silver, Black
Application (用途)	Duct Profile(Electric Cable, Air Tube, Etc) (전선, 에어배관용 덕트)



DAD 8045

80 X 45



Profile

Angle

Duct

Profile Accessory

Conveyor Frame

Air Supply System

AL Tube

Technical Data

Pipe rack system

Profile

Angle

Duct

Profile Accessory

Conveyor Frame

Air Supply System

AL Tube

Technical Data

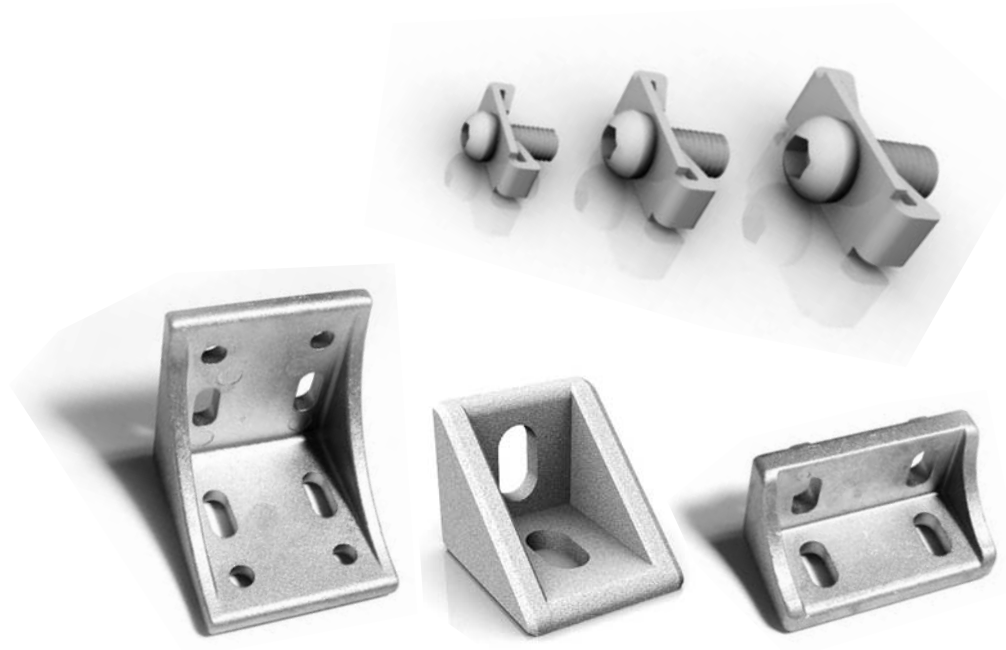
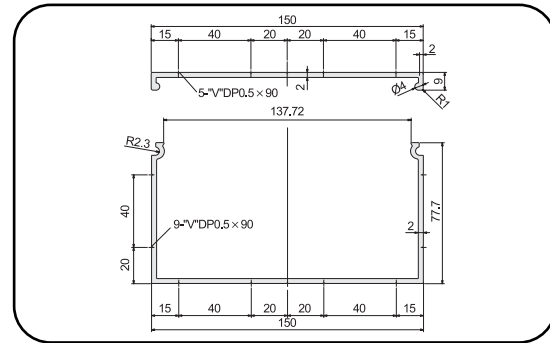
Pipe rack system

- Profile
- Angle
- Duct
- Profile Accessory
- Conveyor Frame
- Air Supply System
- AL Tube
- Technical Data
- Pipe rack system

DAD 15080

150 X 80

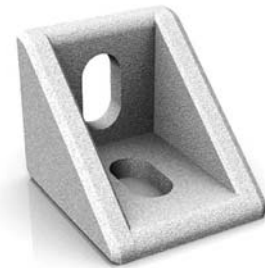
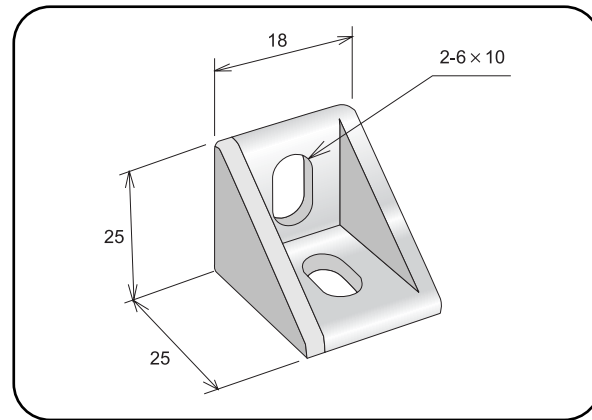
Technical Data (技術 Data)	
Material (材質)	A6N01S-T5
Surface Processing (表面處理)	Anodized
Weight (重量)	C:0.49kg/m, B:1.02kg/m
Specification (仕様)	4,000mm / 6,000mm
Color (色相)	Silver, Black
Application (用途)	Duct Profile(Electric Cable, Air Tube, Etc) (전선, 에어배관용 덕트)



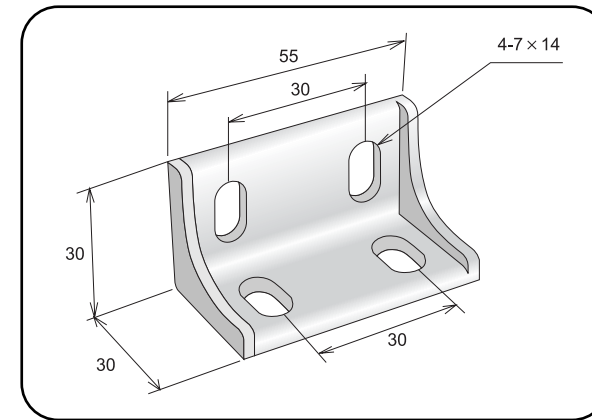
PROFILE Accessory

AL BRACKET
DCB 2025
20 X 25

Technical Data (技術 Data)	
Material (材質)	Zn
Color (色相)	Silver
Application (用途)	Assembly part for 20mm Profile (20mm 프로파일용 연결부품)

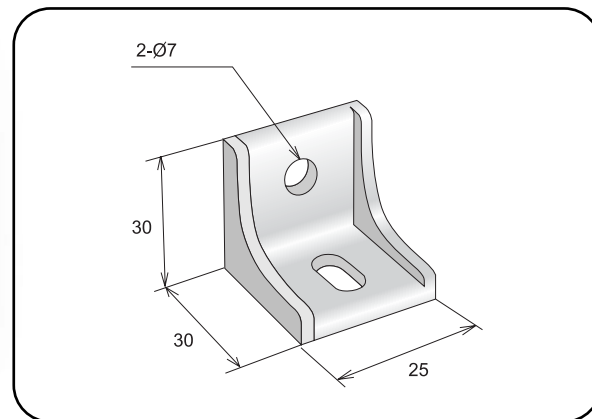


Technical Data (技術 Data)	
Material (材質)	ALDC-8
Color (色相)	Bright
Application (用途)	Assembly part for 60mm profile (60mm 프로파일용 연결부품)

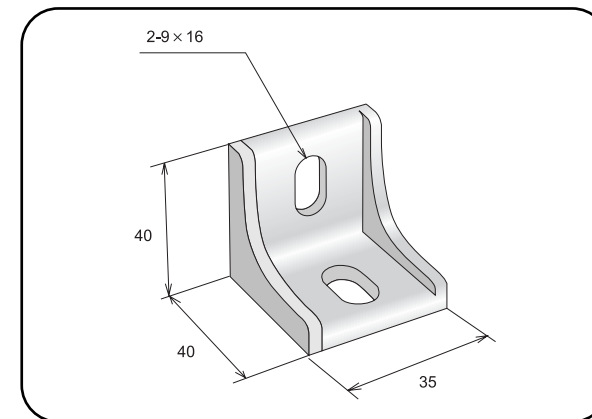


AL BRACKET
DCB 3025
30 X 25

Technical Data (技術 Data)	
Material (材質)	ALDC-8
Color (色相)	Bright
Application (用途)	Assembly part for 30mm Profile (30mm 프로파일용 연결부품)

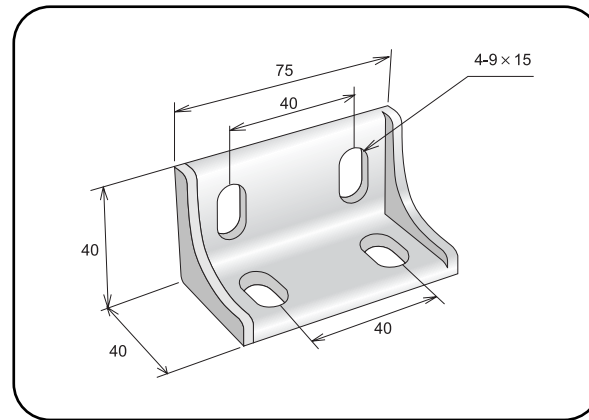


Technical Data (技術 Data)	
Material (材質)	ALDC-8
Color (色相)	Bright
Application (用途)	Assembly part for 60mm Profile (60mm 프로파일용 연결부품)

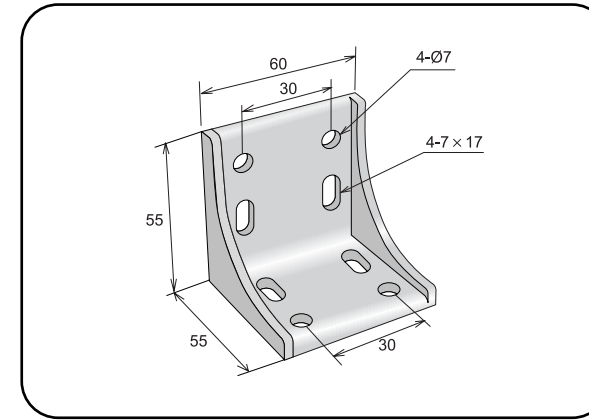


AL BRACKET
DCB 4075
40 X 75

Technical Data (技術 Data)	
Material (材質)	ALDC-8
Color (色相)	Bright
Application (用途)	Assembly part for 80mm Profile Ø0mm 프로파일용 연결부품



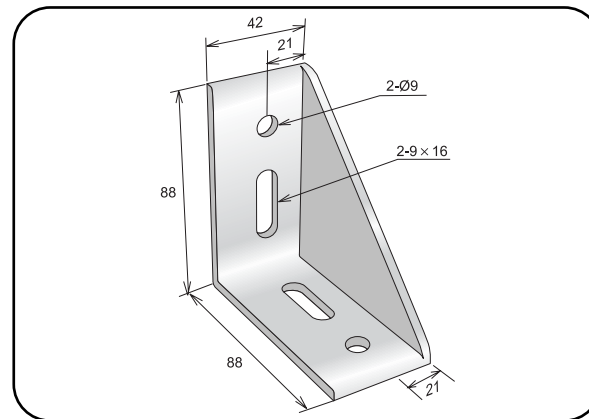
Technical Data (技術 Data)	
Material (材質)	A6N01S-T5
Color (色相)	Bright
Application (用途)	Assembly part for 60mm profile Ø0mm 프로파일용 연결부품



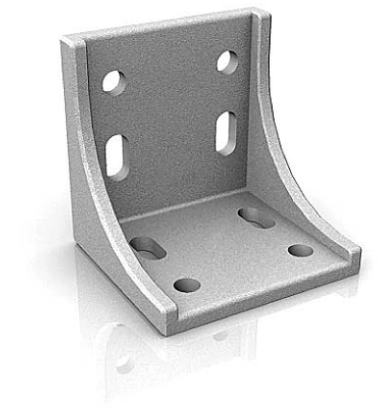
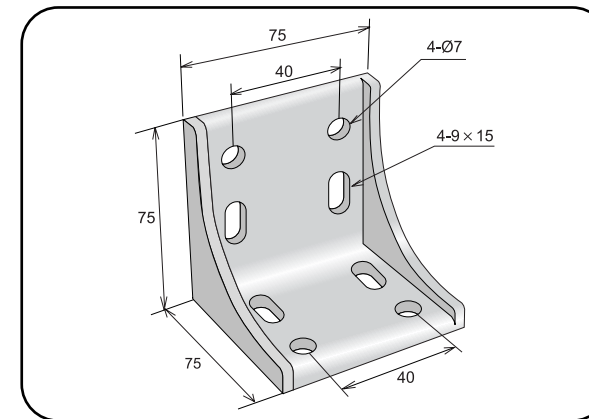
AL BRACKET
DCB 5560
55 X 60

AL BRACKET
DCB 4288
42 X 88

Technical Data (技術 Data)	
Material (材質)	ALDC-8
Color (色相)	Bright
Application (用途)	Assembly part for 45mm Profile (45mm 프로파일용 연결부품)



Technical Data (技術 Data)	
Material (材質)	ALDC-8
Color (色相)	Bright
Application (用途)	Assembly part for 80mm Profile Ø0mm 프로파일용 연결부품



AL BRACKET
DCB 7575
75 X 75

Profile

Angle

Duct

Profile Accessory

Conveyor Frame

Air Supply System

AL Tube

Technical Data

Pipe rack system

Profile

Angle

Duct

Profile Accessory

Conveyor Frame

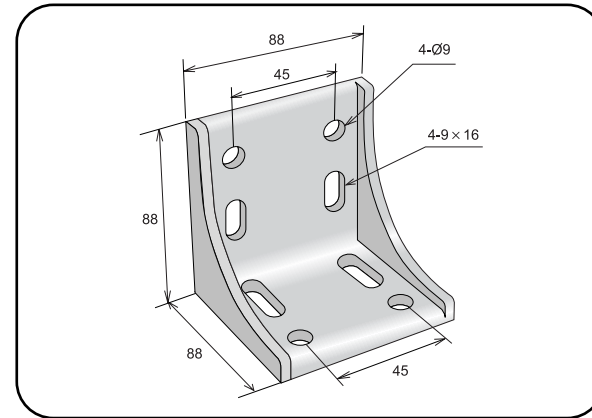
Air Supply System

AL Tube

Technical Data

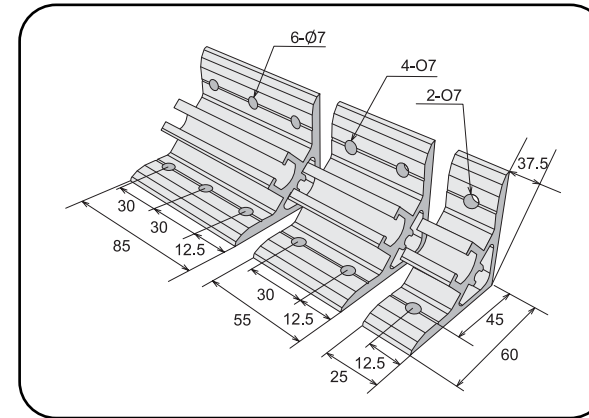
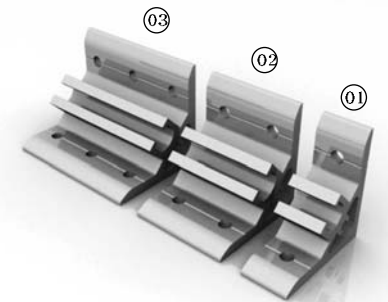
Pipe rack system

AL BRACKET
DCB 8888
88 × 88



Technical Data (技術 Data)	
Material (材質)	ALDC-8
Color (色相)	Bright
Application (用途)	Assembly part for 90mm Profile Ø9mm 프로파일용 연결부품

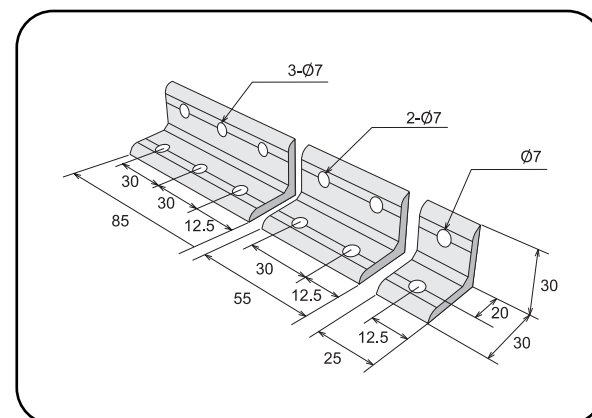
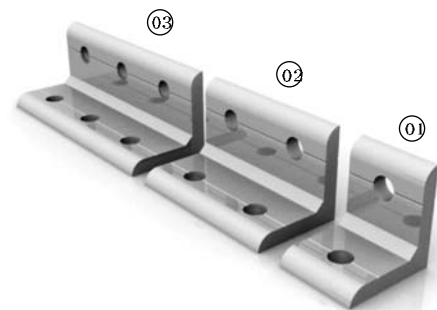
AL BRACKET
STANDARD BRACKET
ORDER-MADE PRODUCT
가공품 주문사양



NO	Number for Product	Material	Application
01	DAL 6025-6	A6NO1S-T5	Joint for 30mm wide frame (연결 부품)
02	DAL 6055-6	A6NO1S-T5	Joint for 60mm wide frame (연결 부품)
03	DAL 6085-6	A6NO1S-T5	Joint for 90mm wide frame (연결 부품)



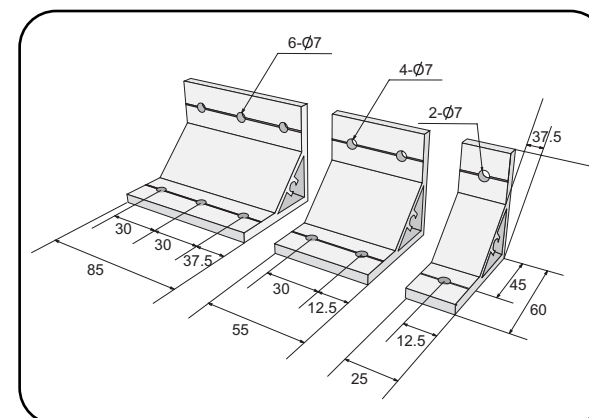
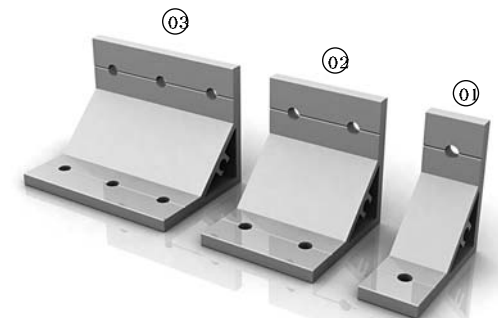
AL BRACKET
STANDARD BRACKET
ORDER-MADE PRODUCT
가공품 주문사양



NO	Number for Product	Material	Application
01	DAL 3025-6	A6NO1S-T5	Joint for 30mm wide frame (연결 부품)
02	DAL 3055-6	A6NO1S-T5	Joint for 60mm wide frame (연결 부품)
03	DAL 3085-6	A6NO1S-T5	Joint for 90mm wide frame (연결 부품)



AL BRACKET
STANDARD BRACKET
ORDER-MADE PRODUCT
가공품 주문사양



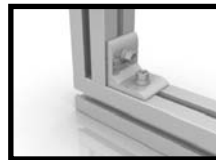
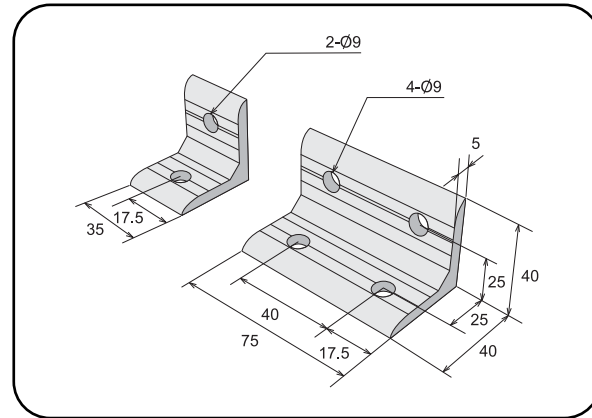
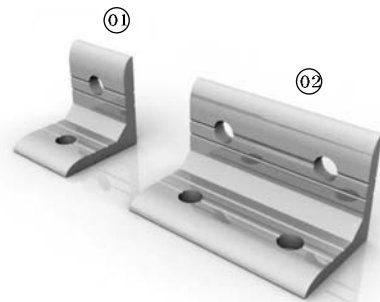
NO	Number for Product	Material	Application
01	DAL 6025-6-1	A6NO1S-T5	Joint for 40mm wide frame (연결 부품)
02	DAL 6055-6-1	A6NO1S-T5	Joint for 80mm wide frame (연결 부품)
03	DAL 6085-6-1	A6NO1S-T5	Joint for 120mm wide frame (연결 부품)



AL BRACKET
**STANDARD
BRACKET**

ORDER-MADE PRODUCT

가공품 주문사양
(中荷重用)

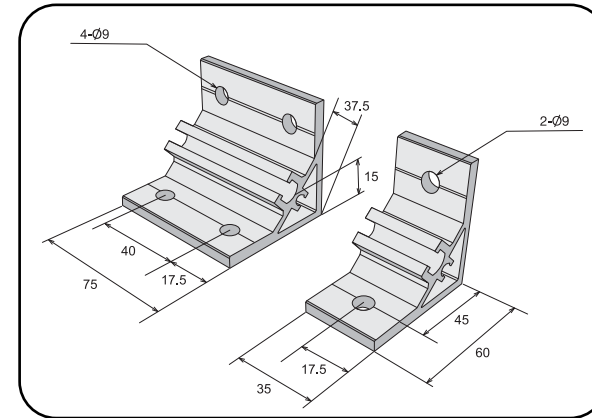
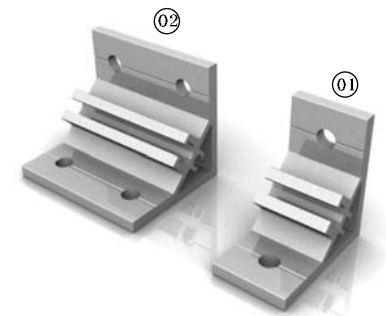


NO	Number for Product	Material	Application
01	DAL 4035-8	A6NO1S-T5	Joint for 40mm wide frame (연결 부품)
02	DAL 4075-8	A6NO1S-T5	Joint for 80mm wide frame (연결 부품)

AL BRACKET
**STANDARD
BRACKET**

ORDER-MADE PRODUCT

가공품 주문사양

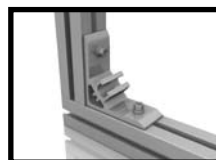
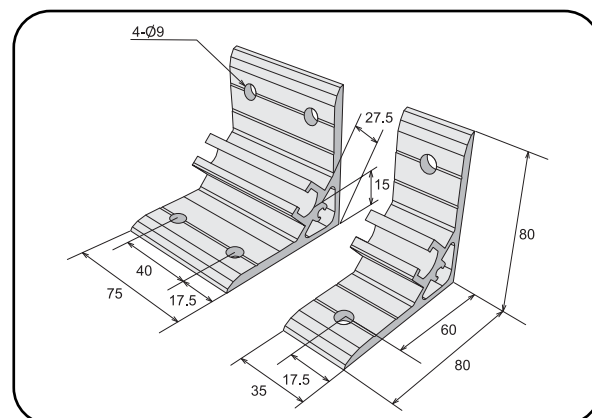
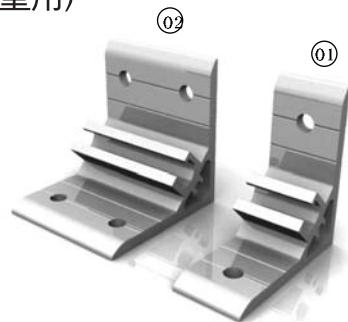


NO	Number for Product	Material	Application
01	DAL 6035-8	A6NO1S-T5	Joint for 40mm wide frame (연결 부품)
02	DAL 6075-8	A6NO1S-T5	Joint for 80mm wide frame (연결 부품)

AL BRACKET
**STANDARD
BRACKET**

ORDER-MADE PRODUCT

가공품 주문사양
(中荷重用)

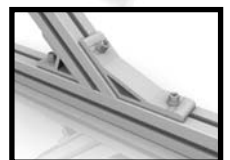
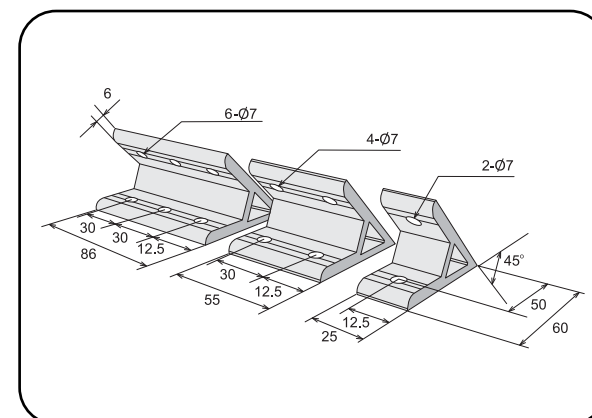
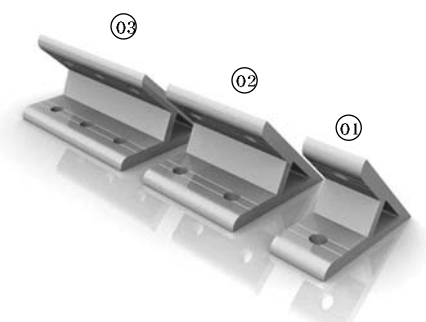


NO	Number for Product	Material	Application
01	DAL 8035-8	A6NO1S-T5	Joint for 40mm wide frame (연결 부품)
02	DAL 8075-8	A6NO1S-T5	Joint for 80mm wide frame (연결 부품)

AL BRACKET
**TRY
BRACKET**

ORDER-MADE PRODUCT

가공품 주문사양



NO	Number for Product	Material	Application
01	DAL 4525-6	A6NO1S-T5	Joint for 30mm wide frame (연결 부품)
02	DAL 4555-6	A6NO1S-T5	Joint for 60mm wide frame (연결 부품)
02	DAL 4585-6	A6NO1S-T5	Joint for 90mm wide frame (연결 부품)

Profile

Angle

Duct

Profile Accessory

Conveyor Frame

Air Supply System

AL Tube

Technical Data

Pipe rack system

Profile

Angle

Duct

Profile Accessory

Conveyor Frame

Air Supply System

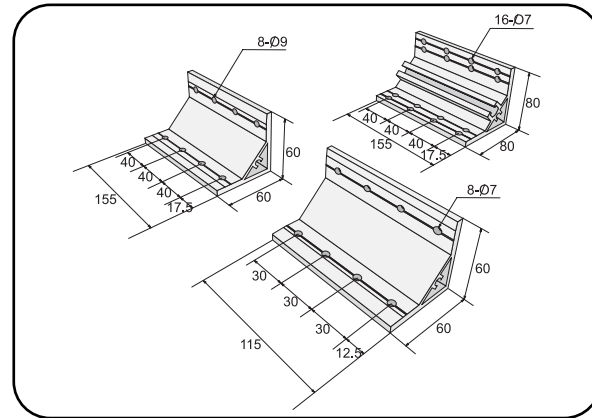
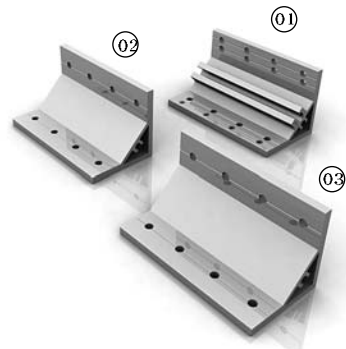
AL Tube

Technical Data

Pipe rack system

AL BRACKET STANDARD BRACKET

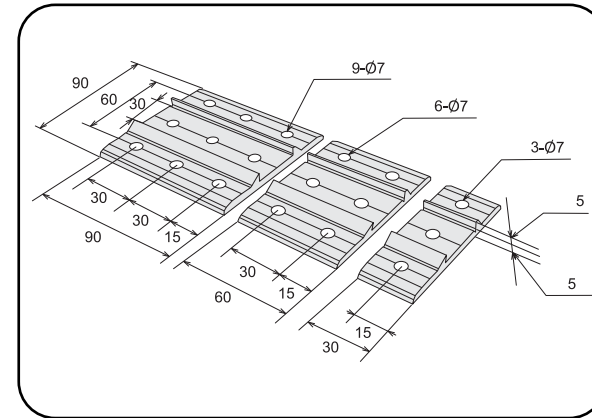
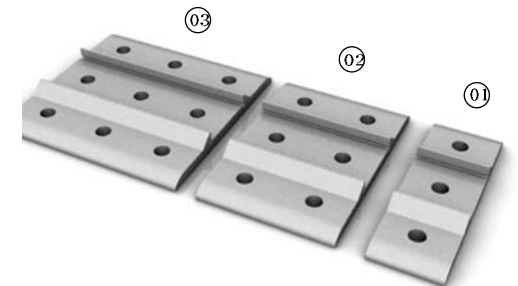
ORDER-MADE PRODUCT
가공품 주문사항



NO	Number for Product	Material	Application
01	DAL 80155-8	A6NO1S-T5	Joint for 160mm wide frame (연결 부품)
02	DAL 60155-8	A6NO1S-T5	Joint for 160mm wide frame (연결 부품)
03	DAL 60115-8	A6NO1S-T5	Joint for 120mm wide frame (연결 부품)

AL BRACKET FLAT BRACKET

ORDER-MADE PRODUCT
가공품 주문사항

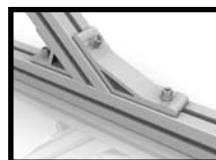
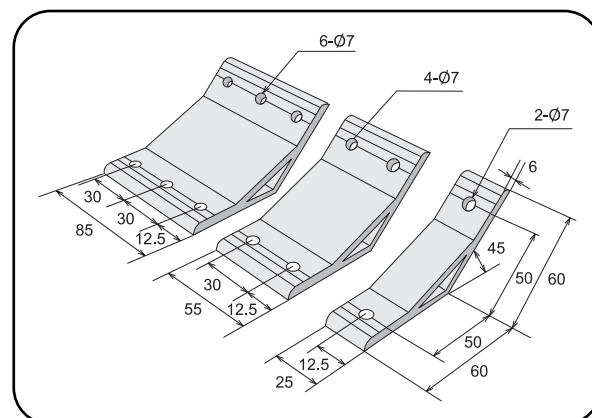
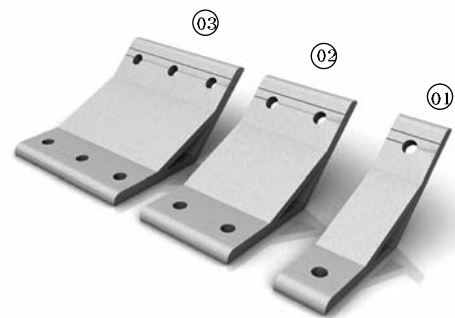


NO	Number for Product	Material	Application
01	DAF 3030-6	A6NO1S-T5	Part for Jointing for 3030mm profile as 'T' type (연결 부품)
02	DAF 3060-6	A6NO1S-T5	Part for Jointing for 3060mm profile as 'T' type (연결 부품)
03	DAF 3090-6	A6NO1S-T5	Part for Jointing for 3090mm profile as 'T' type (연결 부품)



AL BRACKET STANDARD BRACKET

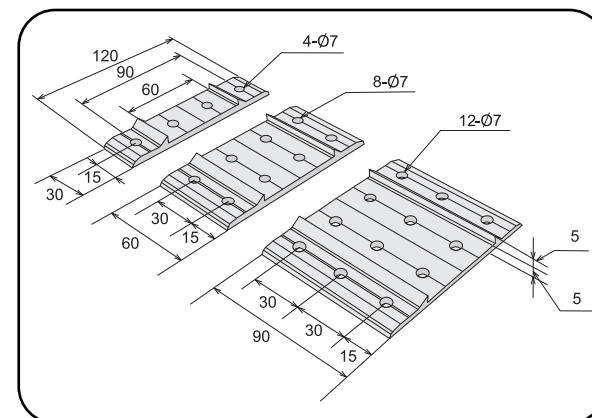
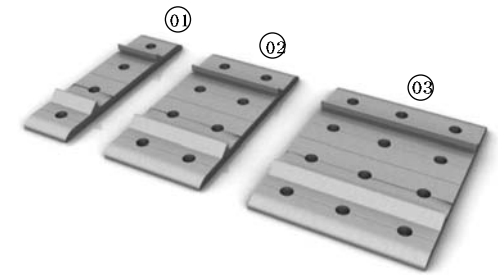
ORDER-MADE PRODUCT
가공품 주문사항



NO	Number for Product	Material	Application
01	DAL 13525-6	A6NO1S-T5	Joint for 30mm wide frame (연결 부품)
02	DAL 13555-6	A6NO1S-T5	Joint for 60mm wide frame (연결 부품)
03	DAL 13585-6	A6NO1S-T5	Joint for 90mm wide frame (연결 부품)

AL BRACKET FLAT BRACKET

ORDER-MADE PRODUCT
가공품 주문사항
(中荷重用)

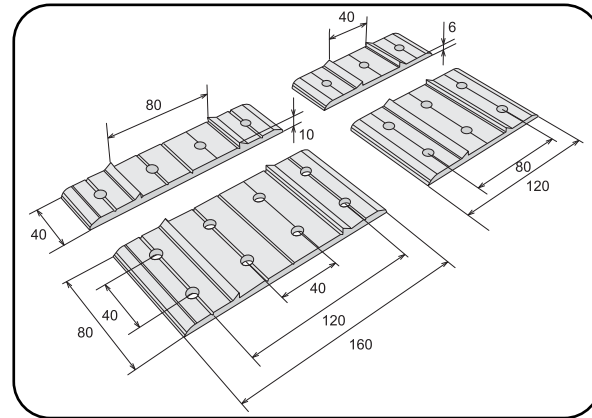
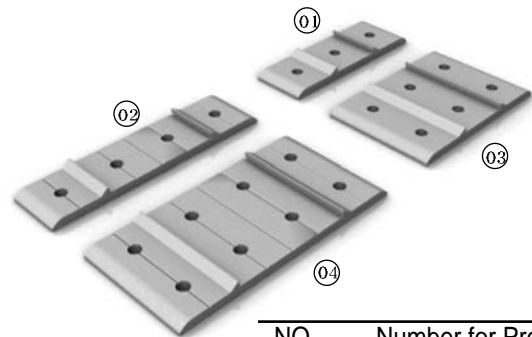


NO	Number for Product	Material	Application
01	DAF 6030-6	A6NO1S-T5	Part for Jointing for 6030mm profile as 'T' type (연결 부품)
02	DAF 6060-6	A6NO1S-T5	Part for Jointing for 6060mm profile as 'T' type (연결 부품)
03	DAF 6090-6	A6NO1S-T5	Part for Jointing for 6090mm profile as 'T' type (연결 부품)



AL BRACKET
FLAT BRACKET

ORDER-MADE PRODUCT
가공품 주문시양

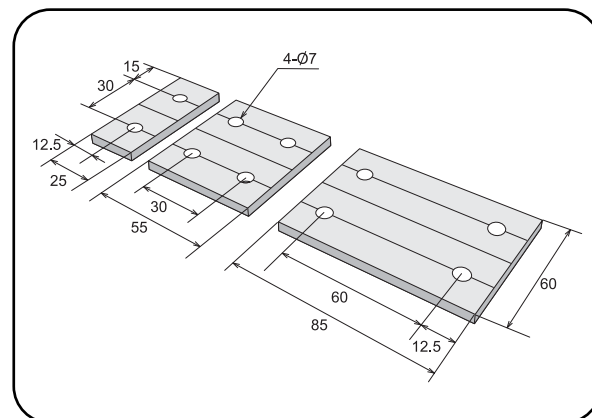
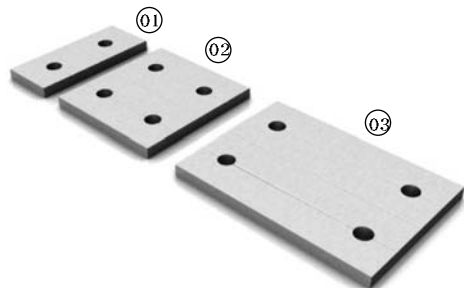


NO	Number for Product	Material	Application
01	DAF 4040-8	A6NO1S-T5	Part for Jointing for 4040mm profile as 'T' type (연결부품)
02	DAF 8040-8	A6NO1S-T5	Part for Jointing for 8040mm profile as 'T' type (연결부품)
03	DAF 4080-8	A6NO1S-T5	Part for Jointing for 4080mm profile as 'T' type (연결부품)
04	DAF 8080-8	A6NO1S-T5	Part for Jointing for 8080mm profile as 'T' type (연결부품)



AL BRACKET
SUB PLATE BRACKET

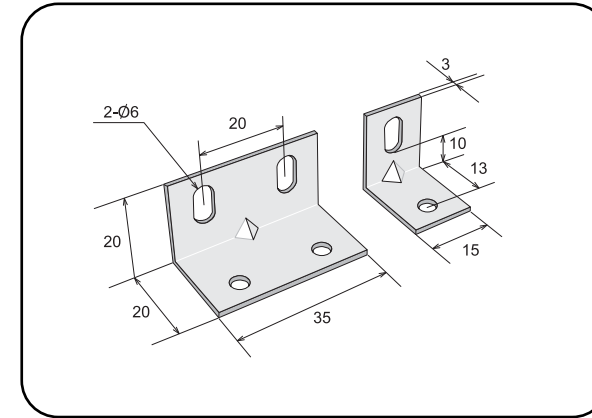
ORDER-MADE PRODUCT
가공품 주문시양



NO	Number for Product	Material	Application
01	DJF 6025	A6NO1S-T5	Used as reinforcement of joint part (연결 부품)
02	DJF 6055	A6NO1S-T5	Used as reinforcement of joint part (연결 부품)
03	DJF 6085	A6NO1S-T5	Used as reinforcement of joint part (연결 부품)



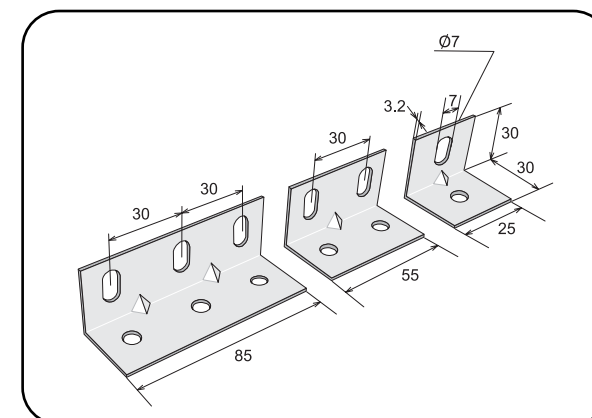
STEEL BRACKET
STANDARD BRACKET



NO	Number for Product	Material	Application
01	DSB 2015-5	SS41	Joint for 20mm wide frame (연결 부품)
02	DSB 2035-5	SS41	Joint for 20mm wide frame (연결 부품)



STEEL BRACKET
STANDARD BRACKET



NO	Number for Product	Material	Application
01	DSB 3025-6	SS41	Joint for 30mm wide frame (연결 부품)
02	DSB 3055-6	SS41	Joint for 60mm wide frame (연결 부품)
03	DSB 3085-6	SS41	Joint for 90mm wide frame (연결 부품)



Profile

Angle

Duct

Profile Accessory

Conveyor Frame

Air Supply System

AL Tube

Technical Data

Pipe rack system

Profile

Angle

Duct

Profile Accessory

Conveyor Frame

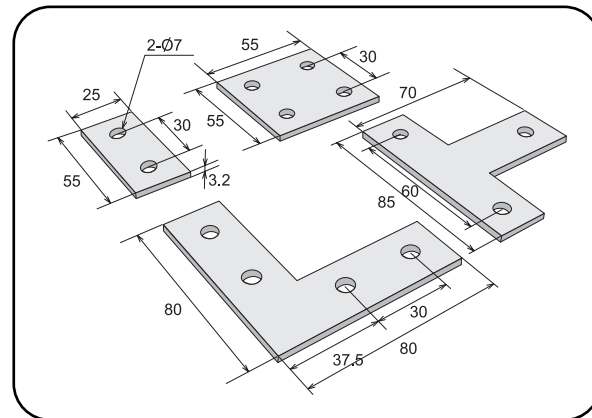
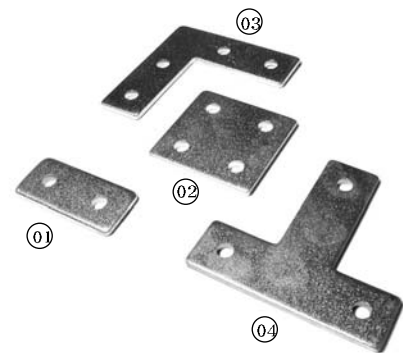
Air Supply System

AL Tube

Technical Data

Pipe rack system

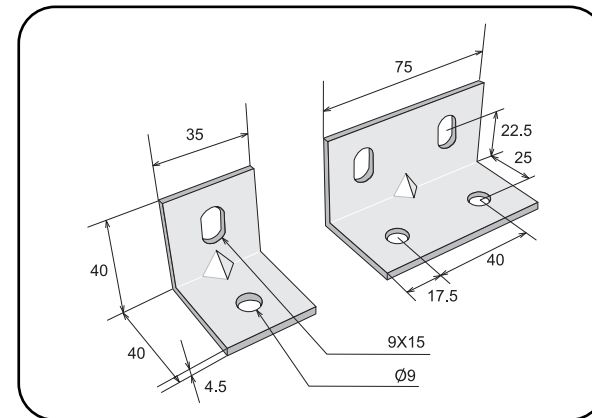
STEEL BRACKET
**PLATE
BRACKET**



NO	Number for Product	Material	Application
01	DSB 2555-6	SS41	Joint for 30mm wide frame (연결 부품)
02	DSB 5555-6	SS41	Joint for 60mm wide frame (연결 부품)
03	DSB 8080-6	SS41	Joint for 30mm wide frame (연결 부품)
04	DSB 2585-6	SS41	Joint for 30mm wide frame (연결 부품)



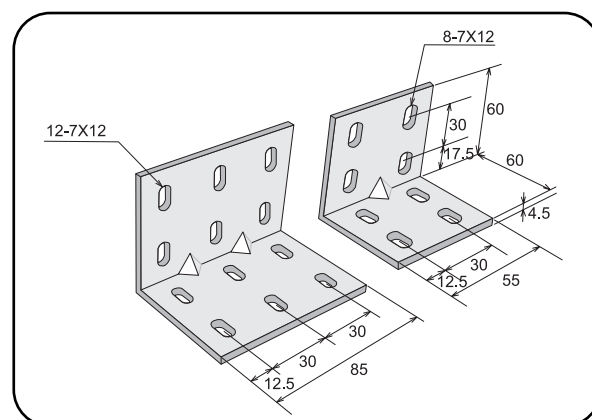
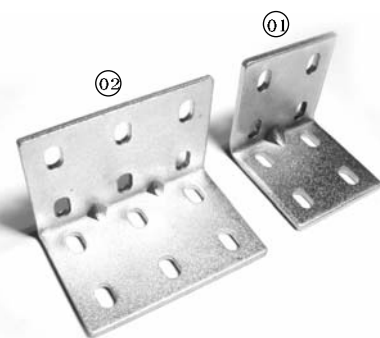
STEEL BRACKET
**STANDARD
BRACKET**



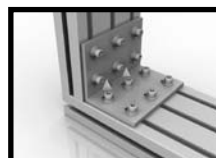
NO	Number for Product	Material	Application
01	DSB 4035-8	SS41	Joint for 40mm wide frame (연결 부품)
02	DSB 4075-8	SS41	Joint for 80mm wide frame (연결 부품)



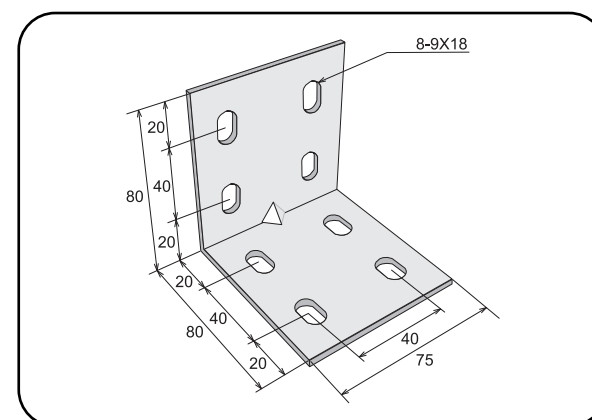
STEEL BRACKET
**STANDARD
BRACKET**



NO	Number for Product	Material	Application
01	DSB 5560-6	SS41	Joint for 60mm wide frame (연결 부품)
02	DSB 8560-6	SS41	Joint for 90mm wide frame (연결 부품)



STEEL BRACKET
**STANDARD
BRACKET
(HEAVY DUTY)**



NO	Number for Product	Material	Application
01	DSB 7580	SS41	Joint for 80mm wide frame (연결 부품)



Profile

Angle

Duct

Profile Accessory

Conveyor Frame

Air Supply System

AL Tube

Technical Data

Pipe rack system

Profile

Angle

Duct

Profile Accessory

Conveyor Frame

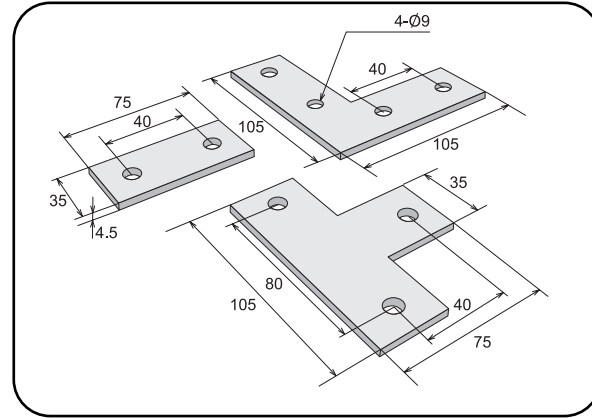
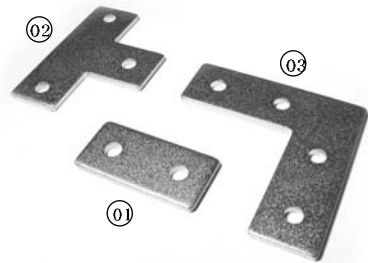
Air Supply System

AL Tube

Technical Data

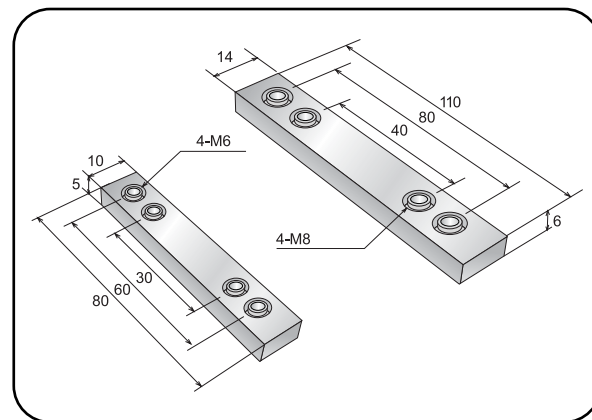
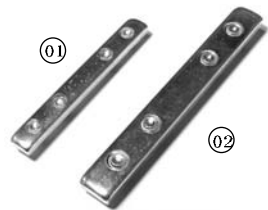
Pipe rack system

STEEL BRACKET
**PLATE
BRACKET**



NO	Number for Product	Material	Application
01	DSB 3575-8	SS41	Joint for 40mm wide frame (연결 부품)
02	DSB 75105-8	SS41	Joint for 40mm wide frame (연결 부품)
03	DSB 105105-8	SS41	Joint for 40mm wide frame (연결 부품)

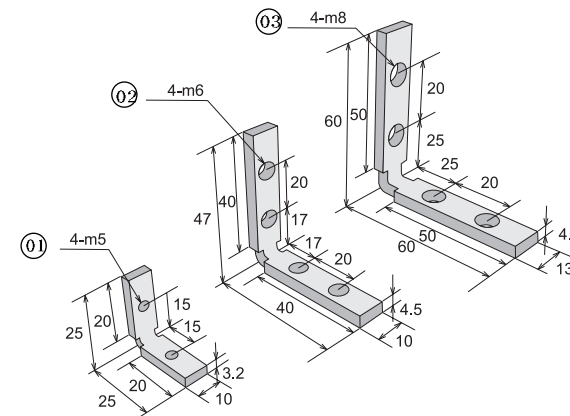
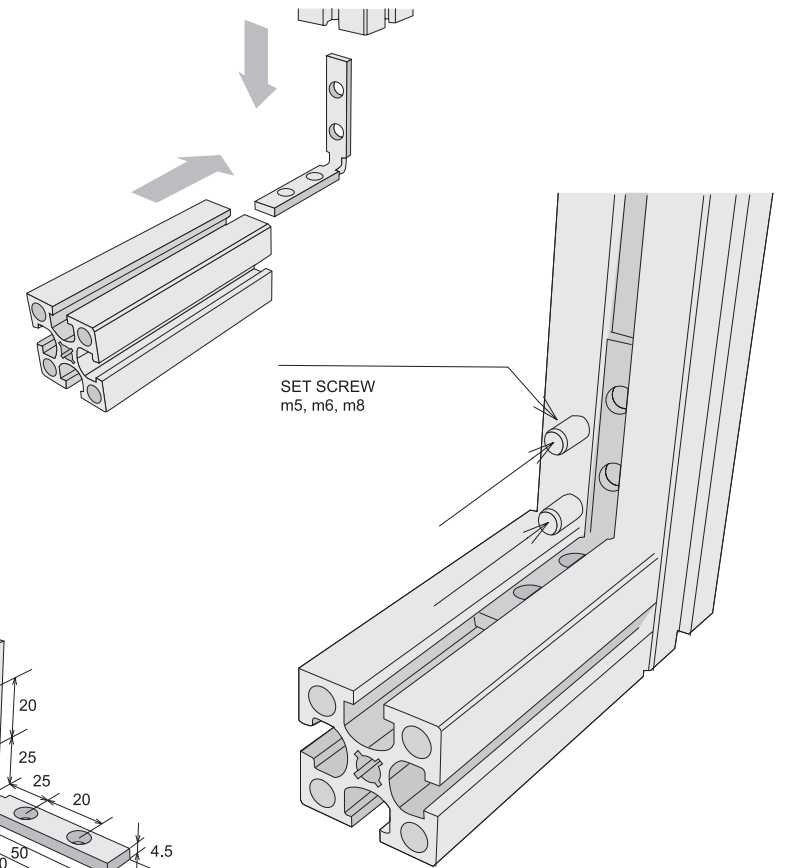
STEEL BRACKET
**LONG
NUT**
(M6, M8)



NO	Number for Product	Material	Application
01	DLN-06	SS41	joint for 6mm slot (연결 부품)
02	DLN-06	SS41	joint for 8mm slot (연결 부품)

INNER BRACKET
**Assembly part without
BRACKET**

(브라켓 없이 조립할수 있는 부품)



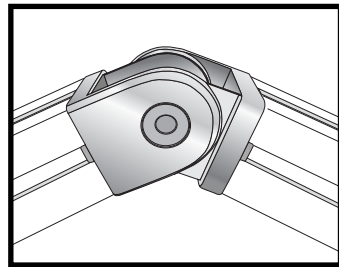
NO	Number for Product	Material	Application
01	DIB 2020	SS41	20mm Series profile
02	DIB 3030	SS41	30mm Series profile
03	DIB 4040	SS41	40mm Series profile

Profile
Angle
Duct
Profile Accessory
Conveyor Frame
Air Supply System
AL Tube
Technical Data
Pipe rack system

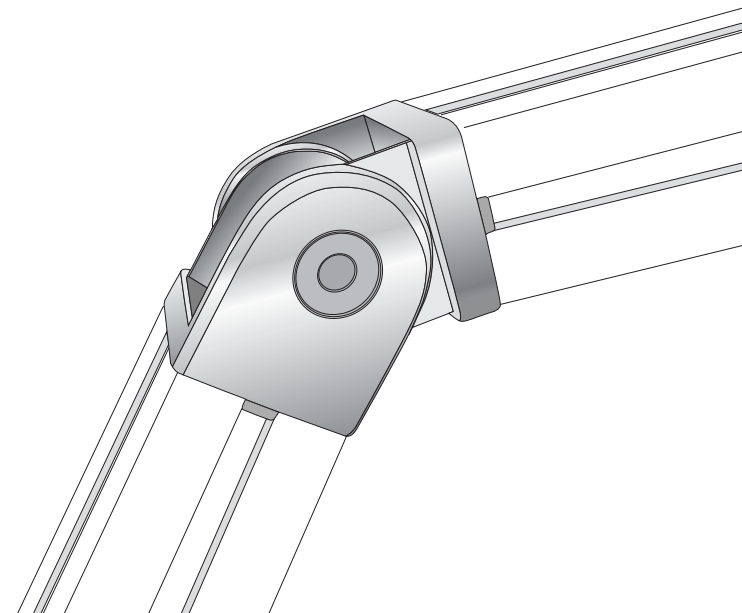
Profile
Angle
Duct
Profile Accessory
Conveyor Frame
Air Supply System
AL Tube
Technical Data
Pipe rack system

ANGLE JOINT BRACKET

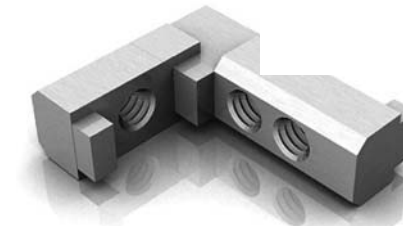
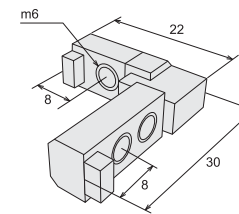
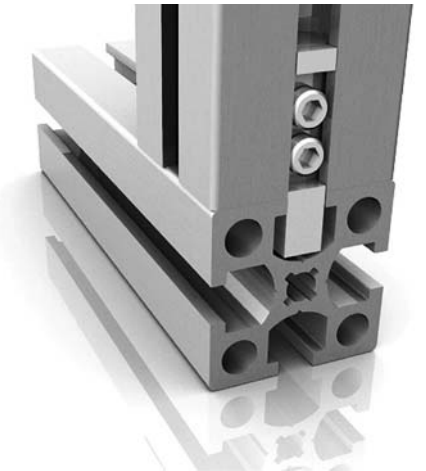
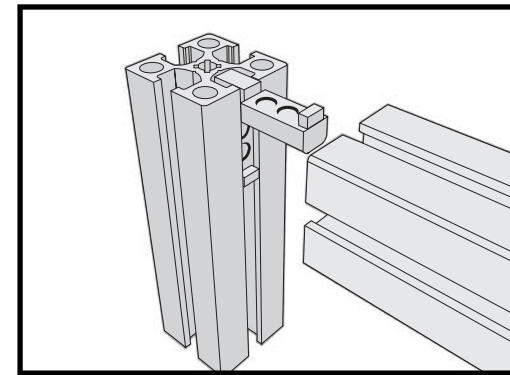
각도 조절 브라켓



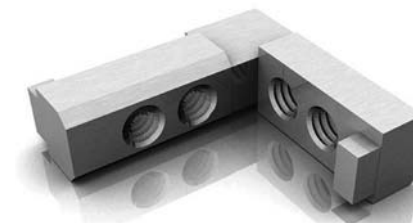
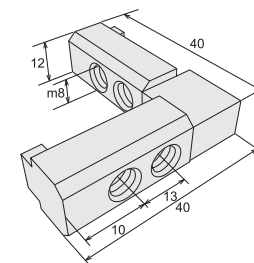
Technical Data (技術 Data)	
DAJ-06	
Material (材質)	Precision-cast zinc
Application (用途)	Assembly part for 30mm AL Profile (30mm 프로파일용 연결부품)
DAJ-08	
Material (材質)	Precision-cast zinc
Application (用途)	Assembly part for 40mm AL Profile (40mm 프로파일용 연결부품)



INNER BRACKET DIB 3022/4035



Technical Data (技術 Data)	
DIB 3022 (M6 SERIES)	
Material (材質)	ZINC Diecasting
Application (用途)	Assembly part without bracket(6mm sb) 브라켓없이 조립할수 있는 부품(6mm sb)



Technical Data (技術 Data)	
DIB 4035 (M8 SERIES)	
Material (材質)	ZINC Diecasting
Application (用途)	Assembly part without bracket(6mm sb) 브라켓없이 조립할수 있는 부품(6mm sb)

Profile

Angle

Duct

Profile Accessory

Conveyor Frame

Air Supply System

AL Tube

Technical Data

Pipe rack system

Profile

Angle

Duct

Profile Accessory

Conveyor Frame

Air Supply System

AL Tube

Technical Data

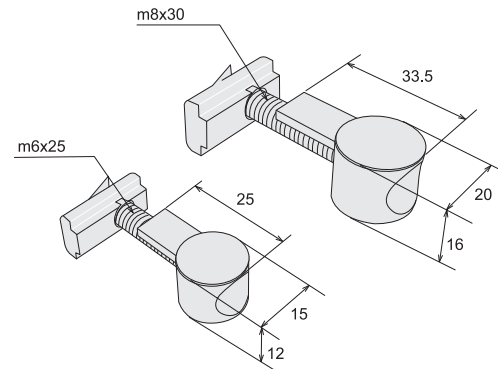
Pipe rack system

UNIVERSAL JOINT

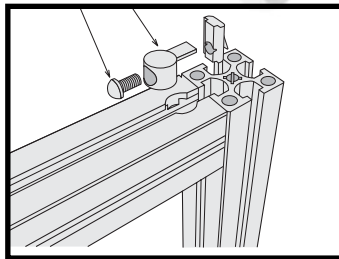
프로파일 연결부품

DUJ 408

DUJ 306



Technical Data (技術 Data)	
DUJ 306 / DSN 05 / DSN 06	
Material (材質)	Precision-cast zinc
Surface Processing (表面處理)	Nickel plated
Application (用途)	Assembly part for 5/6mm slot 5 /6mm용 연결부품
DUJ 408 / DSN 08	
Material (材質)	Precision-cast zinc
Surface Processing (表面處理)	Nickel plated
Application (用途)	Assembly part for 6mm slot 6mm용 연결부품

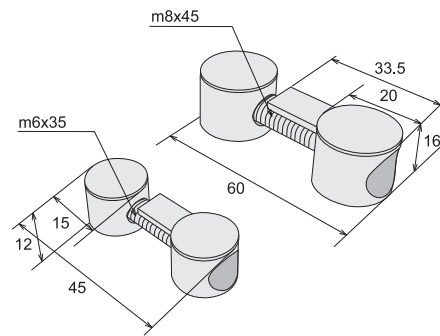


BUTT JOINT

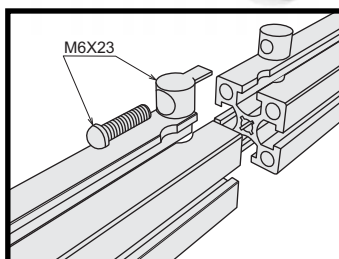
프로파일 연결부품

DBJ 408

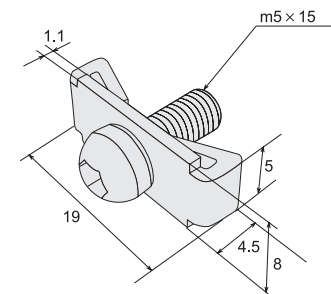
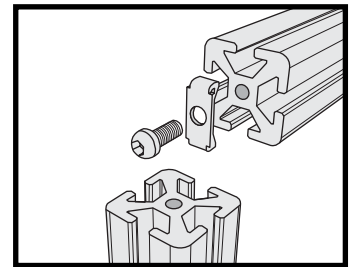
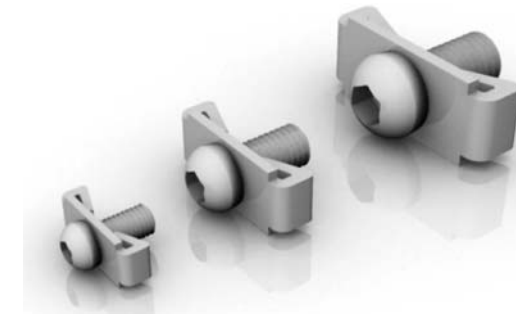
DBJ 306



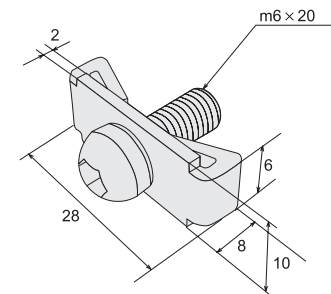
Technical Data (技術 Data)	
DBJ 306 / DBSN 06	
Material (材質)	Precision-cast zinc
Surface Processing (表面處理)	Nickel plated
Application (用途)	Assembly part for 6mm slot 6mm용 연결부품
DBJ 408 / DBSN 08	
Material (材質)	Precision-cast zinc
Surface Processing (表面處理)	Nickel plated
Application (用途)	Assembly part for 6mm slot 6mm용 연결부품



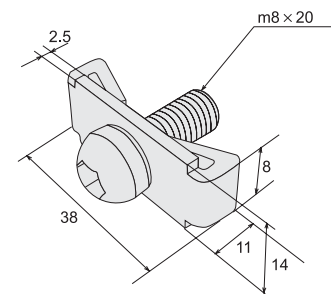
JOINT CLIP



Technical Data (技術 Data)	
DJC 5 / DBSL M5	
Material (材質)	S45C
Surface Processing (表面處理)	Nickel plated
Components (構成部品)	CLIP 1EA Wrench BOLT (M6x20) 1EA
Application (用途)	Assembly part for profile 6mm slot 60mm 프로파일 용 연결부품 6mm홈

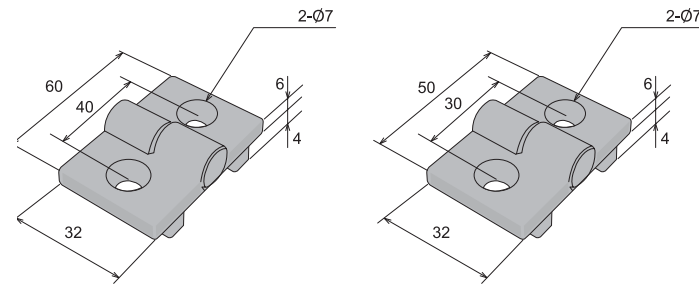
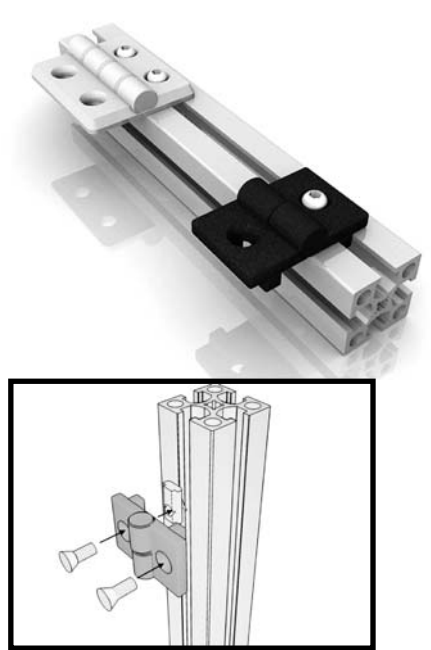


Technical Data (技術 Data)	
DJC 6 / DBSL M6	
Material (材質)	S45C
Surface Processing (表面處理)	Nickel plated
Components (構成部品)	CLIP 1EA Wrench BOLT (M6x20) 1EA
Application (用途)	Assembly part for profile 6mm slot 60mm 프로파일 용 연결부품 6mm홈



Technical Data (技術 Data)	
DJC 8 / DBSL M8	
Material (材質)	S45C
Surface Processing (表面處理)	Nickel plated
Components (構成部品)	CLIP 1EA Wrench BOLT (M8x20) 1EA
Application (用途)	Assembly part for profile 8mm slot 60mm 프로파일 용 연결부품 8mm홈

HINGE

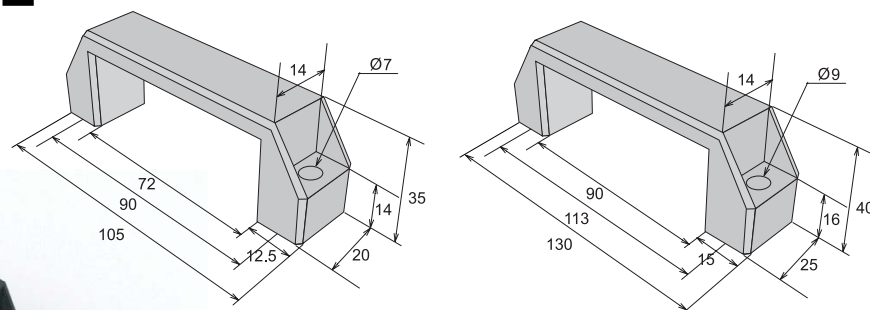
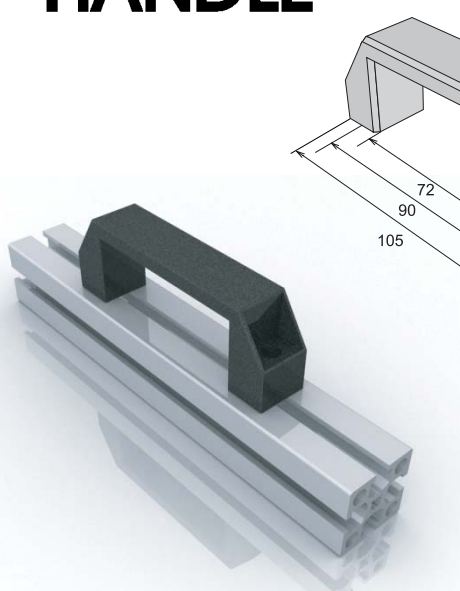


DH 306

DH 408

Technical Data (技術 Data)	
DH 306	
Material (材質)	Plastic / ALDC
Application (用途)	Hing for 6mm slot (6mm용 장착)
DH 408	
Material (材質)	Plastic / ALDC
Application (用途)	Hing for 8mm slot (8mm용 장착)

HANDLE

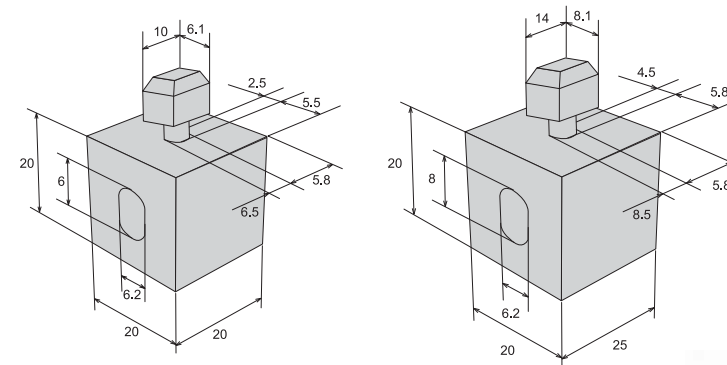


DPH 306

DPH 408

Technical Data (技術 Data)			
DPH 306		DPH 408	
Material (材質)	Plastic/ALDC	Material (材質)	Plastic/ALDC
Application (用途)	Door-handle for 6mm slot (6mm 홈 도어 핸들)	Application (用途)	Door-handle for 8mm slot (8mm 홈 도어 핸들)

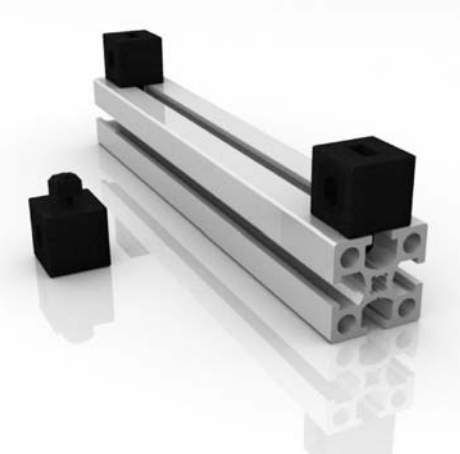
MULTI BLOCK



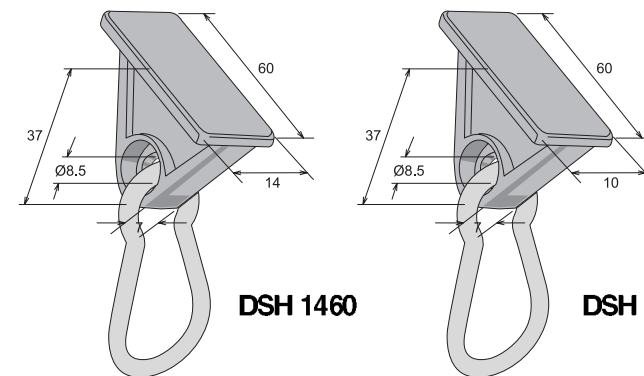
DMB 306

DMB 408

Technical Data (技術 Data)	
DMB 306	
Material (材質)	Plastic
Application (用途)	Assembly part for panel attachment 6mm slot (패널 부착용 연결부품 6mm)
DMB 408	
Material (材質)	Plastic
Application (用途)	Assembly part for panel attachment 8mm slot (패널 부착용 연결부품 8mm)



SLIDER HOOK



DSH 1460

DSH 1060

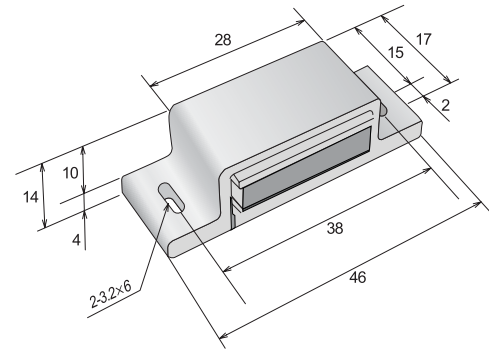
Technical Data (技術 Data)	
DSH 1460	
Material (材質)	PVC
Application (用途)	Hanger assembly part (bol, curtain etc) (행거용공구, 커튼 부품)
DSH 1060	
Material (材質)	PVC
Application (用途)	Hanger assembly part (bol, curtain etc) (행거용공구, 커튼 부품)



Profile
Angle
Duct
Profile Accessory
Conveyor Frame
Air Supply System
AL Tube
Technical Data
Pipe rack system

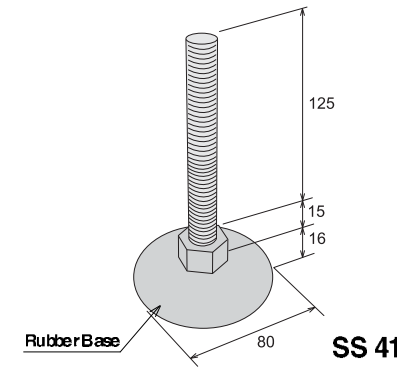
Profile
Angle
Duct
Profile Accessory
Conveyor Frame
Air Supply System
AL Tube
Technical Data
Pipe rack system

MAGNETIC LOOK



Technical Data (技術 Data)	
DML 17	
Material (材質)	Zinc plated steel
Color (色相)	Bright

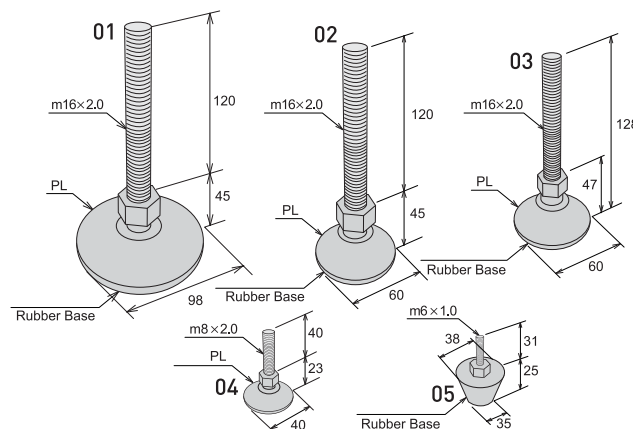
STEEL LEVELLING FOOT



Technical Data (技術 Data)	
LSF 80125	
Material (材質)	SS41
Application (用途)	Level adjustment foot (높이 조절용 지지대)

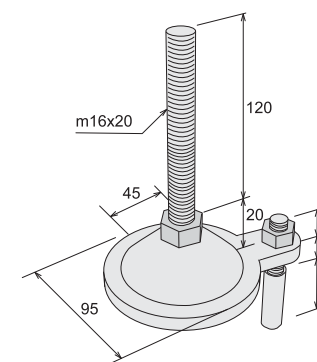


LEVELLING FOOT



NO.	Number for Product	Application
01	LF 16185	Application (用途) Level adjustment foot (높이조절을 지지대)
02	LF 16100	
03	LF 12109	
04	LF 838	
05	LF 630	

ANCHOR LEVELLING FOOT



Technical Data (技術 Data)	
LAF 95120	
Material (材質)	ALDC-8,
Application (用途)	Level adjustment foot (anchor type) (높이 조절용 지지대)



Profile

Angle

Duct

Profile Accessory

Conveyor Frame

Air Supply System

AL Tube

Technical Data

Pipe rack system

Profile

Angle

Duct

Profile Accessory

Conveyor Frame

Air Supply System

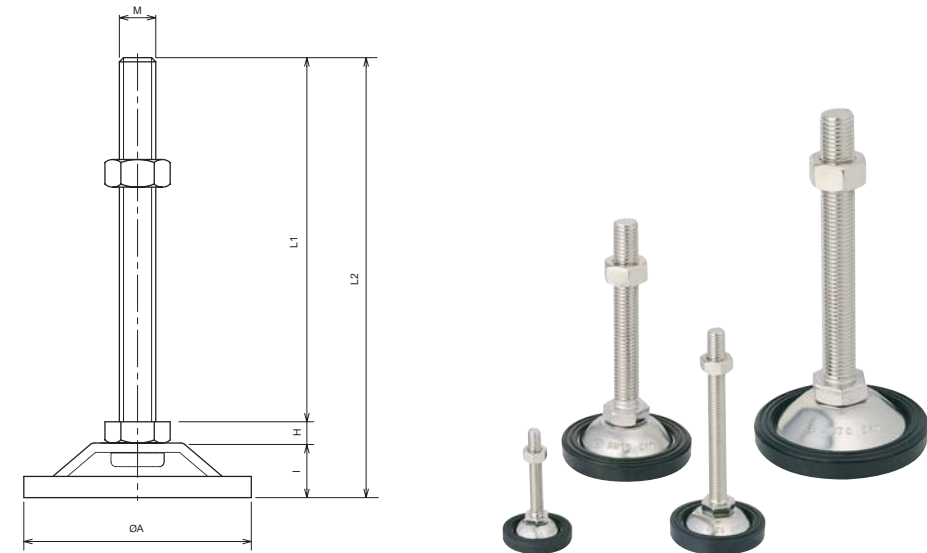
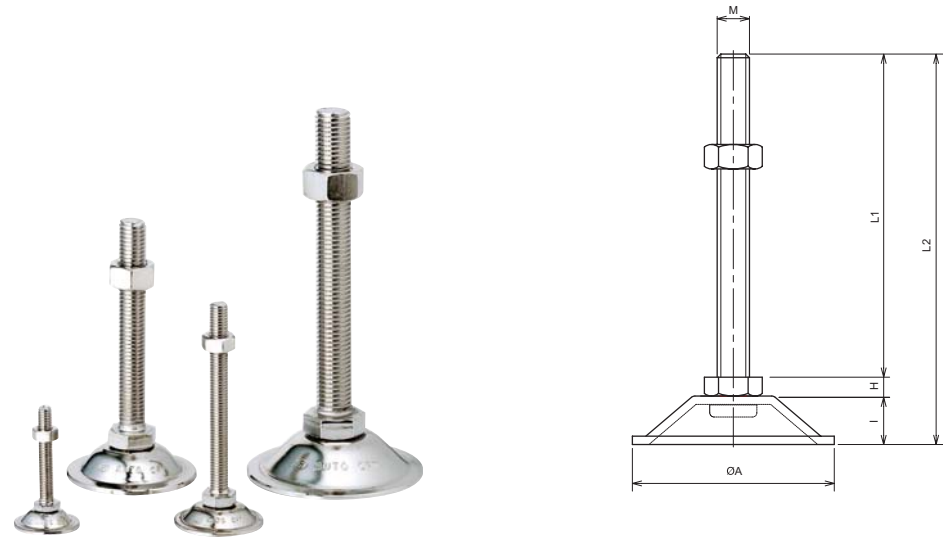
AL Tube

Technical Data

Pipe rack system

Standard Type
DY-P SERIES

미끄럼 방지 고무패드 부착형
Anti-Slip With Rubber Pad
DY-PR SERIES



MODEL	DIMENSIONS(mm)						MATERIALS		허용하중 (Kg/4EA)	표면처리
	L1	L2	H	I	A	M	BOLT & NUT	하부		
DY-P-6	40	52	5	7	Ø27	M6X1.0			100	
DY-PS-6					Ø37			SPC(2t)		
DY-P-8	40	55	6	9	Ø37	M8X1.25			200	
DY-PS-8	80	95						SUS304(2t)		
DY-P-10	60	81				M10X1.5			300	
DY-PS-10	100	121								
DY-P-12	60	81	8	13	Ø55	M12X1.75			500	
DY-PS-12	90	111								
	120	141								
	150	171								
	50	73								
		78								
	80	103								
		108								
	100	123								
		128								
DY-P-16	130	153	10	13	Ø55	M16X2.0			800	니켈도금 (Ni) 포리싱 (PL)
DY-PS-16		158		18	Ø75			SS400 SUS304		
	150	173								
		178								
	180	203								
		208								
	200	223								
		228								
DY-P-20	100	131	13	18	Ø75	M20X2.5			1000	
DY-PS-20	130	161								
	150	181								
	180	211								
	200	231								

MODEL	DIMENSIONS(mm)						MATERIALS		허용하중 (Kg/4EA)	표면처리
	L1	L2	H	I	A	M	BOLT & NUT	하부		
DY-PR-6	40	54	5	9	Ø30	M6X1.0				100
DY-PRS-6					Ø41				SPC(2t)	
DY-PR-8	40	58	6	12	Ø41	M8X1.25				200
DY-PRS-8	80	98							SUS304(2t)	
DY-PR-10	60	85				M10X1.5				300
DY-PRS-10	100	125								
DY-PR-12	60	85	8		Ø60	M12X1.75				500
DY-PRS-12	90	115								
	120	145								
	150	175								
	50	77								
		83								
	80	107								
		113								
	100	127								
		133								
DY-PR-16	130	157	10	17	Ø60	M16X2.0				800
DY-PRS-16		163		23	Ø80				SS400 SUS304	
	150	177								
		183								
	180	207								
		213								
	200	227								
		233								
DY-PR-20	100	136	13	23	Ø80	M20X2.5				1000
DY-PRS-20	130	166								
	150	186								
	180	216								
	200	236								

Profile

Angle

Duct

Profile
Accessory

Conveyor
Frame

Air Supply
System

AL Tube

Technical
Data

Pipe rack
system

Profile

Angle

Duct

Profile
Accessory

Conveyor
Frame

Air Supply
System

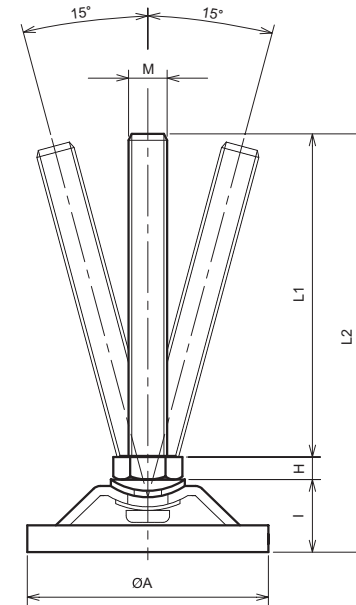
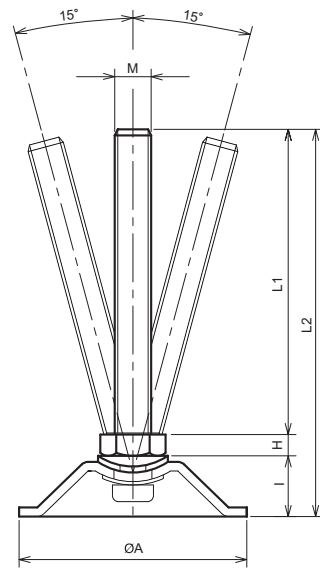
AL Tube

Technical
Data

Pipe rack
system

경량형
Light Duty Type
DY-PL SERIES

미끄럼 방지 고무패드 부착형
Anti-Slip With Rubber Pad
DY-PLR SERIES



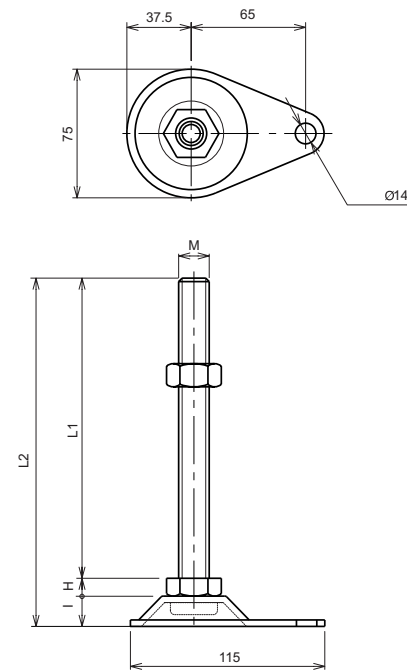
*용도 : 콘베어, 공작기계, 자동화설비 *기타 특수사양은 주문제작함

MODEL	DIMENSIONS(mm)						MATERIALS			허용하중 (Kg/4EA)	표면처리
	L1	L2	H	I	A	M	BOLT & NUT	하부			
DY-PL-12 DY-PLS-12	60	83	8	15	Ø55	M6X1.0			500		
	90	113									
	120	143									
	150	173									
DY-PL-16 DY-PLS-16	50	75	10	15	Ø55	M16X2.0	SS400 SUS304	SPC(3t) SUS304(3t)	800	니켈도금(Ni) 포리싱(PL)	
	80	80									
	80	105									
	100	110									
	100	125									
	100	130									
	130	155									
	130	160									
	150	175									
	150	180									
DY-PL-20 DY-PLS-20	100	133	13	20	Ø75	M20X2.5			1000		
	130	163									
	150	183									
	180	213									
	180	213									
	200	233									

MODEL	DIMENSIONS(mm)						MATERIALS			허용하중 (Kg/4EA)	표면처리
	L1	L2	H	I	A	M	BOLT & NUT	하부			
DY-PLR-12 DY-PLSR-12	60	83	8	19	Ø60	M12X1.75			500		
	90	117									
	120	147									
	150	177									
DY-PLR-16 DY-PLSR-16	50	79	10	19	Ø60	M16X2.0	SS400 SUS304	SPC(3t) SUS304(3t)	800	니켈도금(Ni) 포리싱(PL)	
	80	85									
	80	109									
	100	115									
	100	129									
	100	135									
	130	159									
	130	165									
	150	179									
	150	185									
DY-PLR-20 DY-PLSR-20	100	138	13	25	Ø80	M20X2.5			1000		
	130	168									
	150	188									
	180	218									
	180	218									
	200	238									

기계 본체 고정형
Anchor Type

DY-PA SERIES

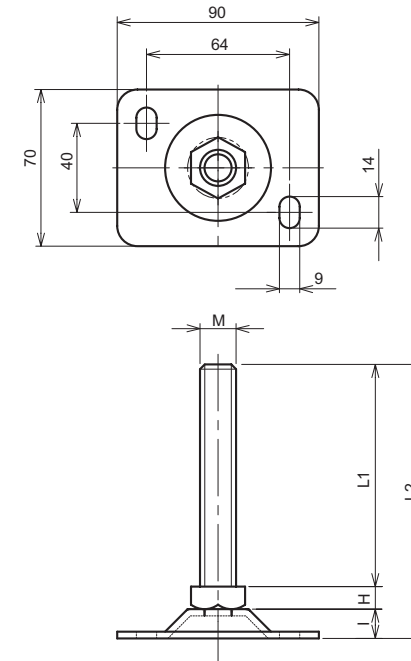


*용도 : 콘베어, 공작기계, 자동화설비 *기타 특수사양은 주문제 작함

MODEL	DIMENSIONS(mm)					MATERIALS		허용하중 (Kg/4EA)	표면처리
	L1	L2	H	I	M	BOLT & NUT	하부		
DY-PA-12	60	85	8	17	M12X1.75	SS400	SPC(3t)	500	니켈도금(Ni)
DY-PAS-12	90	115							
	120	145							
	150	175							
DY-PA-16	50	77	10	17	M16X2.0	SS400	SPC(3t)	800	니켈도금(Ni)
	80	107							
DY-PAS-16	100	127							
	130	157							
	150	177							
	180	207							
DY-PA-20	200	227	13	17	M20X2.5	SUS304	SUS304(3t)	1000	포리싱(PL)
DY-PAS-20	100	130							
	130	160							
	150	180							
	180	210							
	200	230							

기계 본체 고정형
Anchor Type

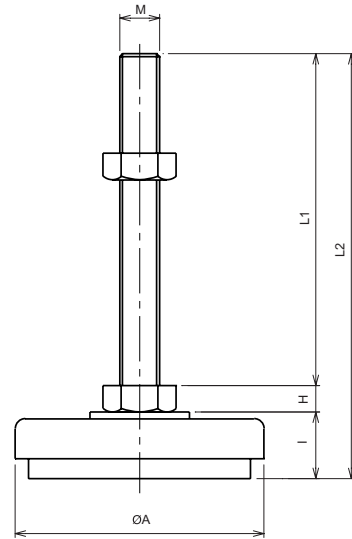
DY-PAF-SERIES



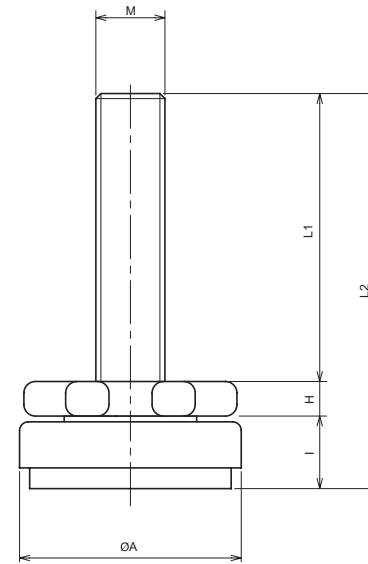
*용도 : 콘베어, 공작기계, 자동화설비 *기타 특수사양은 주문제 작함

MODEL	DIMENSIONS(mm)					MATERIALS		허용하중 (Kg/4EA)	표면처리
	L1	L2	H	I	M	BOLT & NUT	하부		
DY-PAF-12	60	81	8	13	M12X1.75	SS400	SPC(3t)	500	니켈도금(Ni)
DY-PAFS-12	90	111							
	120	141							
	150	171							
DY-PAF-16	50	73	10	13	M16X2.0	SS400	SPC(3t)	800	니켈도금(Ni)
	80	103							
DY-PAFS-16	100	123							
	130	153							
	150	173							
	180	203							
DY-PAF-20	200	223	13	13	M20X2.5	SUS304	SUS304(3t)	1000	포리싱(PL)
DY-PAFS-20	100	126							
	130	156							
	150	176							
	180	206							
	200	226							

경반 진용
Cushioning Type
**DY-V, DY-VP
DY-VU SERIES**



경반 진용
Cushioning Type
**DY-VF
DY-VFU SERIES**



※ 용도 : 콘베어, 공작기계, 자동화설비 ※ 기타 특수사양은 주문제작함

MODEL	DIMENSIONS(mm)						MATERIALS			허용하중 (Kg/4EA)	표면처리
	L1	L2	H	I	A	M	BOLT & NUT	하부			
DY-V-6 DY-VS-6 DY-VU-6	40	55.5	4	11.5	∅28 ∅38	M6X1.0			100		
DY-V-8 DY-VS-8 DY-VU-8	40	57.5		5		M8X1.25			200		
DY-V-10 DY-VS-10 DY-VU-10	60	81		7	∅38	M10X1.5			300		
DY-V-12 DY-VS-12 DY-VP-12 DY-VU-12	60	86		8	∅50	M12X1.7		5	500		
	50	78					SS400 SUS304	SPC(2t) SUS304(2t)	N.B.R PVC Polyurethane	니켈도금(Ni) 포리싱(PL)	
DY-V-16 DY-VS-16 DY-VP-16 DY-VU-16	100	128	10	18	∅50 ∅60	M16X2.0			800		
	180	208									
	200	228									
DY-V-20 DY-VS-20 DY-VP-20 DY-VU-20	100	131		13	∅60	M20X2.5			1000		
	130	161									
	150	181									
	180	211									
	200	231									

※ D-VP SERIES는 하부패드가 PVC연질사출이며 저가형제품입니다.

※ D-VU SERIES는 하부패드가 Polyurethane입니다.

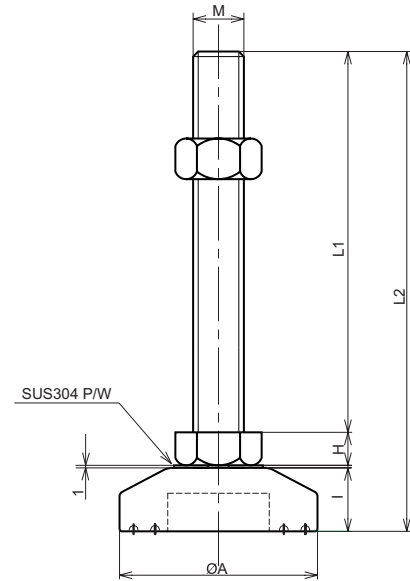
※ 용도 : 콘베어, 공작기계, 자동화설비

※ 기타특수사양은 주문제작함

※ 용도 : 사무자동화기기, 자판기, 통신기기 ※ 기타 특수사양은 주문제작함

MODEL	DIMENSIONS(mm)						MATERIALS			허용하중 (Kg/4EA)	표면처리
	L1	L2	H	I	A	M	BOLT	CUP	하부패드		
DY-VF-10 DY-VFU-10	28	46.5	6	12.5	∅37	M10X1.5	SM45C	SPC(1.6t)	N.B.R Polyurethane	400	아연도금&질산은 (No2&Zn)
DY-VF-12 DY-VFU-12	35	53.5				M12X1.75				600	Galvanized
	50	68.5									

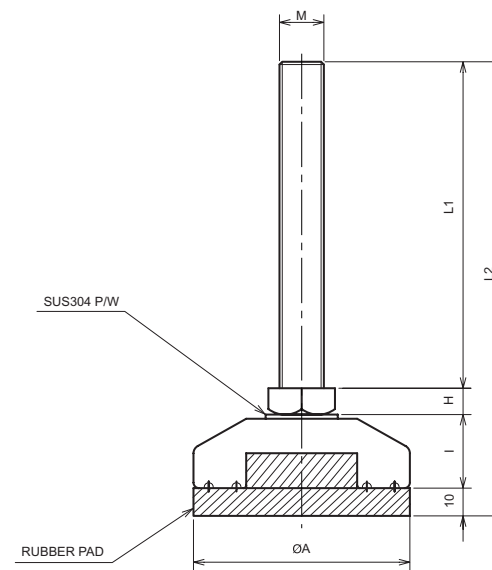
중량형
Heavy Duty Purpose
DY-M SERIES



*용도 : 공작기계, 자동화설비, 전용기계 * 기타 특수사양은 주문제 적합

MODEL	DIMENSIONS(mm)					MATERIALS			허용하중 (Kg/4EA)	표면처리		
	L1	L2	H	I	A	M	BOLT & NUT	하부				
DY-M-16	50	86							2000			
	80	116										
	100	136										
	130	166	10			M16X2.0						
	150	186										
DY-M-20	180	216							3000	니켈도금(Ni)		
	200	236	25+1	Ø78								
	100	139									3000	니켈도금(Ni)
	130	169				M20X2.5	SS400	SM45C				
	150	189	13									
180	219											
200	239											
DY-M-24	150	197				M24X3.0			4000			
	200	247	16									
	150	201									5000	
	200	251	20	30+1	Ø98	M30X3.5						
	150	205										
200	255	24		Ø150	M42X4.5							
250	305											
DY-M S-16	50	86							2000			
	80	116										
	100	136										
	130	166	10			M16X2.0						
	150	186										
DY-M S-20	180	216							3000			
	200	236	25+1	Ø78								
	100	139									3000	
	130	169				M20X2.5	SUS304	SUS303				
	150	189	16									
180	219											
200	239											
DY-M S-24	150	197				M24X3.0			4000			
	200	247	16									
	150	201									5000	
	200	251	20	30+1	Ø98	M30X3.5						
	150	205										
200	255	24		Ø150	M42X4.5							
200	305											

중량형, 방진용
Heavy Duty Cushioning Type
DY-MR SERIES



MODEL	DIMENSIONS(mm)					MATERIALS			허용하중 (Kg/4EA)	표면처리		
	L1	L2	H	I	A	M	BOLT & NUT	하부			하부패드	
DY-MR-16	50	96							2000			
	80	126										
	100	146										
	130	176	10			M16X2.0						
	150	196										
DY-MR-20	180	226							3000	니켈도금(Ni) 포리싱(PL)		
	200	246	25+1	Ø78								
	100	149									3000	니켈도금(Ni) 포리싱(PL)
	130	179				M20X2.5	SS400	SM45C				
	150	199	13									
180	229											
200	249											
DY-MR-24	150	207				M24X3.0			4000			
	200	257	16		Ø78							
	150	211									5000	
	200	261	20	30+1	Ø98	M30X3.5						
	150	205										
200	255	24		Ø150	M42X4.5							
250	305											
DY-M SR-16	50	96							2000			
	80	126										
	100	146										
	130	176	10		Ø78	M16X2.0						
	150	196										
DY-M SR-20	180	226							3000			
	200	246	25+1									
	100	149									3000	
	130	179				M20X2.5	SUS304	SUS303				
	150	199	13		Ø78							
180	229											
200	249											
DY-M SR-24	150	207				M24X3.0			4000			
	200	257	16		Ø78							
	150	211									5000	
	200	261	20	30+1	Ø98	M30X3.5						
	150	205										
200	255	24		Ø150	M42X4.5							
200	305											

Profile

Angle

Duct

Profile Accessory

Conveyor Frame

Air Supply System

AL Tube

Technical Data

Pipe rack system

Profile

Angle

Duct

Profile Accessory

Conveyor Frame

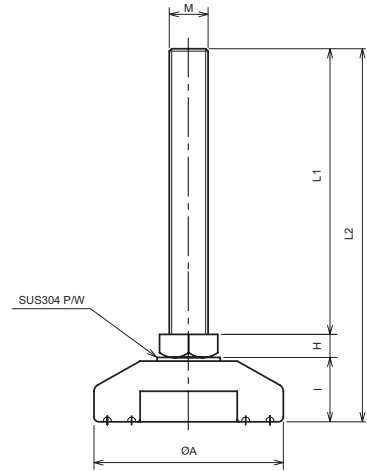
Air Supply System

AL Tube

Technical Data

Pipe rack system

중량형
Heavy Duty Purpose
DY-MZ SERIES

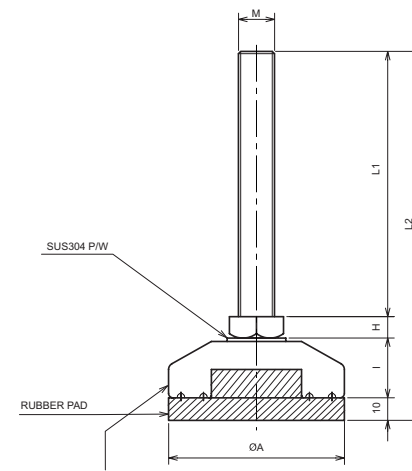


재질:아연가공후 니켈도금 제품이므로 부식이 방지되고 스테인레스와 용도가 동일하며 가격도 저렴함.

Materials Because it has been nickel-coated after zine processing, it prevents erosion. its use is same as that of stainless products and prices are reasonable.

MODEL	DIMENSIONS(mm)					MATERIALS		허용하중 (Kg/4EA)	표면처리
	L1	L2	H	I	A	M	BOLT & NUT		
DY-MZ-12	60	89	8		ø60	M12X1.75			1000
	90	119							
	120	149							
	150	179							
	180	209							
DY-MZ-16	50	81	10	20+1 25+1	ø50 ø60 ø78	M16X2.0	SS400	Zn	2000
	80	116							
	100	151							
	130	186							
	150	221							
DY-MZ-20	100	139	13		ø60 ø78	M20X2.5			3000
	130	169							
	150	189							
	180	219							
	200	239							
DY-MZS-12	60	89	8		ø50 ø60	M12X1.75			1000
	90	119							
	120	149							
	150	179							
	180	209							
DY-MZS-16	50	81	10	20+1 25+1	ø50 ø60 ø78	M16X2.0	SUS304	Zn	2000
	80	116							
	100	151							
	130	186							
	150	221							
DY-MZS-20	100	139	13		ø60 ø78	M20X2.5			3000
	130	169							
	150	189							
	180	219							
	200	239							

중량형, 방진용
Heavy Duty Cushioning Type
DY-MZR SERIES



재질:아연가공후 니켈도금 제품이므로 부식이 방지되고 스테인레스와 용도가 동일하며 가격도 저렴함.

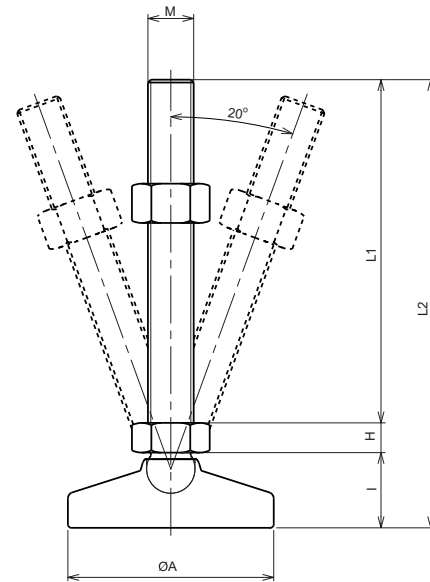
Materials Because it has been nickel-coated after zine processing, it prevents erosion. its use is same as that of stainless products and prices are reasonable.

※용도 : 콘베어, 공작기계, 자동화설비 ※기타 특수사양은 주문제작함

MODEL	DIMENSIONS(mm)					MATERIALS			허용하중 (Kg/4EA)	표면처리
	L1	L2	H	I	A	M	BOLT & NUT	하부		
DY-MZR-12	60	104	8		ø60	M12X1.75				1000
	90	134								
	120	164								
	150	194								
	180	224								
DY-MZR-16	50	96	10	25+1	ø60 ø78	M16X2.0	SS400	Zn		2000
	80	126								
	100	156								
	130	186								
	150	216								
DY-MZR-20	100	139	13		ø60 ø78	M20X2.5				3000
	130	169								
	150	189								
	180	219								
	200	239								
DY-MZSR-12	60	104	8		ø60	M12X1.75			NBR	1000
	90	134								
	120	164								
	150	194								
	180	224								
DY-MZSR-16	50	96	10	25+1	ø60 ø78	M16X2.0	SUS304	Zn		2000
	80	126								
	100	156								
	130	186								
	150	216								
DY-MZSR-20	100	139	13		ø60 ø78	M20X2.5				3000
	130	169								
	150	189								
	180	219								
	200	239								

중량형
Heavy Duty Purpose

DY-MA SERIES

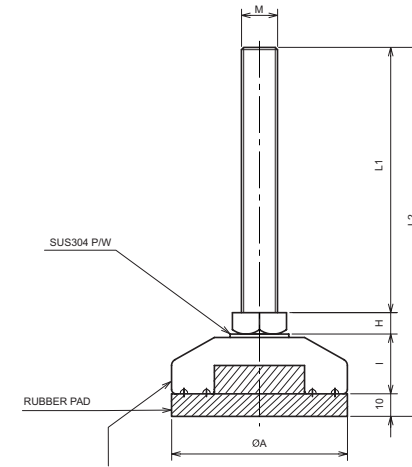


*용도 : 콘베어, 공작기계, 자동화설비 *SUS재 질은 주문제작합니다. (Stainless by order)

MODEL	DIMENSIONS(mm)					MATERIALS		허용하중 (Kg/4EA)	표면처리
	L1	L2	H	I	A	M	BOLT & NUT		
DY-MA-12	60 90	102 132	8		Ø58	M12X1.75		1000	
DY-MA-16	100 130	144 174	10		Ø58 Ø78	M16X2.0		2000	
DY-MA-20	100 150 200	147 197 247	13	34	Ø78	M20X2.5		3000	
DY-MA-24	150 200	200 250				M24X3.0	SS400	SM45C	니켈도금(Ni)
DY-MA-30	150 200	200 250	16		Ø98	M30X3.5		5000	
DY-MA-42	150 200 250	225 275 325	30	45	Ø150	M42X4.5		6000	
DY-MA-12	60 90	102 132	8		Ø58	M12X1.75		1000	
DY-MA-16	100 130	144 174	10		Ø58 Ø78	M16X2.0		2000	
DY-MA-20	100 150 200	147 197 247	13	34	Ø78	M20X2.5		3000	
DY-MA-24	150 200	200 250				M24X3.0	SUS303	SUS303	
DY-MA-30	150 200	200 250	16		Ø98	M30X3.5		5000	
DY-MA-42	150 200 250	225 275 325	30	45	Ø150	M42X4.5		6000	

중량형, 방진용
Heavy Duty Cushioning Type

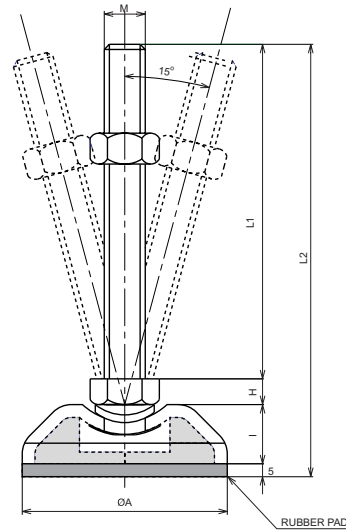
DY-MAVP SERIES



MODEL	DIMENSIONS(mm)					MATERIALS			허용하중 (Kg/4EA)	표면처리	
	L1	L2	H	I	A	M	BOLT & NUT	하부			하부패트
DY-MAVP-16	100 130	154 184	10			M16X2.0				1500	
DY-MAVP-20	100 150 200	157 207 257	13	34	Ø90	M20X2.5	SS400	SM45C	NBR 클크	2000	니켈도금(Ni)
DY-MA-VP-16	100 130	154 184	10			M16X2.0				1500	
DY-MA-VP-20	100 150 200	157 207 257	13	34	Ø90	M20X2.5	SS303	SUS303	NBR 클크	2000	

중량형
Heavy Duty Purpose

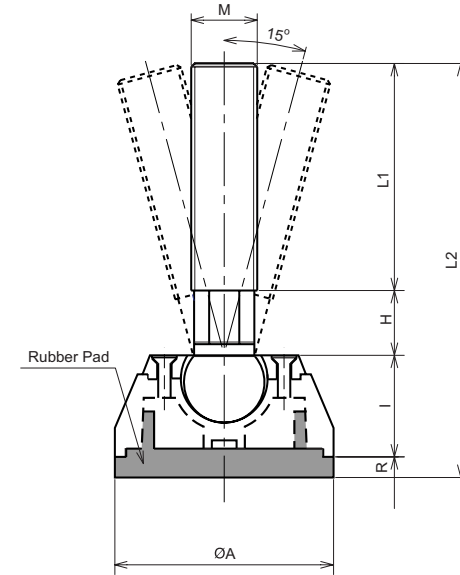
DY-PH SERIES



MODEL	DIMENSIONS(mm)						MATERIALS			허용하중 (Kg/4EA)	표면처리
	L1	L2	H	I	A	M	BOLT & NUT	하부	하부패드		
DY-PH-12	60	91	8			M12X1.75				600	
DY-PHS-12	90	121									
	120	151									
	150	181									
	50	83	10			M16X2.0				1000	분체도장 (Black) 포리싱(PL)
DY-PH-16	80	113									
DY-PHS-16	100	133									
	130	163									
	150	183									
	180	213									
	200	233									
	100	136	13			M20X2.5				1500	
DY-PH-20	130	166									
DY-PHS-20	150	186									
	180	216									
	200	236									
	60	96	23	Ø80		M12X1.75	SS400 SUS304	SPC(4t) SUS304(4t)		600	
DY-PHR-12	90	126									
DY-PHSR-12	120	156									
	150	186									
	50	88	10			M16X2.0				1000	분체도장 (Black) 포리싱(PL)
DY-PHR-16	80	118									
DY-PHSR-16	100	138									
	130	168									
	150	188									
	180	218									
	200	238									
	100	141	13			M20X2.5				1500	
DY-PHR-20	130	171									
DY-PHSR-20	150	191									
	180	221									
	200	241									

경방진용
Cushioning Type

DY-MAR SERIES

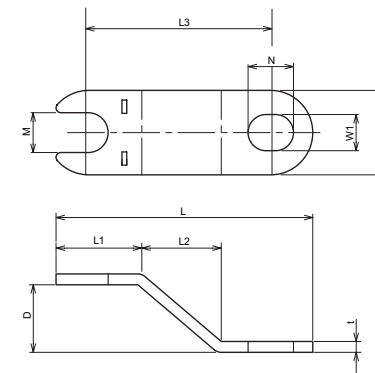


MODEL	DIMENSIONS(mm)						MATERIALS			허용하중 (Kg/4EA)	표면처리	
	L1	L2	H	I	A	R	M	BOLT & NUT	하부			하부패드
DY-MAR-12	60	95	13	19	Ø40	3	M12X1.75	SS400	Zn	NBR	600	분체도장(Black)
DY-MAR-16	55	101	16	25	Ø54	5	M16X2.0				1000	크롬도금 & 분체도장(Black)
	100	146										

중량형
Heavy Duty Purpose

ANCHOR BRACKET

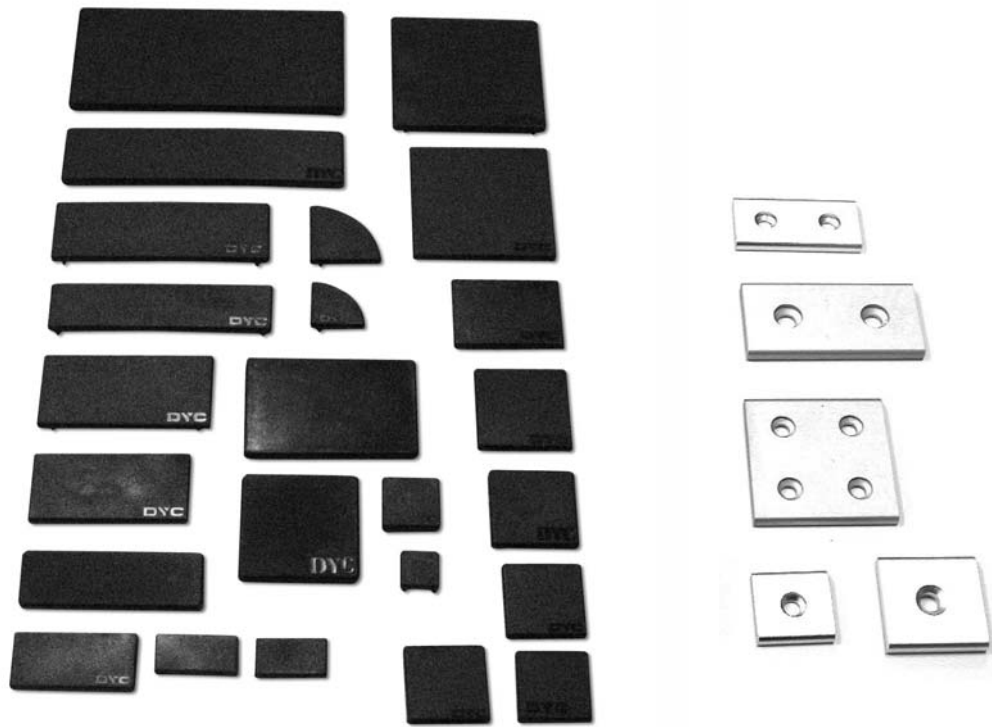
앙카 브라켓



*용도 : 콘베어, 자동화라인

MODEL	DIMENSIONS(mm)											MATERIALS		표면처리		
	L	L1	L2	L3	D	t	W	W1	M	W2	M1	N	t1		ANCHOR BRACKET	ANCHOR
DY-AB M12	108	37	38	84	21	3	25	10.5	12.5	25	12.5	12.5	1.6t	SPC 3t	PLATE	니켈도금
DY-AB M16	108	38.6	37.5	80	28	3	37	14	16.5	37	16.5	16	1.6t	SPC 3t	SPC 1.6t	니켈도금
DY-AB M20	108	40.2	36	77	31	3	37	14	20.5	37	20.5	16	1.6t	SPC 3t	SPC 1.6t	니켈도금
DY-AB M12	108	37	38	84	21	3	25	10.5	12.5	25	12.5	12.5	1.6t	SUS-304 3t	SPC 1.6t	포리싱
DY-AB M16	108	38.6	37.5	80	28	3	37	14	16.5	37	16.5	16	1.6t	SUS-304 3t	SUS-304 1.6t	포리싱
DY-AB M20	108	40.2	36	77	31	3	37	14	20.5	37	20.5	16	1.6t	SUS-304 3t	SUS-304 1.6t	포리싱

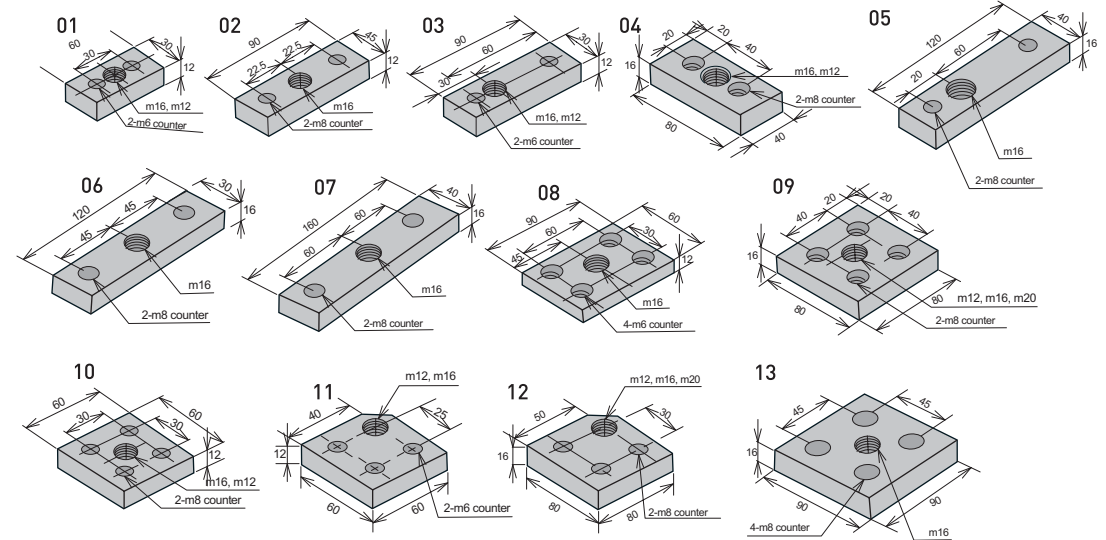
END CAP



NO.	Number for Product	Application	Material
01	DEC 1530	Assemble part for 15mm profile frame(연결부품)	PVC/AL
02	DEC 2020	Assemble part for 20mm profile frame(연결부품)	PVC/AL
03	DEC 3030	Assemble part for 30mm profile frame(연결부품)	PVC/AL
04	DIC 4040	Assemble part for 40mm profile frame(연결부품)	PVC/AL
05	DEC 4040	Assemble part for 40mm profile frame(연결부품)	PVC/AL
06	DEC 4545	Assemble part for 45mm profile frame(연결부품)	PVC/AL
07	DEC 4560	Assemble part for 45x60mm profile frame(연결부품)	PVC/AL
08	DEC 6060	Assemble part for 60mm profile frame(연결부품)	PVC/AL
09	DEC 6090	Assemble part for 60x90mm profile frame(연결부품)	PVC/AL
10	DEC 8080	Assemble part for 80mm profile frame(연결부품)	PVC/AL
11	DEC 9090	Assemble part for 90mm profile frame(연결부품)	PVC/AL
12	DEC 2040	Assemble part for 20x40mm profile frame(연결부품)	PVC/AL
13	DEC 3060	Assemble part for 30x60mm profile frame(연결부품)	PVC/AL
14	DEC 4080	Assemble part for 40x80mm profile frame(연결부품)	PVC/AL
15	DEC 3090	Assemble part for 30x90mm profile frame(연결부품)	PVC/AL
16	DEC 30120	Assemble part for 30x120mm profile frame(연결부품)	PVC/AL
17	DEC 4590	Assemble part for 45x90mm profile frame(연결부품)	PVC/AL
18	DEC 40160	Assemble part for 40x160mm profile frame(연결부품)	PVC/AL
19	DEC 2035	Assemble part for DY1476 profile frame(연결부품)	PVC/AL
20	DEC 80120	Assemble part for 80x120mm profile frame(연결부품)	PVC/AL
21	DRFEC 4040	Assemble part for DRF4040 profile frame(연결부품)	PVC/AL
22	DEC 80160	Assemble part for 80x160mm profile frame(연결부품)	PVC/AL
23	DRFEC 3030	Assemble part for DRF3030 profile frame(연결부품)	PVC/AL

※AL ENDCAP은 주문사양

LEVELLING FOOT BASE

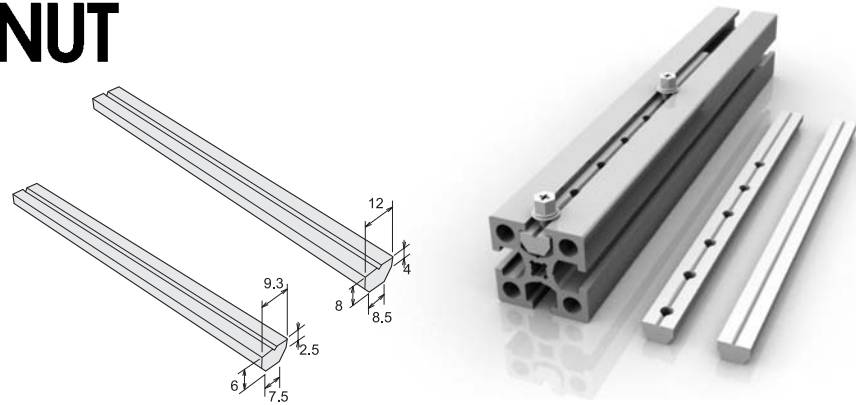


NO.	Number for Product	Application	Material
01	DFB 3060 / DAFB 3060	DF 3060용	STEEL(Black)/ALDC / M12.16
02	DFB 4590	DF 4590용	STEEL(Black)/ALDC
03	DFB 3090	DF 3090용	STEEL(Black)/ALDC
04	DFB 4080 / DAFB 4080	DF 4080, DNF 4080용	STEEL(Black)/ALDC / M12.16.20
05	DFB 40120	DF 40120용	STEEL(Black)/ALDC
06	DFB 30120	DF 30120용	STEEL(Black)/ALDC
07	DFB 40160	DF 40160용	STEEL(Black)/ALDC
08	DFB 6090	DF 6090용	STEEL(Black)/ALDC
09	DFB 8080 / DAFB 8080	DF 8080, DNF 8080용	STEEL(Black)/ALDC / M12.16.20
10	DFB 6060 / DAFB 6060	DF 6060용	STEEL(Black)/ALDC / M12.16
11	DFB 6060C / DAFB 6060c	DF 3030용	STEEL(Black)/ALDC / M12.16
12	DFB 8080C / DAFB 8080c	DF 4040, DNF 4040용	STEEL(Black)/ALDC / M12.16.20
13	DFB 9090	DF 9090용	STEEL(Black)/ALDC

Profile
Angle
Duct
Profile Accessory
Conveyor Frame
Air Supply System
AL Tube
Technical Data
Pipe rack system

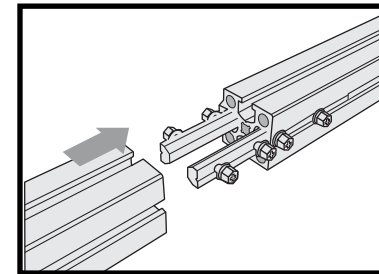
Profile
Angle
Duct
Profile Accessory
Conveyor Frame
Air Supply System
AL Tube
Technical Data
Pipe rack system

ROUND NUT PROFILE

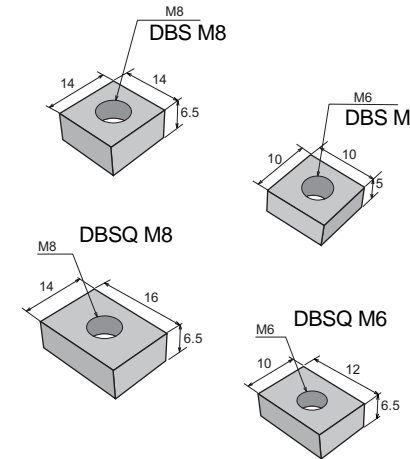


Technical Data (技術 Data)

DRN 06	
Material (材質)	A6N01S-T5
Surface Processing (表面處理)	HARD-Anodized
Application (用途)	Nut profile(6mm) (Nut 용 Profile 6mm)
DRN 08	
Material (材質)	A6N01S-T5
Surface Processing (表面處理)	HARD-Anodized
Application (用途)	Nut profile(8mm) (Nut 용 Profile 6mm)



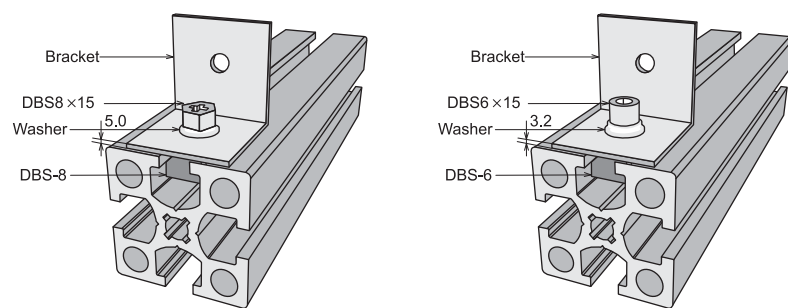
사각 너트 QUADRANGLE NUT



DBS M5	
Application (用途)	5mm assembly part (판넬 부착용 연결부품 5mm)
DBS M6 / DBSQ M6	M6 / M5
Application (用途)	6mm assembly part (판넬 부착용 연결부품 6mm)
DBS M8 / DBSQ M8	M8 / M6 / M5
Application (用途)	8mm assembly part (판넬 부착용 연결부품 8mm)

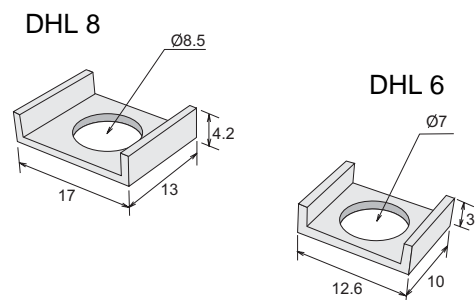


BOLT, NUT SERIES



Technical Data (技術 Data)

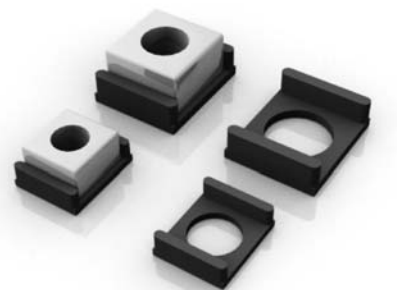
DBL M6, M8	
Material (材質)	SCM-435
Application (用途)	Since washer and spring washer are lined up in bolt, assembly will be easily done (외서, 스프링 외서 일체형)
DBS M6, M8	
Material (材質)	SM-20C
Application (用途)	Since washer and spring washer are lined up in bolt, assembly will be easily done (외서, 스프링 외서 일체형)



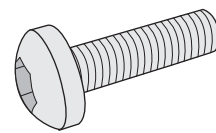
Technical Data (技術 Data)	
DHL 6	
Application (用途)	assembly part (6mm 조립부품)
DHL 8	
Application (用途)	assembly part (8mm 조립부품)

NUT HOLDER

너트 미끄럼 방지용



BOLT



Technical Data (技術 Data)

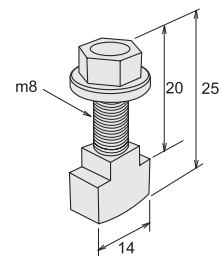
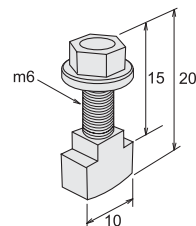
Material (材質)	SCM-440
Surface Processing (表面處理)	Nickel plated
Solt (種類)	M5 / M6 / M8
Size (規格)	M5X8L, M6X15L, M6X20L M6X23L, M6X35L, M8X20L M8X30L
Application (用途)	assembly part (조립부품)

"T" BOLT / NUT

일체형 볼트 / 너트



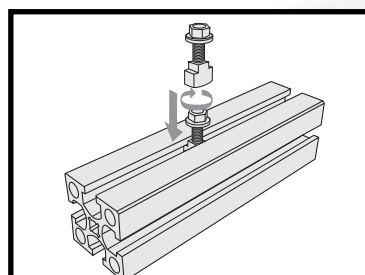
DBST BOLT / NUT6



DBST BOLT / NUT8

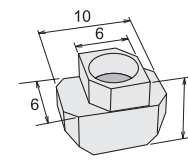
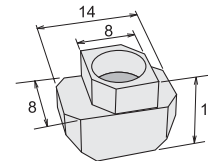
Technical Data (技術 Data)

Material (材質)	SM20C
Surface Processing (表面處理)	Nickel plated
Application (用途)	assembly part (조립부품)

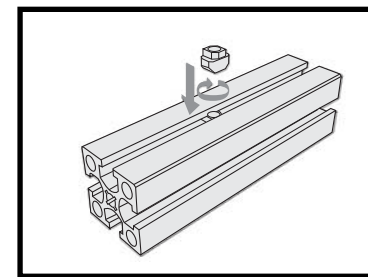


T NUT

DTN 06

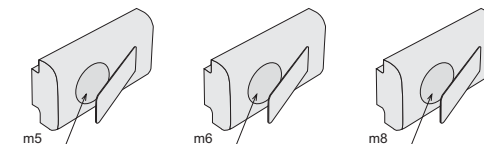


DTN 05



Technical Data (技術 Data)

DTN 06	Application (用途)	assembly part (조립부품)
DTN 05	Application (用途)	assembly part (조립부품)



Technical Data (技術 Data)

DSN 05	Material (材質)	SH20C
	Surface Processing (表面處理)	Nickel plated
	Size (規格)	TAP M4 / M5
	Application (用途)	assembly part (조립부품)
DSN 06	Material (材質)	SH20C
	Surface Processing (表面處理)	Nickel plated
	Size (規格)	TAP M4 / M5 / M6
	Application (用途)	assembly part (조립부품)
DSN 08	Material (材質)	SH20C
	Surface Processing (表面處理)	Nickel plated
	Size (規格)	TAP M4 / M5 / M6 / M8
	Application (用途)	assembly part (조립부품)

SPRING NUT SPONGE NUT



Profile

Angle

Duct

Profile Accessory

Conveyor Frame

Air Supply System

AL Tube

Technical Data

Pipe rack system

Profile

Angle

Duct

Profile Accessory

Conveyor Frame

Air Supply System

AL Tube

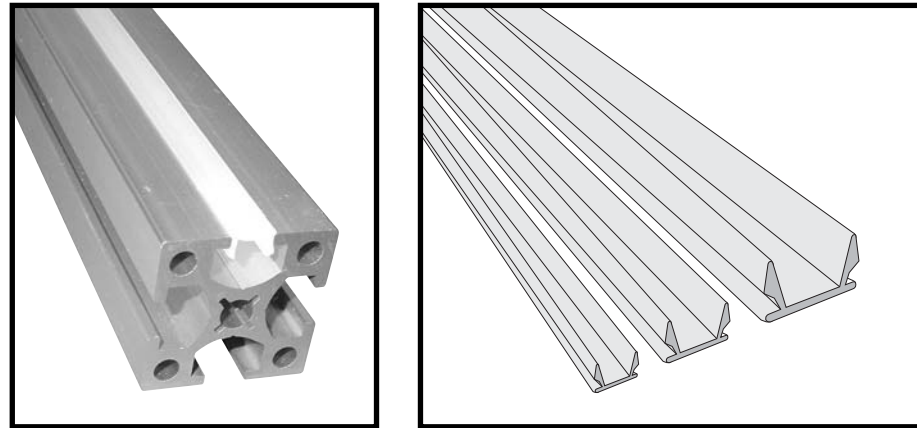
Technical Data

Pipe rack system

T 홈 마감제

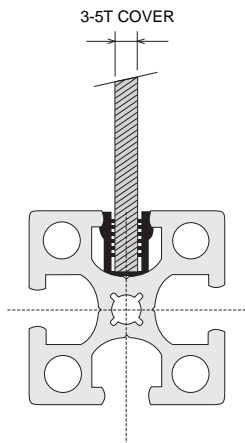
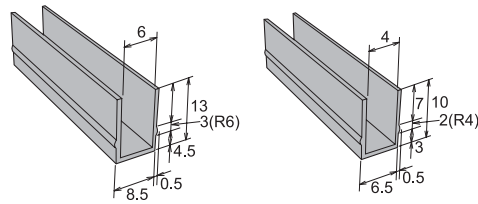
FACE STRIP

FREE FROW C/V FRAME ROLLER ELEMENTS



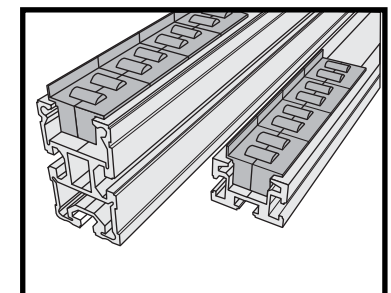
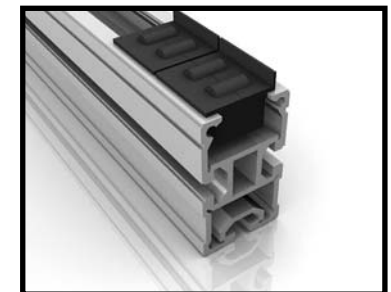
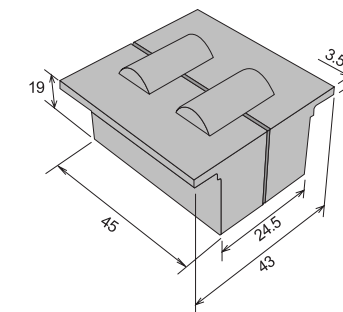
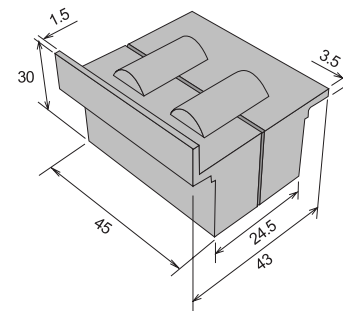
DS 0814

DS 0610



Technical Data (技術 Data)

DS 0610, DS 0814	
Material (材質)	PVC / P.E
Color (色相)	Black, White
Application (用途)	assembly part for dust prevention, rail (이물질 유입 방지 및 레일용)



Technical Data (技術 Data)

DRE 3043	
Color (色相)	Black
DRE 2043	
Color (色相)	Black

Profile

Angle

Duct

Profile Accessory

Conveyor Frame

Air Supply System

AL Tube

Technical Data

Pipe rack system

Profile

Angle

Duct

Profile Accessory

Conveyor Frame

Air Supply System

AL Tube

Technical Data

Pipe rack system

경 하중용
LIGHT DUTY PURPOSE
DY-50
F-TYPE / S-TYPE

- 해당 허용 하중 (Load/Unit) : 50kg/EA
- 추천 허용 하중 (Recommended) : 100kg/4EA
- 자중 (Net Weight) : F-TYPE 0.38kg , S-TYPE 0.38kg

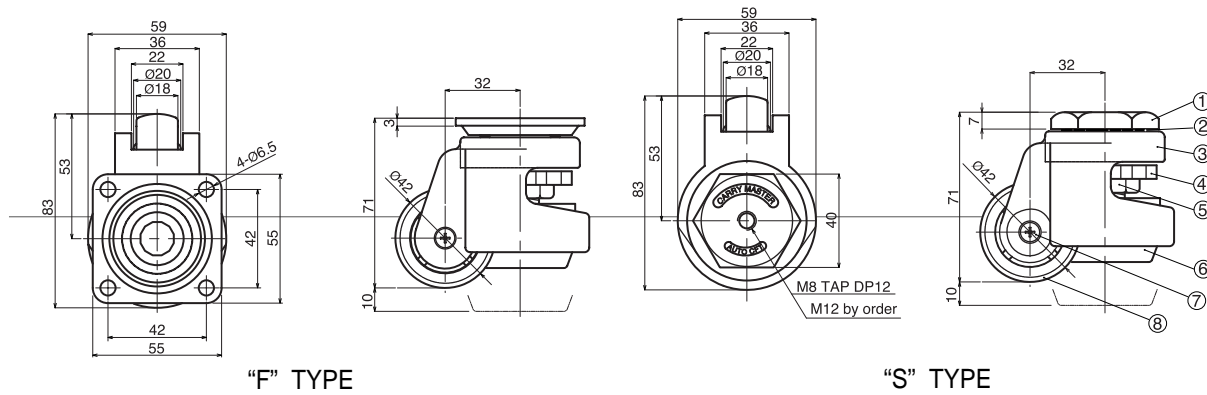


DY-50F

DY-50FU

DY-50SU

DY-50SM



"F" TYPE

"S" TYPE

NO.	PARTS	MATERIALS	TREATMENTS
01	Top plate	SPC SM45C	아연도금 Zn Galvanized(3+)
02	Ball	STB2	니켈 크롬도금 Ni-Cr
03	Frame	ADC8	상아색, Ivory Powder Coated
04	Handle	NYLON-6	적색, Red
05	Leveller(M-12)	SM45C	아연도금 Zn Galvanized(3+)
06	Foot	N.B.R(Urethane by order)	검정색 Black
07	Pin	SM45C	아연도금 Zn Galvanized(3+)
08	Wheel	NYLON-6 (Urethane by order) (MC-Nylon by order)	검정색 Black

경 하중용
LIGHT DUTY PURPOSE
DY-300
F-TYPE / S-TYPE

- 해당 허용 하중 (Load/Unit) : 250kg/EA
- 추천 허용 하중 (Recommended) : 500kg/4EA
- 자중 (Net Weight) : F-TYPE 0.76kg , S-TYPE 0.62kg

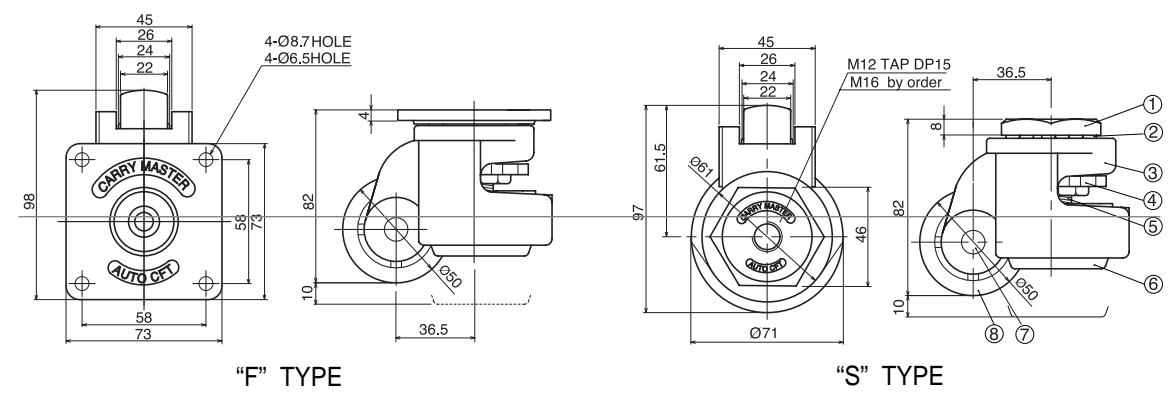


DY-300F

DY-300FU

DY-50SU

DY-50SM



"F" TYPE

"S" TYPE

NO.	PARTS	MATERIALS	TREATMENTS
01	Top plate	SPC SM45C	아연도금 Zn Galvanized(3+)
02	Ball	STB2	니켈 크롬도금 Ni-Cr
03	Frame	ADC8	상아색, Ivory Powder Coated
04	Handle	NYLON-6	적색, Red
05	Leveller(M-12)	SM45C	아연도금 Zn Galvanized(3+)
06	Foot	N.B.R(Urethane by order)	검정색 Black
07	Pin	SM45C	아연도금 Zn Galvanized(3+)
08	Wheel	NYLON-6(Urethane by order) (MC-Nylon by order)	검정색 Black

중하중용
MEDIUM DUTY PURPOSE
DY-600
F-TYPE / S-TYPE

- 해당 허용 하중 (Load/Unit) : 500kg/EA
- 추천 허용 하중 (Recommended) : 1,000kg/4EA
- 자중 (Net Weight) : F-TYPE 1.38kg, S-TYPE 1.12kg

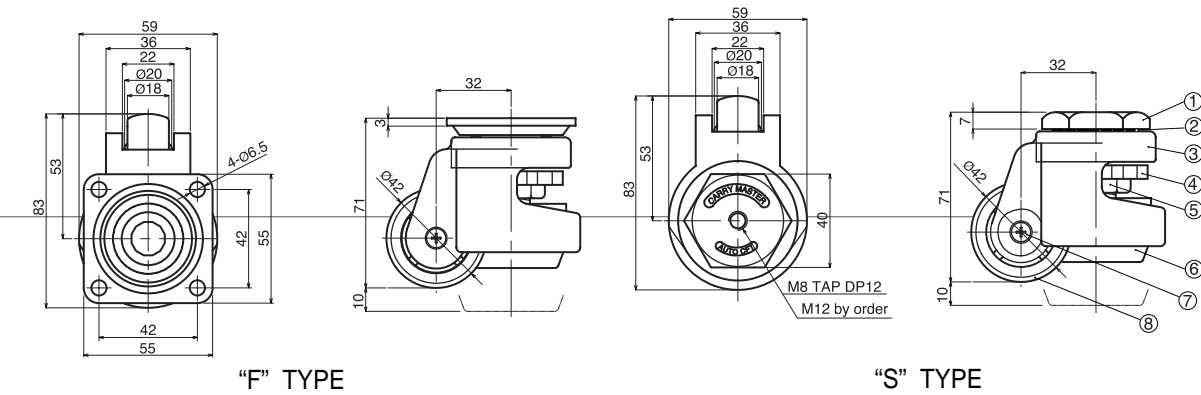


DY-600F

DY-600FU

DY-600S

DY-600SM



"F" TYPE

"S" TYPE

NO.	PARTS	MATERIALS	TREATMENTS
01	Top plate	SPC SM45C	아연도금 Zn Galvanized (3+)
02	Ball	STB2	니켈 크롬도금 Ni-Cr
03	Frame	ADC8	상아색, Ivory Powder Coated
04	Handle	NYLON-6	적색, Red
05	Leveller(M-12)	SM45C	아연도금 Zn Galvanized (3+)
06	Foot	N.B.R(Urethane by order)	검정색 Black
07	Pin	SM45C	아연도금 Zn Galvanized (3+)
08	Wheel	NYLON-6 (Urethane by order) (MC-Nylon by order)	검정색, 적색 Black, Red

중하중용
MEDIUM DUTY PURPOSE
DY-1000
F-TYPE / S-TYPE

- 해당 허용 하중 (Load/Unit) : 800kg/EA
- 추천 허용 하중 (Recommended) : 1,600kg/4EA
- 자중 (Net Weight) : F-TYPE 1.82kg, S-TYPE 1.56kg

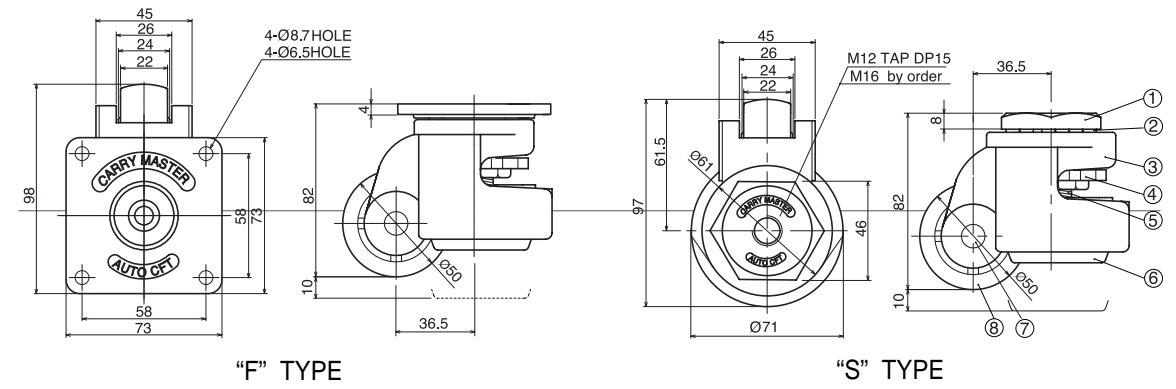


DY-1000F

DY-1000FU

DY-1000S

DY-1000SM



"F" TYPE

"S" TYPE

NO.	PARTS	MATERIALS	TREATMENTS
01	Top plate	SPC SM45C	아연도금 Zn Galvanized (3+)
02	Ball	STB2	니켈 크롬도금 Ni-Cr
03	Frame	ADC8	상아색, Ivory Powder Coated
04	Handle	NYLON-6	적색, Red
05	Leveller(M-12)	SM45C	아연도금 Zn Galvanized (3+)
06	Foot	N.B.R(Urethane by order)	검정색 Black
07	Pin	SM45C	아연도금 Zn Galvanized (3+)
08	Wheel	NYLON-6 (Urethane by order) (MC-Nylon by order)	검정색, 적색 Black, Red

중하중용
MEDIUM DUTY PURPOSE
DY-1300
F-TYPE / S-TYPE

- 해당 허용 하중 (Load/Unit) : 1,000kg/EA
- 추천 허용 하중 (Recommended) : 2,000kg/4EA
- 자중 (Net Weight) : F-TYPE 2.04kg, S-TYPE 1.78kg

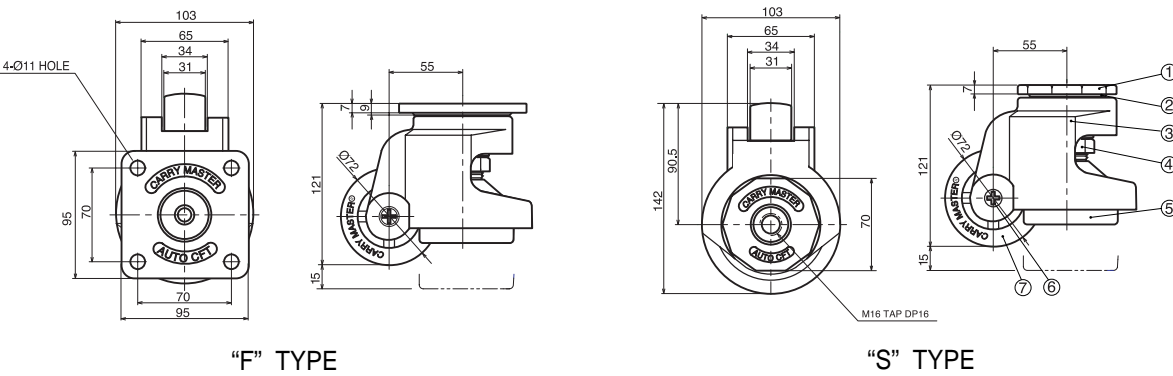


DY-1300F

DY-1300FU

DY-1000S

DY-1000SM



"F" TYPE

"S" TYPE

NO.	PARTS	MATERIALS	TREATMENTS
01	Top plate	SPC SM45C	아연도금 Zn Galvanized(3+)
02	Ball	STB2	니켈 크롬도금 Ni-Cr
03	Frame	ADC8	상아색, Ivory Powder Coated
04	Leveller(M-16)	SUS304	
05	Foot	ADC8	검정색 Black
06	Pin	SM45C	아연도금 Zn Galvanized(3+)
07	Wheel	NYLON-6	검정색, 적색 Black, Red

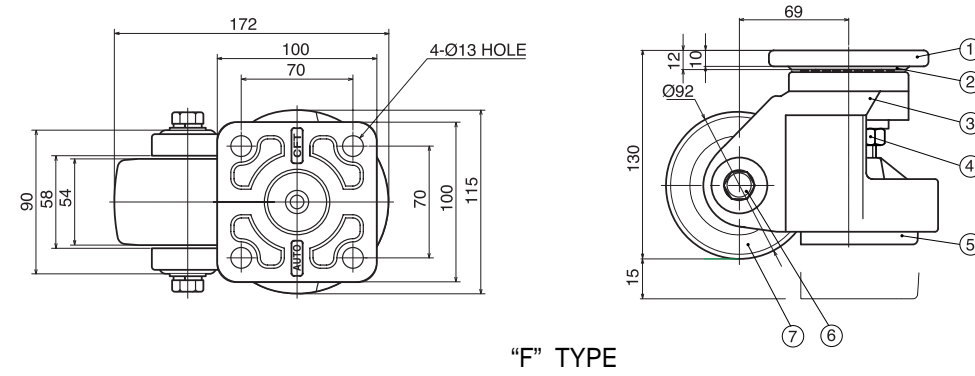
(Urethane by order)
(MC-Nylon by order)

고하중용
HEAVY DUTY PURPOSE
DY-1800F
F-TYPE

- 해당 허용 하중 (Load/Unit) : 1,500kg/EA
- 추천 허용 하중 (Recommended) : 3,000kg/4EA
- 자중 (Net Weight) : 4.4kg

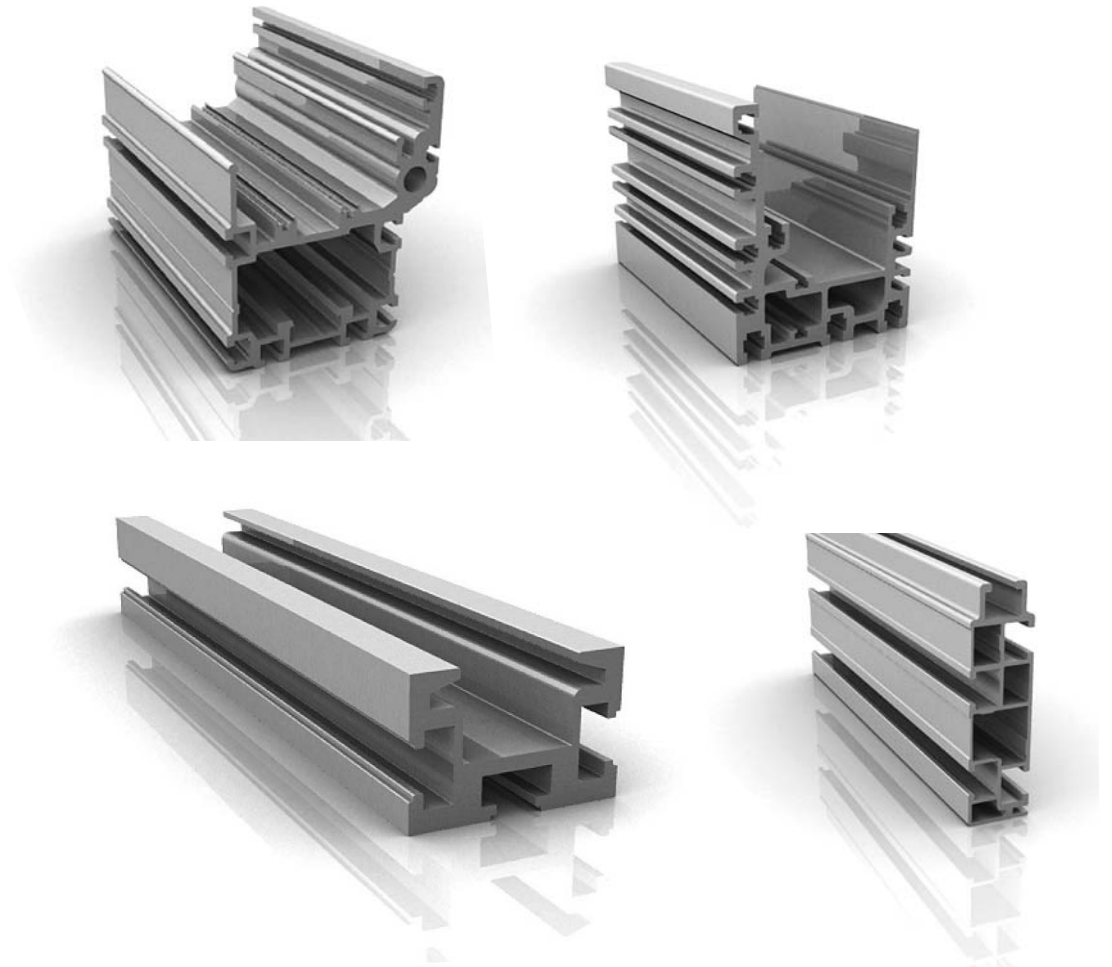
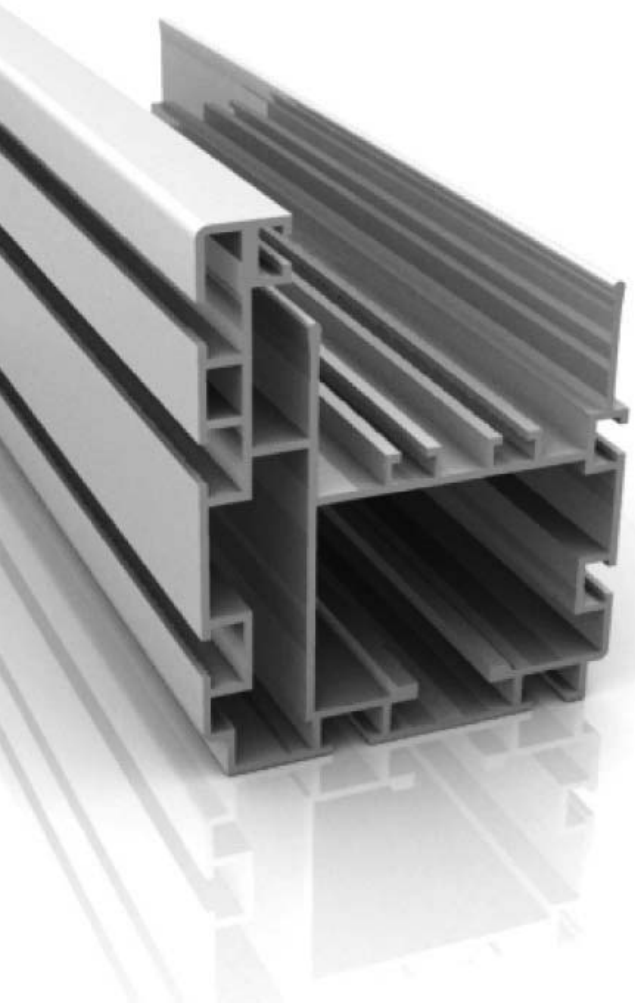


DY-1800F



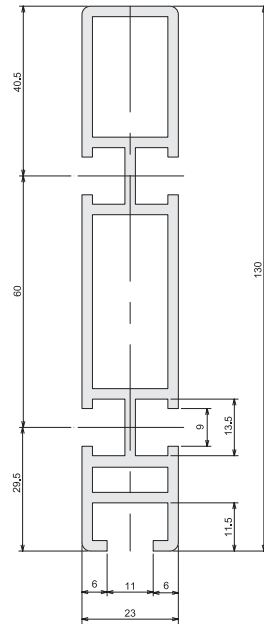
"F" TYPE

NO.	PARTS	MATERIALS	TREATMENTS
01	Top plate	SPC SM45C	아연도금 Zn Galvanized(3+)
02	Ball	STB2	니켈 크롬도금 Ni-Cr
03	Frame	GCD45	상아색, Ivory Powder Coated
04	Leveller(M-20)	SUS304	
05	Foot	ADC8	
06	Pin	SM45C	
07	Wheel	MC Nylon	



CONVEYOR FRAME

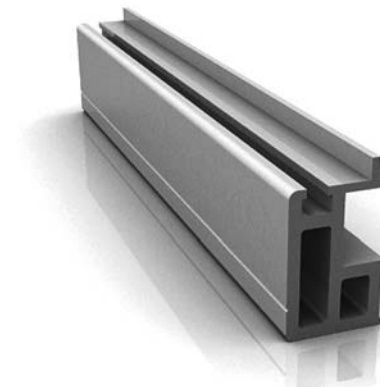
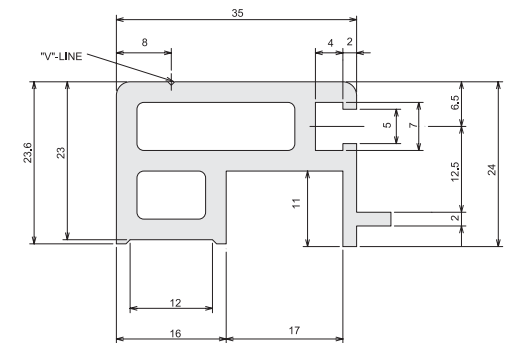
DC 25130 23 X 130



Technical Data (技術 Data)

Material (材質)	A6063S-T5
Surface Processing (表面處理)	Anodized
Weight (重量)	2.5kg/m
Application (用途)	Conveyor frame (컨베이어 프레임)

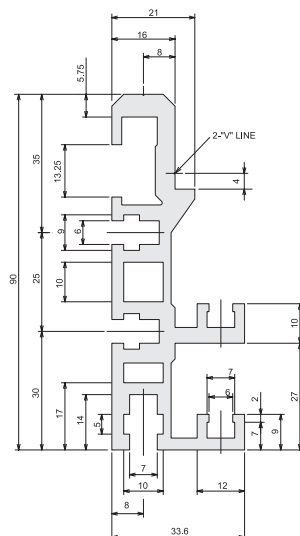
DC 4024 40 X 24



Technical Data (技術 Data)

Material (材質)	A6063S-T5
Surface Processing (表面處理)	Anodized
Weight (重量)	1.03kg/m
Application (用途)	Pallet guide rail (팔렛 가이드 컨베이어 프레임)

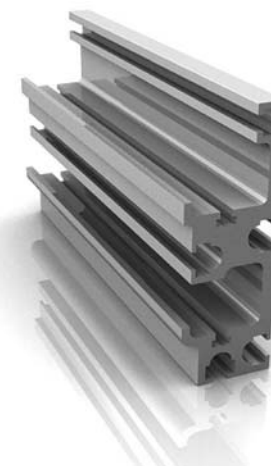
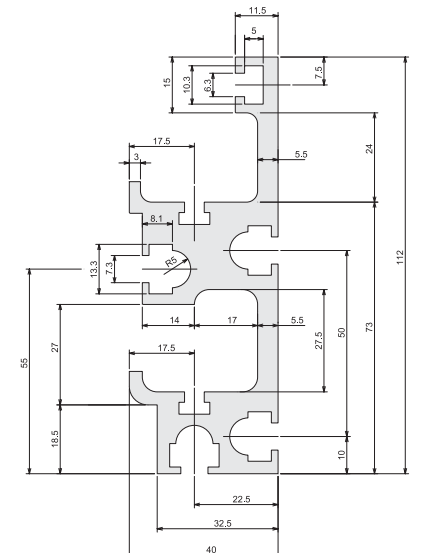
DC 3390 33 X 90



Technical Data (技術 Data)

Material (材質)	A6063S-T5
Surface Processing (表面處理)	Anodized
Weight (重量)	2.57kg/m
Application (用途)	Roller conveyor frame (컨베이어 프레임)

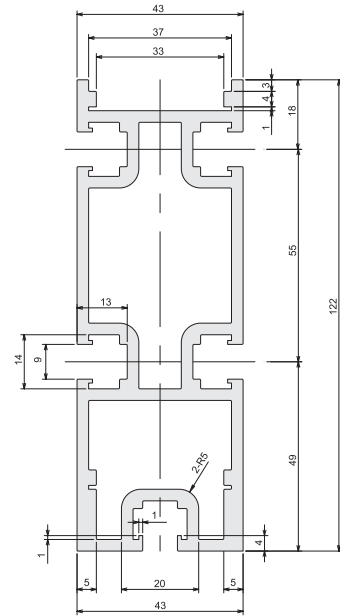
DC 4073 40 X 73



Technical Data (技術 Data)

Material (材質)	A6063S-T5
Surface Processing (表面處理)	Anodized
Weight (重量)	4.02kg/m
Application (用途)	RS #30 Chain conveyor frame (컨베이어 프레임)

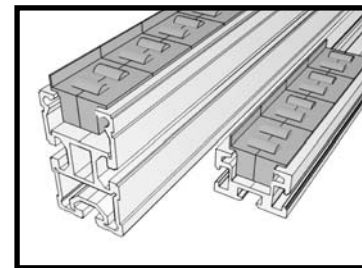
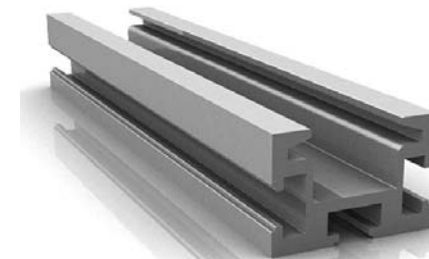
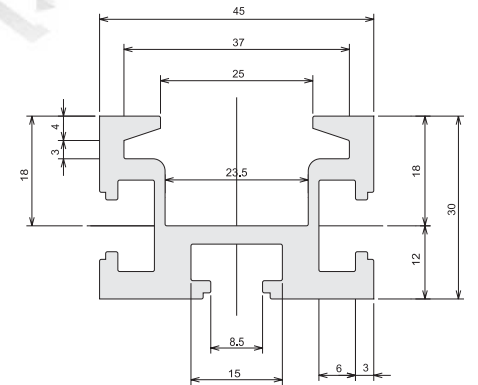
DC 43122 43 X 122



Technical Data (技術 Data)

Material (材質)	A6063S-T5
Surface Processing (表面處理)	Anodized
Weight (重量)	4.027kg/m
Application (用途)	Belt conveyor frame (벨트 컨베이어 프레임)

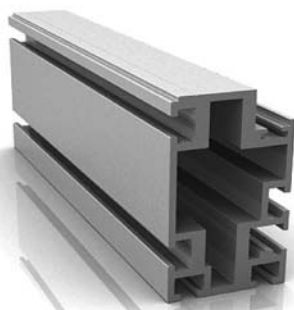
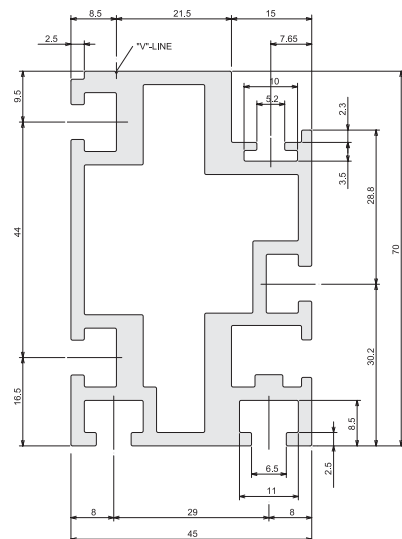
DC 3045 30 X 45



Technical Data (技術 Data)

Material (材質)	A6063S-T5
Surface Processing (表面處理)	Anodized
Weight (重量)	1.40kg/m
Application (用途)	Roller conveyor frame (컨베이어 프레임)

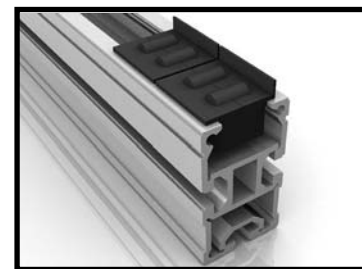
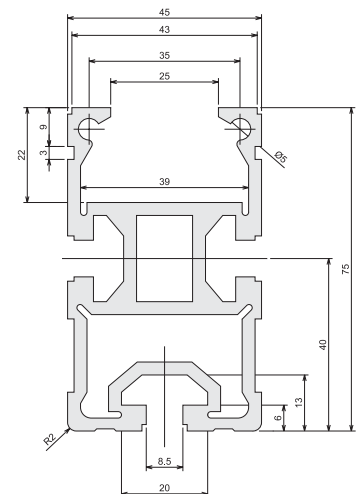
DC 4570 45 X 70



Technical Data (技術 Data)

Material (材質)	A6063S-T5
Surface Processing (表面處理)	Anodized
Weight (重量)	2.7kg/m
Application (用途)	PCB insert conveyor frame (PCB insert 컨베이어 프레임)

DC 4575 45 X 75



Technical Data (技術 Data)

Material (材質)	A6063S-T5
Surface Processing (表面處理)	Anodized
Weight (重量)	3.04kg/m
Application (用途)	Twin conveyor frame

Profile

Angle

Duct

Profile Accessory

Conveyor Frame

Air Supply System

AL Tube

Technical Data

Pipe rack system

Profile

Angle

Duct

Profile Accessory

Conveyor Frame

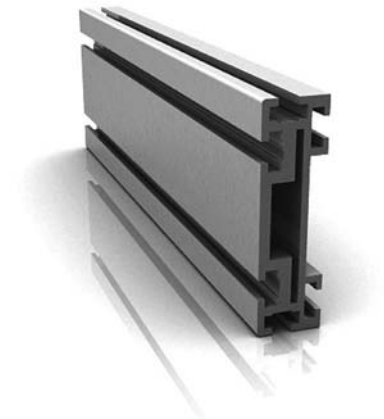
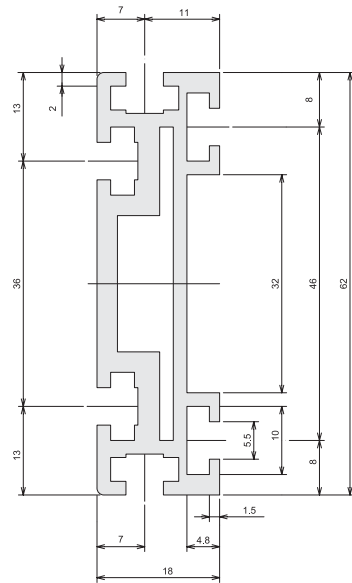
Air Supply System

AL Tube

Technical Data

Pipe rack system

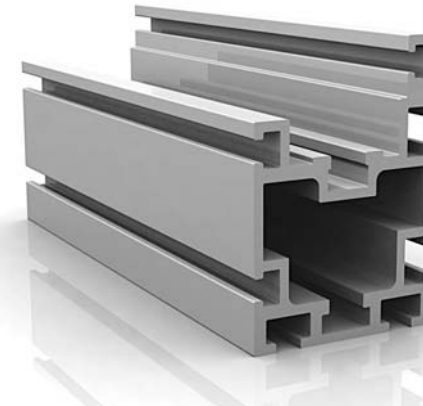
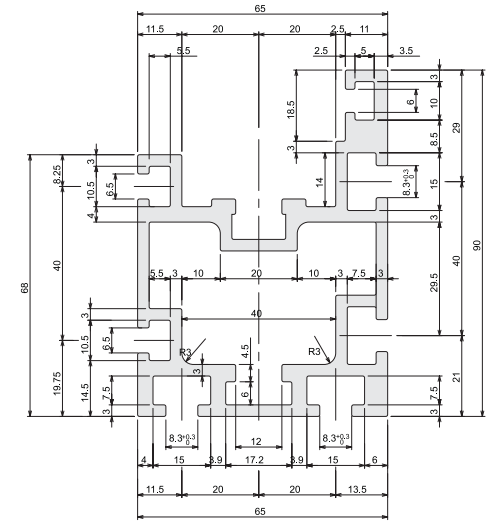
DC 6218 62 X 18



Technical Data (技術 Data)

Material (材質)	A6063S-T5
Surface Processing (表面處理)	Anodized
Weight (重量)	1.27kg/m
Application (用途)	Conveyor frame (컨베이어 프레임)

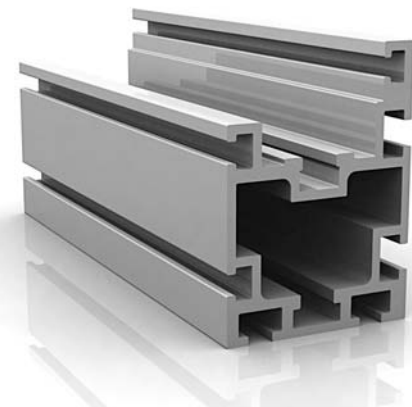
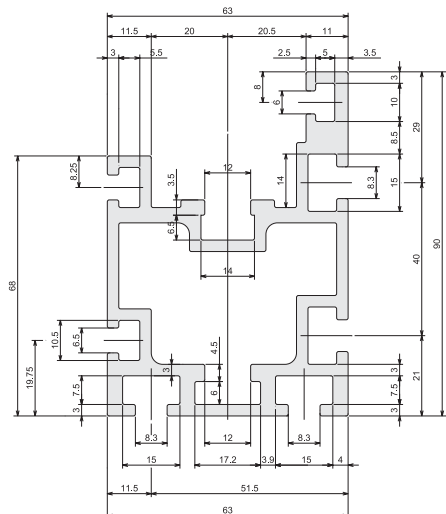
DC 6590 65 X 90



Technical Data (技術 Data)

Material (材質)	A6063S-T5
Surface Processing (表面處理)	Anodized
Weight (重量)	3.8kg/m
Application (用途)	RF2040 VRP Chain C/V Frame

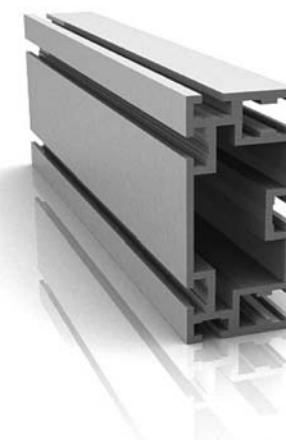
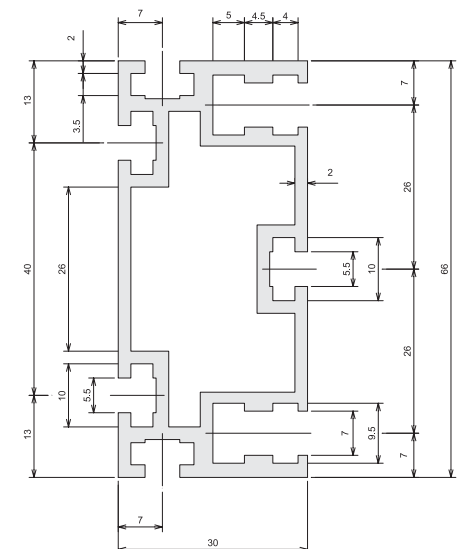
DC 6390 63 X 90



Technical Data (技術 Data)

Material (材質)	A6063S-T5
Surface Processing (表面處理)	Anodized
Weight (重量)	3.7kg/m
Application (用途)	RF2040 VRP chain conveyor frame (체인 컨베이어 프레임)

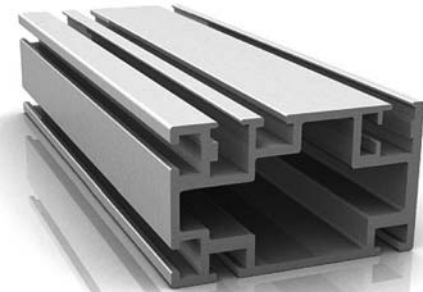
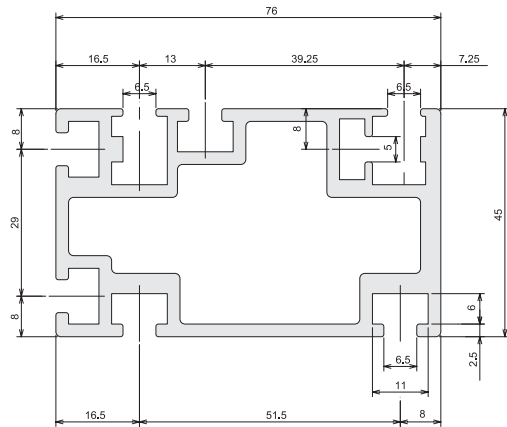
DC 6630 66 X 30



Technical Data (技術 Data)

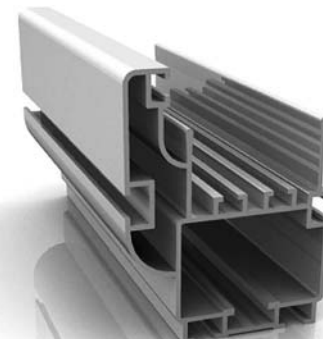
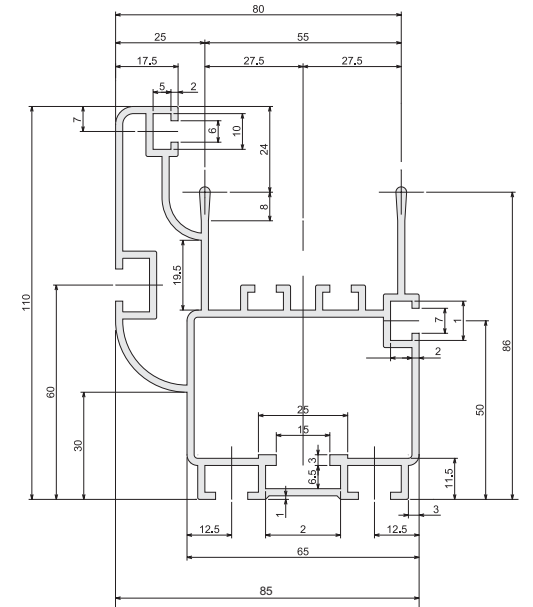
Material (材質)	A6063S-T5
Surface Processing (表面處理)	Anodized
Weight (重量)	1.56kg/m
Application (用途)	PCB insert conveyor frame (PCB insert 컨베이어 프레임)

DC 7645 76 X 45



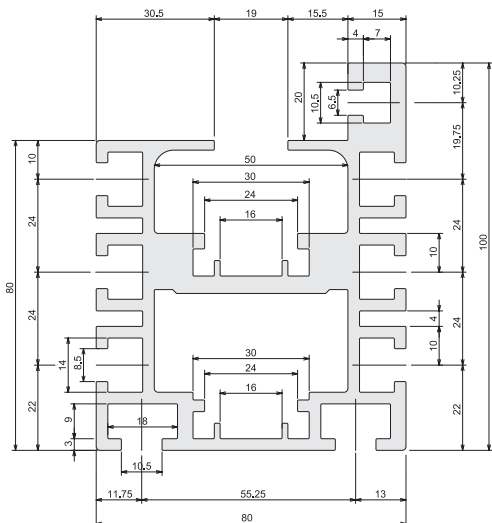
Technical Data (技術 Data)	
Material (材質)	A6063S-T5
Surface Processing (表面處理)	Anodized
Weight (重量)	2.58kg/m
Application (用途)	PCB insert conveyor frame (PCB insert 컨베어 프레임)

DC 85110 85 X 110



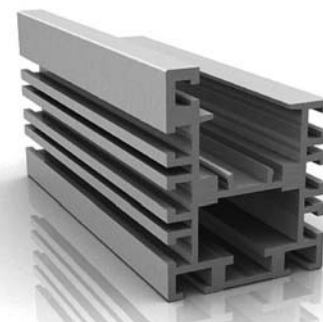
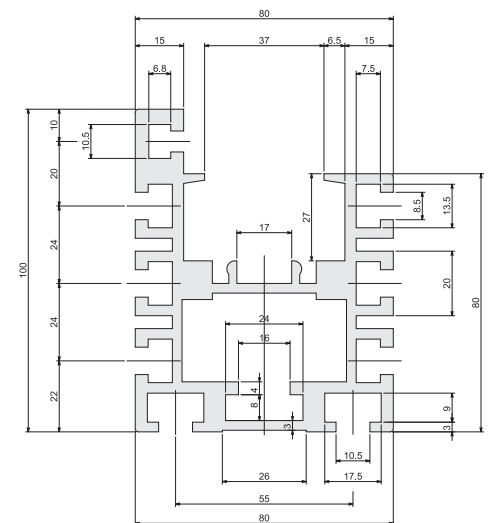
Technical Data (技術 Data)	
Material (材質)	A6063S-T5
Surface Processing (表面處理)	Anodized
Weight (重量)	3.08kg/m
Application (用途)	RF2050 chain conveyor frame (체인 컨베어 프레임)

DC 80100 80 X 100



Technical Data (技術 Data)	
Material (材質)	A6063S-T5
Surface Processing (表面處理)	Anodized
Weight (重量)	5.67kg/m
Application (用途)	RF2050 chain conveyor frame

DC 10080 100 X 80



Technical Data (技術 Data)	
Material (材質)	A6063S-T5
Surface Processing (表面處理)	Anodized
Weight (重量)	5.66kg/m
Application (用途)	RF2050 chain conveyor frame (컨베어 프레임)

Profile

Angle

Duct

Profile Accessory

Conveyor Frame

Air Supply System

AL Tube

Technical Data

Pipe rack system

Profile

Angle

Duct

Profile Accessory

Conveyor Frame

Air Supply System

AL Tube

Technical Data

Pipe rack system

Profile

Angle

Duct

Profile Accessory

Conveyor Frame

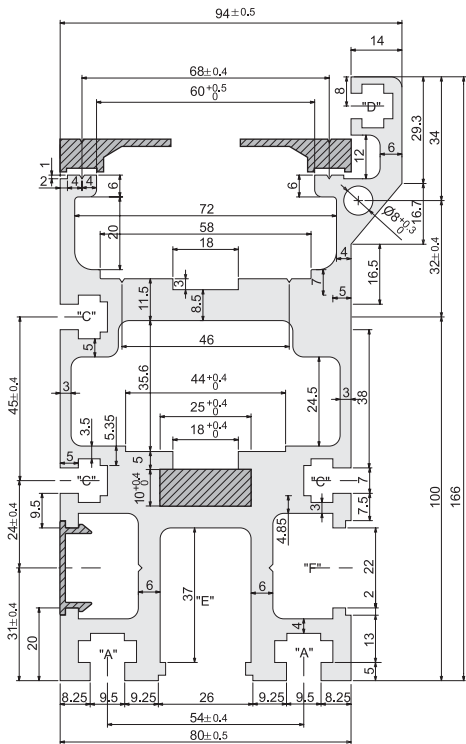
Air Supply System

Al Tube

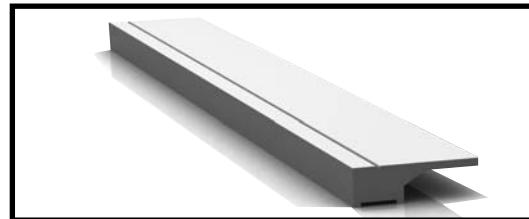
Technical Data

Pipe rack system

DY 1886 80 X 166

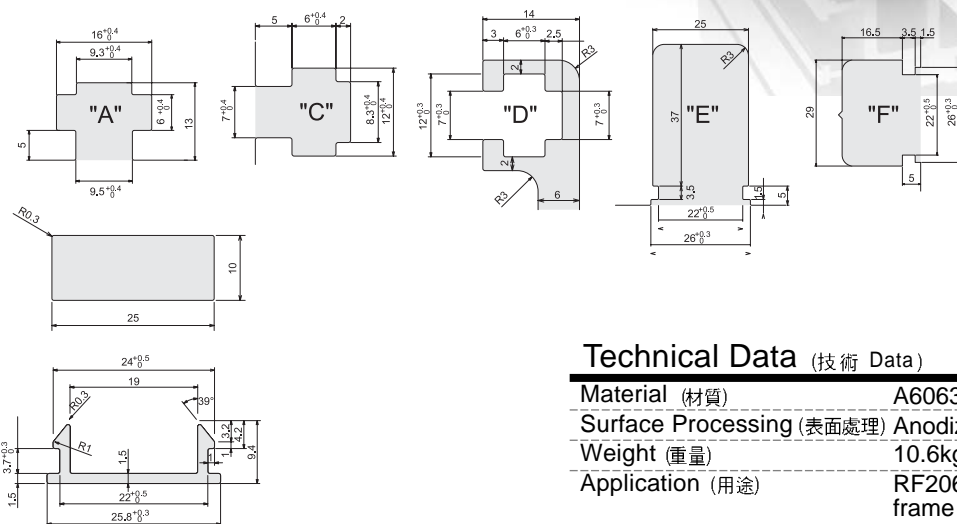


DY 1055



Technical Data (技術 Data)

Material (材質)	A6063S-T5
Surface Processing (表面處理)	Anodized
Weight (重量)	0.39kg/m
Application (用途)	RF2060 chain conveyor frame (체인 컨베어 프레임)



Technical Data (技術 Data)

Material (材質)	A6063S-T5
Surface Processing (表面處理)	Anodized
Weight (重量)	10.6kg/m
Application (用途)	RF2060 chain conveyor frame (체인 컨베어 프레임)

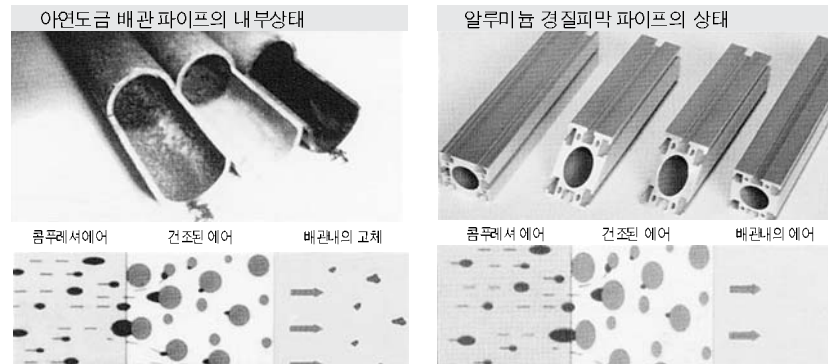


AIR SUPPLY SYSTEM

에어시스템, 클린에어 시스템

Profile
Angle
Duct
Profile Accessory
Conveyor Frame
Air Supply System
AL Tube
Technical Data
Pipe rack system

Profile
Angle
Duct
Profile Accessory
Conveyor Frame
Air Supply System
AL Tube
Technical Data
Pipe rack system



아연도금 강판은

- 관 내부에 부식이 발생 / 부식이유체 오염의원인
- 장비 고장의 원인 / 고장으로 생산성저하
- 시공시 장시간소요 / 시공 전문장비 필요
- 시공 기술자가 시공 / 외부 페인트 필요

경질피막파이프는

- 내·외부의 부식이 전혀없다. / 청정 유체를 공급한다.
- 장비 가동률 향상으로 생산성 향상 / 생산제품의 품질향상
- 시공시간 절감 및 초보자도 시공가능 / 시공 전문장비 불필요
- 초보자도 시공가능 / 외부 페인트 불필요
- 쾌적한 작업환경 조성 / 추가 연결 배관이 편리하다.
- 프로파일 구조물과 호환성이 있다.

배관 시스템 사양

품 명	재 질	표면처리	색상	사용온도	사용압력
Profile Tube	Al 6063-T5	경질피막	알루미늄 자연색	-20℃ ~ +60℃	10bar
배관연결재	ADC-12	연질피막	흑색	-20℃ ~ +60℃	10bar
	AC-4A	연질피막	흑색	-20℃ ~ +60℃	10bar
연결 Bracket	ADC-12	연질피막	알루미늄 자연색	-20℃ ~ +60℃	
연결 Bolt류	SCM	아연도금	백색, 흑색	-20℃ ~ +60℃	
연결 Nut류	SCM	아연도금	백색	-20℃ ~ +60℃	
멀티 커플링	황동	크롬도금	백색 광택	-20℃ ~ +60℃	10bar
에어컨	수지, Steel	부분도금	흑색외	-20℃ ~ +60℃	7bar
코일호스	Nylon		노랑, 청색	-20℃ ~ +60℃	7bar
압력 게이지	Steel 외	아연도금외	흑색외	-20℃ ~ +60℃	10bar
볼 밸브	황동 외		황동 자연색	-20℃ ~ +60℃	10bar
넛류	황동		황동 자연색	-20℃ ~ +60℃	10bar
O-Ring	NBR		흑색	-20℃ ~ +60℃	10bar

Al-Profile Tube / TYPE : MA-4540, MA-4545

TYPE	A	B	C
MA-4540	40	17.5	∅4.2
MA-4545	45	49	∅5

공급길이 3000mm

Tree 연결구 / TYPE : MAT-4540

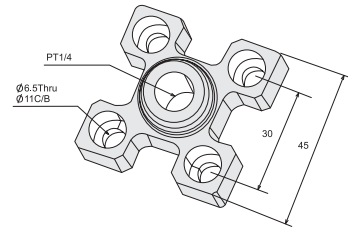
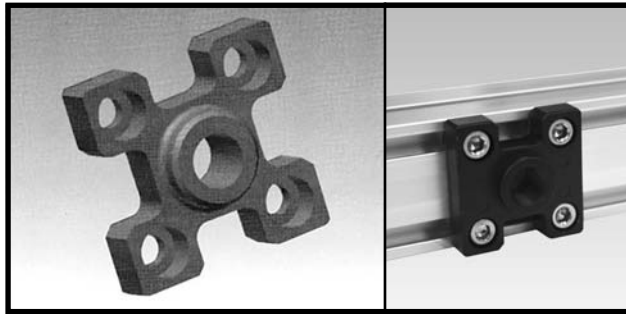
Union 연결구 / TYPE : MAU-4540

Elbow / TYPE : MAL-4540

Profile
Angle
Duct
Profile Accessory
Conveyor Frame
Air Supply System
AL Tube
Technical Data
Pipe rack system

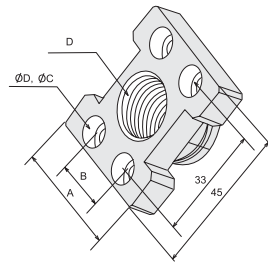
Profile
Angle
Duct
Profile Accessory
Conveyor Frame
Air Supply System
AL Tube
Technical Data
Pipe rack system

분배용 연결 블럭 / TYPE : MAD-4545



※ PF나사는 주문사항

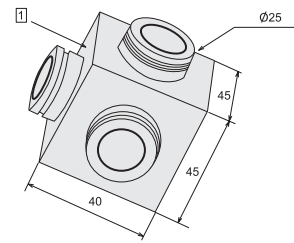
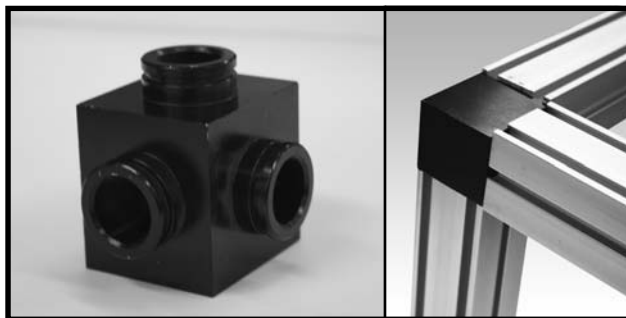
End Cover / TYPE : MAEC-4045-***, MAEC-4545-***



TYPE	A	B	C	d	D
MAEC-4045-D	40	17.5	10	6	무가공
MAEC-4045-1.2	40	17.5	10	6	PT1/2
MAEC-4545-D	45	19	11	7	무가공
MAEC-4545-1.2	45	19	11	7	PT1/2

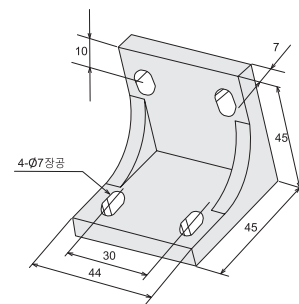
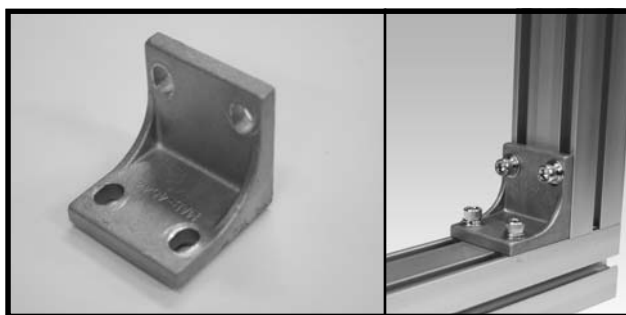
※ PF나사는 주문사항

3면 연결구 / TYPE : MAB-4544

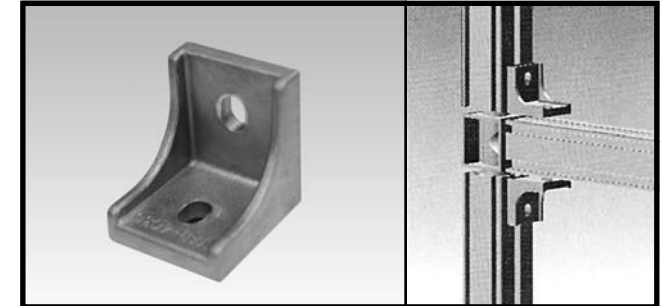
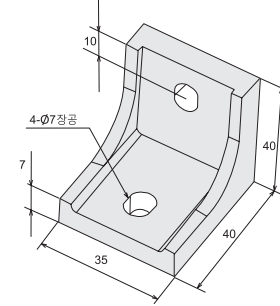


□ 표시부는 MA-4545 TUBE조립

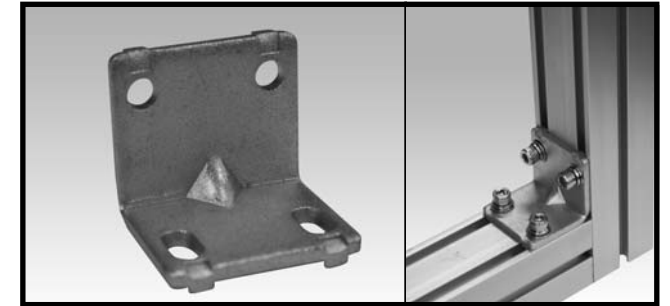
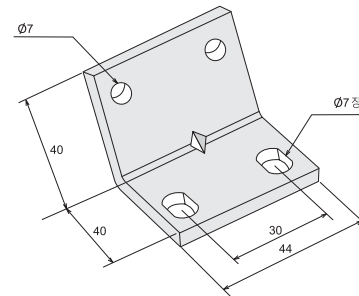
AL Bracket / TYPE : MAB-4540



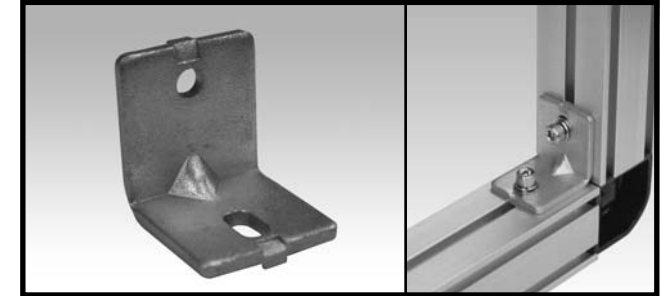
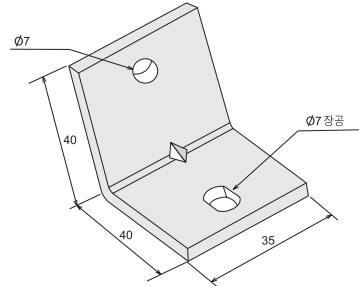
AL Bracket / TYPE : MAB-4035



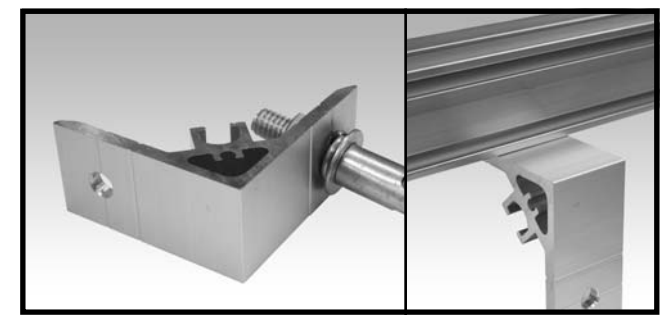
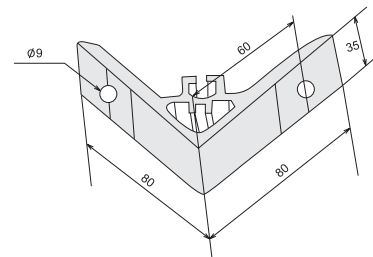
Steel Bracket / TYPE : MASB-4044

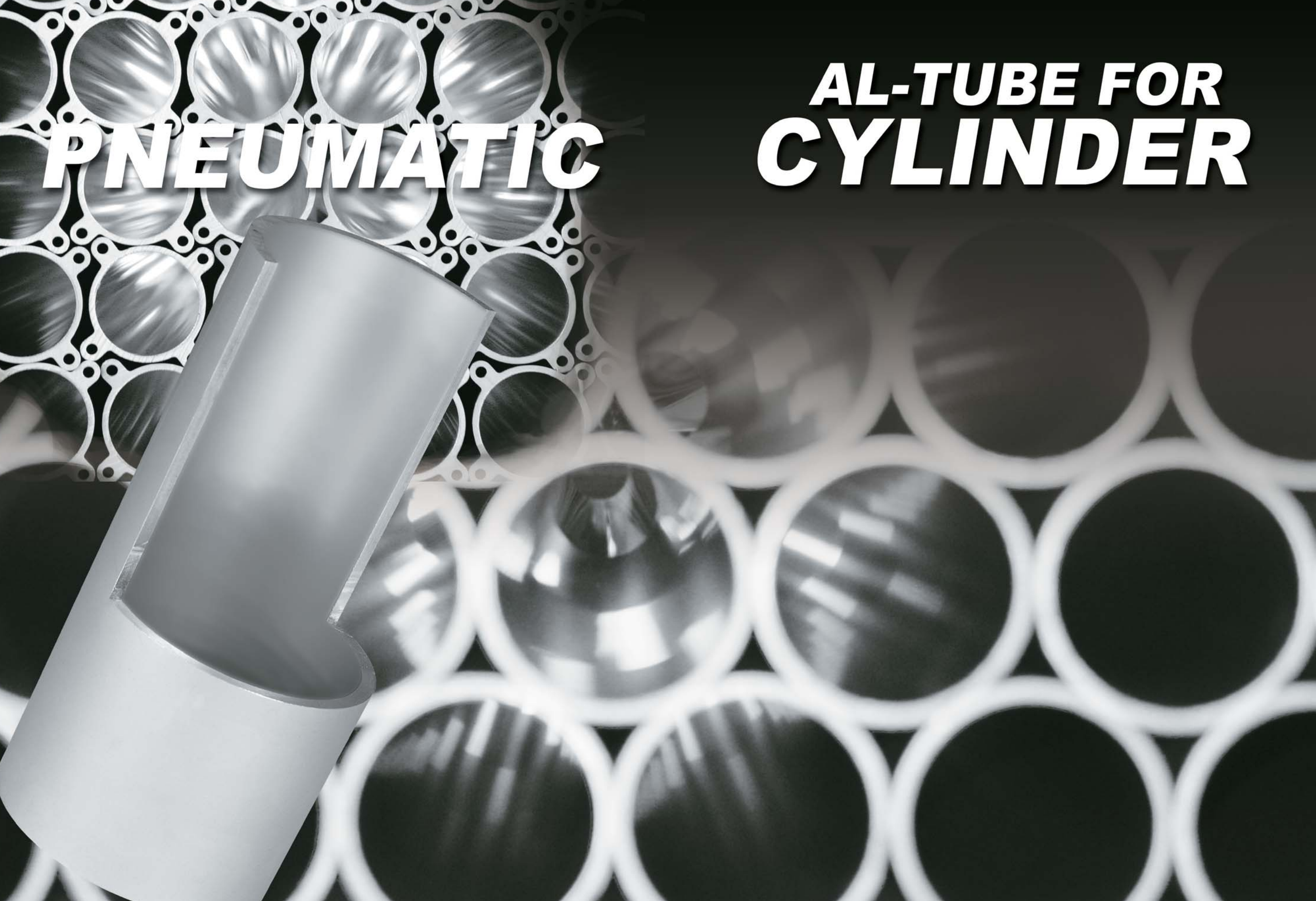


Steel Bracket / TYPE : MASB-4035



벽부착용 마운팅 / TYPE : MAWB-8035





PNEUMATIC

***AL-TUBE FOR
CYLINDER***

TUBE FEATURE

1. Equivalent roundness of I.D

Air cylinder has straight and equivalent Round I.D. The Excellent equivalent Round I.D has a long life. The Extrusion Tube has plus and minus 5% of mean wall thickness and Excellent Equivalent Round I.D prevents Air leakiness.

진원도의 향상을 위하여 압출소관의 편육율을 1/5로 사전체크, 인발공정을 거침으로 보다 향상된 진원도로 Air누설의 가장 큰 원인을 해소하였습니다.

2. Appearance

Produced with the care of color and its appearance and will not gather stain or scratches from other materials when being put together.

색상 및 외관이 미려하여, 조립시 이물질에 의한 얼룩, 타흔이 발생하지 않습니다.

3. I.D

The Tolerance of perfect seal ecoentric load ecoentric abrasion. 허용공차의 완벽한 관리로써 SEAL의 편마모 현상 및 편하중에 의한 수명단축을 극복하였습니다.

4. Allowable deviation from straight

Adapting oil press system from chain system for driving power of drawing which is the key process and stable straightness enabled us to double the stable abrasion and Life time.

작업공정의 핵심인 인발기구 동원을 체인방식에서 유압방식으로 확보하여 부분 편마모 및 수명을 배가시켰습니다.

5. Roughness

The roughness has an important effect on life time of sealing we have started the process of hard anodizing and acquired more stable roughness.

조도는 SEAL의 수명에 가장 직접적인 영향을 미치므로 조도를 증가시키기 위해 HARD ANODIZING 공정중, 전처리 공정을 채택, 보다 안정된 조도를 확보하였습니다.

6. Anodic coating film

Anodic coating film is 25 over hardness is HV400 Over a AL tube has high prevention of wear.

내마모성을 증가시키기 위해 피막두께는 25 ±5μm으로 향상시켰으며, 피막경도는 HV400 이상으로 Tube의 수명을 배가시켰습니다.



TUBE SPECIFICATION LIST

1. AL Round Tube (Grade H9)

내경 Inside Diameter	외경 Outside Diameter	생산길이 Length	내경공차 I.D	진원도 Roundness	외경공차 O.D	내면 공차 Innerface Tolerance
20	25, 26, 27	2,050	-0 ~ +0.042	≤ 0.04	± 0.10	Rz3.2
25	30, 31	2,050	-0 ~ +0.042	≤ 0.04	± 0.13	Rz3.2
30	35, 36, 37	2,050	-0 ~ +0.052	≤ 0.04	± 0.13	Rz3.2
32	36, 37, 38	3,050	-0 ~ +0.052	≤ 0.04	± 0.13	Rz3.2
40	44, 45, 47	3,050	-0 ~ +0.062	≤ 0.05	± 0.13	Rz3.2
50	54, 55, 56.4, 58	3,050	-0 ~ +0.062	≤ 0.05	± 0.15	Rz3.2
63	68, 69, 71, 72	3,050	-0 ~ +0.074	≤ 0.05	± 0.15	Rz3.2
70	77	3,050	-0 ~ +0.074	≤ 0.05	± 0.15	Rz3.2
80	86.4, 87, 88, 89	3,050	-0 ~ +0.074	≤ 0.06	± 0.20	Rz3.2
100	106, 107, 108, 110	3,050	-0 ~ +0.084	≤ 0.07	± 0.20	Rz3.2
125	134, 135	2,050	-0 ~ +0.100	≤ 0.10	± 0.25	Rz3.2
140	150	2,050	-0 ~ +0.100	≤ 0.11	± 0.28	Rz3.2
150	160	2,050	-0 ~ +0.100	≤ 0.11	± 0.28	Rz3.2
160	170, 171	2,050	-0 ~ +0.100	≤ 0.13	± 0.30	Rz3.2

Material AA6063 TD83

※ Anodic coating film

① Thickness : 25μm ± 5μm ② Hardness : HV 400 ↑



Profile

Angle

Duct

Profile Accessory

Conveyor Frame

Air Supply System

AL Tube

Technical Data

Pipe rack system

Profile

Angle

Duct

Profile Accessory

Conveyor Frame

Air Supply System

AL Tube

Technical Data

Pipe rack system

TUBE SPECIFICATION LIST

TUBE SPECIFICATION LIST

2. AL Profile Tube (Grade H11)

내경 Inside Diameter	내경공차 I.D	생산길이 Length	직진도 공차 Straightness	내면 공차 Innerface Tolerance
32	-0 ~ +0.16	2,050	0.8/1000mm	Rz3.2
40	-0 ~ +0.16	2,050	0.8/1000mm	Rz3.2
50	-0 ~ +0.19	2,050	0.8/1000mm	Rz3.2
63	-0 ~ +0.19	2,050	0.8/1000mm	Rz3.2
80	-0 ~ +0.22	2,050	0.8/1000mm	Rz4
100	-0 ~ +0.22	2,050	0.8/1000mm	Rz5

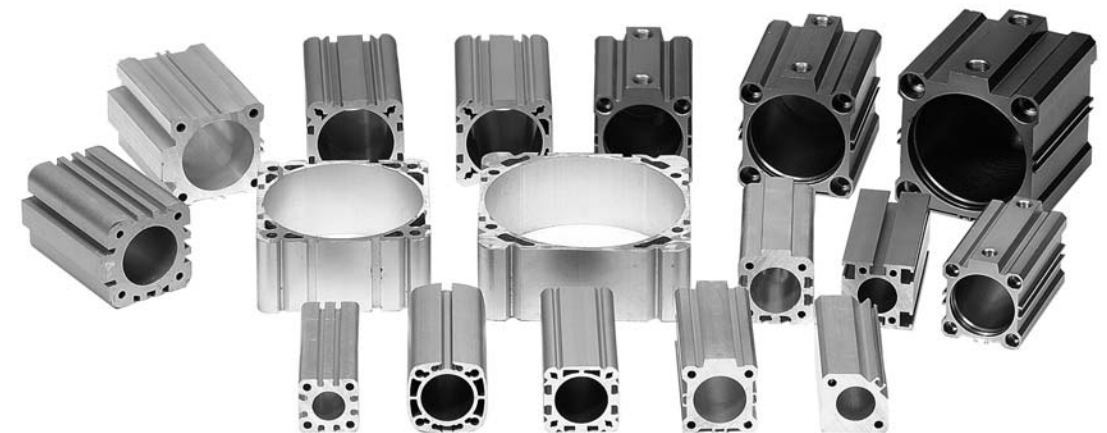
Material AA6063 TD83
 ※Anodic coating film
 ①Thickness : 25 μ m \pm 5 μ m ②Hardness : HV 400 \uparrow



3. AL Compact Tube (Grade H11)

내경 Inside Diameter	내경공차 I.D	생산길이 Length	직진도 공차 Straightness	내면 공차 Innerface Tolerance
32	-0 ~ +0.16	2,050	0.8/1000mm	Rz3.2
40	-0 ~ +0.16	2,050	0.8/1000mm	Rz3.2
50	-0 ~ +0.19	2,050	0.8/1000mm	Rz3.2
63	-0 ~ +0.19	2,050	0.8/1000mm	Rz3.2
80	-0 ~ +0.22	2,050	0.8/1000mm	Rz4
100	-0 ~ +0.22	2,050	0.8/1000mm	Rz5

Material AA6063 TD83
 ※Anodic coating film
 ①Thickness : 25 μ m \pm 5 μ m ②Hardness : HV 400 \uparrow



Profile

Angle

Duct

Profile Accessory

Conveyor Frame

Air Supply

AL Tube

Technical Data

Pipe rack system

Profile

Angle

Duct

Profile Accessory

Conveyor Frame

Air Supply

AL Tube

Technical Data

Pipe rack system

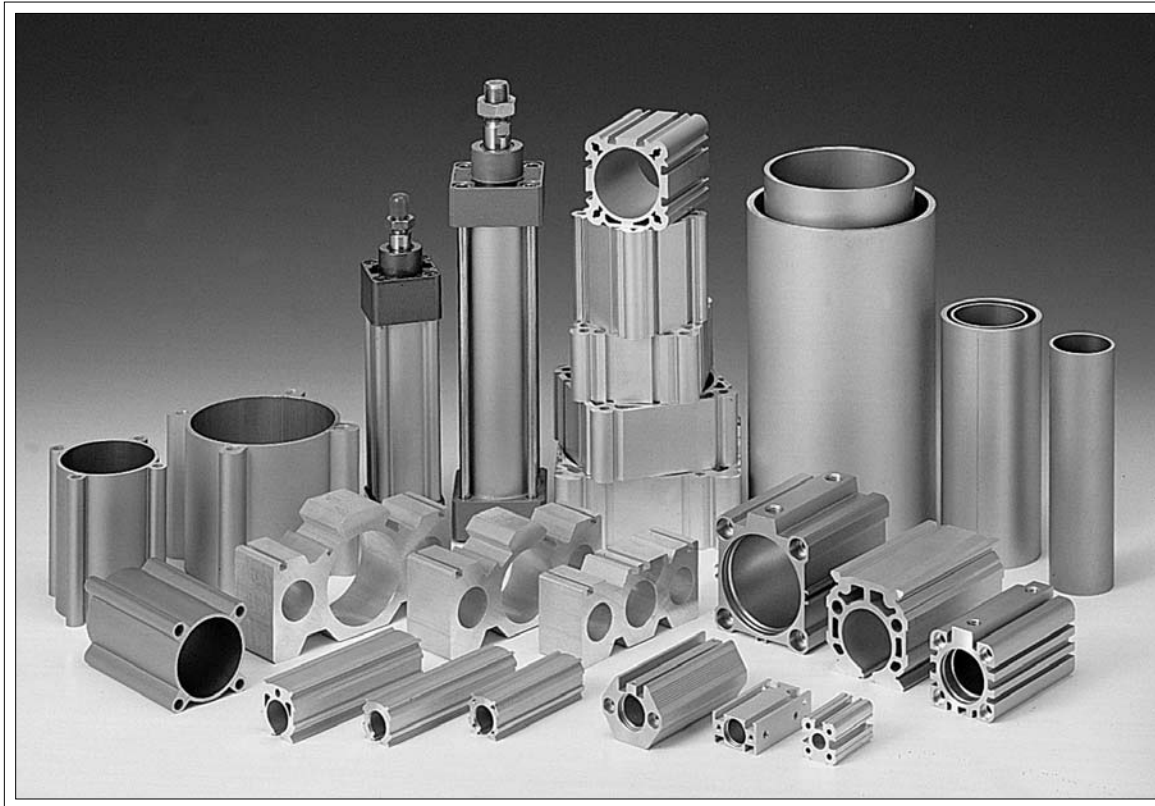
- Profile
- Angle
- Duct
- Profile Accessory
- Conveyor Frame
- Air Supply System
- AL Tube
- Technical Data
- Pipe rack system

AIR CYLINDER

각종 공압부품소재



DYC TUBE SERIES



TECHNICAL DATA

1. Calculating Graph for Bending Data

- ① Obtain I and L values and "a" point
- ② Obtain "a" point, W value and "b" point
- ③ Extend "a" horizontal line from point "b" and there by obtain the slackness.

Example : DF6060-6 (Lx=44.9*10mm)
L=1000mm
W=30kg의 경우 처짐량은?

- ① In case of one-sided support $\delta = 3.18\text{mm}$
- ② In case of both-sided support $\delta = 0.20\text{mm}$
- ③ In case of both-sided fix $\delta = 0.05\text{mm}$

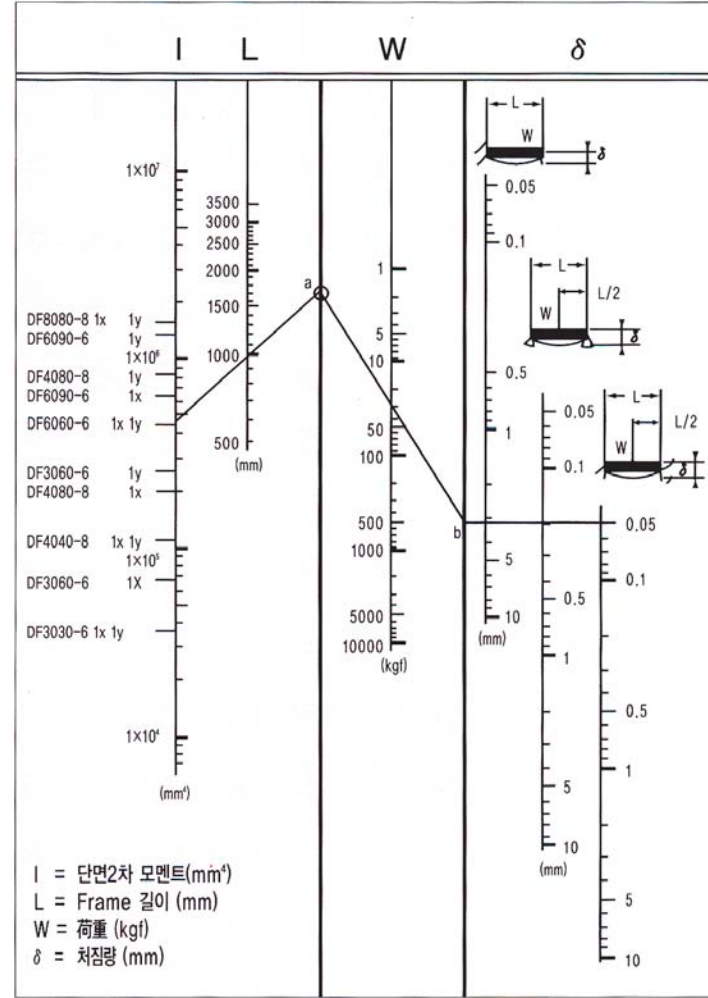
- ① I와 L 결과 a점을 구한다.
 - ② a점 W결과 b점을 구한다.
 - ③ b점에서 수평으로 선을 그어 처짐량을 구한다.
- (예) DF6060-6(Lx=44.9*10mm)

- L=1000mm
W=30kg의 경우 처짐량은?
① 한쪽 지지의 경우 $\delta = 3.18\text{mm}$
② 양단 지지의 경우 $\delta = 0.20\text{mm}$
③ 양단 고정의 경우 $\delta = 0.05\text{mm}$

2. Caculating Expression

In case of ① $\delta = \frac{WL}{3EI}$
In case of ② $\delta = \frac{WL}{48EI}$
In case of ③ $\delta = \frac{WL}{192EI}$ (E=7000kg/mm²)

- ①의 경우 $\delta = \frac{WL}{3EI}$
- ②의 경우 $\delta = \frac{WL}{48EI}$
- ③의 경우 $\delta = \frac{WL}{192EI}$ (E=7000kg/mm²)



알루미늄 및 알루미늄 합금압출관의 機械的性質

KS D 6761-83, JIS H 4080-1982

記號	質別	引張試驗				
		두께(mm)	斷面積(cm²)	引張強度(kg/mm²)	耐力(kg/mm²)	伸張(%)
A 1070TE	H112			5.5以上	1.5以上	
A 1050TE	H112			6.5以上	2.5以上	
A 1100TE A 1200TE	H112			7.5以上	2.0以上	25以上
A 1050TE	O ⁽³⁾ T ⁴ T ₄₂ ⁽⁴⁾			25以下	13以上	12以上
				35以上	25以上	12以上
				35以上	21以上	12以上
	T ₆₂	12以上		42以上	37以上	7以上
		12를 초과 以下		45以上	41以上	7以上
		19를 초과	160以下 160을 초과 200以下	48以上 41以上	42以上 41以上	7以上 6以上
T ₆₂ ⁽⁵⁾	19以下		42以上	37以上	7以上	
	19를 초과	160以下 160을 초과 200以下	42以上 42以上	37以上 37以上	6以上 6以上	
			25以下	13以上	16以上	
A 2017TE	O ⁽³⁾ T ⁴ T ₄₂ ⁽⁴⁾			35以上	22以上	12以上
A 2024TE	O ⁽²⁾			25以下	13以上	12以上
		6以下		40以上	30以上	10以上
		6을 초과시 19以下 19를 초과시 38以下		42以上 46以上	31以上 32以上	10以上 10以上
	T ⁴	38를 초과	160以下 160을 초과 200以下	49以上 48以上	34以上 32以上	10以上 8以上
		19以下		40以上	27以上	12以上
		19를 초과시 38以下		40以上	27以上	10以上
T ₄₂ ⁽⁴⁾	38를 초과	160以下 160을 초과 200以下	40以上 40以上	27以上 27以上	10以上 8以上	
			9.5以上	3.5以上		
	A 3003TE A 3203TE	H112			18以上	7以上
A 5052TE	H112			18以上 25以下	7以上	20以上
A 5014TE	0			21以上	7.5以上	
				21以上 29以下	7.5以上	
A 5454TE	H112	130以下	200以下	22以上	8.5以上	12以上
A 5056TE	0	130以下	200以下	22以上 29以下	8.5以上	14以上
A 5083TE	H112			25以上	10以上	
				200以下 200以下	28以上 28以上 36以下	11以上 11以上
A 6061TE	O ⁽³⁾ T ⁴ T ₄₂ ⁽⁴⁾ T ⁽⁶⁾ T ₆₂ ⁽⁵⁾			15以下	11以上	16以上
				18以上	11以上	16以上
				18以上	8.5以上	16以上
		6以下		27以上	25以上	8以上
		6을 초과		27以上	25以上	10以上
A 6063TE	T ¹ T ⁵	12以下		12以下	6以上	12以上
		12를 초과 25以下		11以上	5.5以上	12以上
		12以下		16以上	11以上	8以上
A 6N01	T ⁶	12를 초과 25以上		15以上	11以上	8以上
		3以下		21以上	18以上	8以上
		3를 초과 25以下		21以上	18以上	10以上
A 7003TE	T ⁵	12以下		29以上	25以上	10以上
		12를 초과 25以下		28以上	24以上	10以上
A 7N01TE	0 T ₄ ⁽⁶⁾ T ₆	1.6以上 12以下		25以下	15以下	12以下
		1.6以上 6以下		33以上	24以上	10以上
		1.6을 초과 12以下		33以上	24以上	10以上
A 7N01TE	O ⁽³⁾ T ₆ T ₆₂ ⁽⁵⁾			28以下	17以下	10以下
		6以下		55以上	49以上	7以上
		6을 초과 75以下		57以上	51以上	7以上

알루미늄 및 알루미늄 합금의棒과線 標準熱處理溫度 및 時間 K S D 6763-83, JIS H 4040-1982

合金番號	質別	품립	溶休化處理	담금질	時效硬化處理	
1075 1050 1100 1200	0	340~410°C 空冷 또는 爐冷				(1)時效硬化處理時間(시효경화처리시간)은 直徑이나 幅 또는 對邊距離(대변거리)가 12 cm以下인 것에 대하여 記錄計(기록계)가 所要溫度를 표시한 다음의 保存時間이다. 直徑이나 幅 또는 對邊距離(대변거리)가 12 cm중가할때마다 30分을 더한다. (2)熱處理한 것을 풀림하는 경우에는 叢 410°C로 加熱하고 1時間以上 그 溫度로 保存하면 좋다. 冷却은 260 °C까지 每時28 °C以下에서는 冷却速度가 問題되지 않는다. (3)熱處理한 것을 풀림하는 경우에는 410~455 °C로 加熱하고 (材料의 冷間速度(방간속도)가 적을 수록 높은 溫度가 必要하다.)이 溫度로 約2時間保存(보존)하여 空氣中에서 冷却하며, 그 溫度로 約6時間保存한 다음 室溫까지 冷却한다. (4)引拔棒 및 線에 대해서는 460~500°C로 한다. (5)引拔棒 및 線에 대해서는 460~500°C 約18 時間으로 한다.
2001	T3 T8		505~530°C	水冷	115~165°C, 約14時間	
2014	0 T4, T42 T6, T62	340~410°C 空冷 또는 爐冷	495~505°C	水冷	室溫 96時間 以上 170~180°C, 約10時間	
2017	0 T4, T42	340~410°C 空冷 또는 爐冷	490~510°C	水冷	室溫 96時間 以上	
2117	T4		490~510°C	水冷	室溫 96時間 以上	
2024	0 T4, T42 T62	340~410°C 空冷 또는 爐冷	490~500°C	水冷	室溫 96時間 以上 185~195°C, 約10時間	
3003	0	約410°C 空冷 또는 爐冷				
5052 5N02 5056 5083	0	340~410°C 空冷 또는 爐冷				
6061	0 T4, T42 T6, T62	340~410°C 空冷 또는 爐冷	510~550°C	水冷	室溫 96時間 以上 170~180°C, 約8時間	
6063	T5 T6		515~525°C	水冷	約205°C, 約1時間 170~180°C, 約16時間	
7003	T5					
7N01	0 T4 T6		約450°C 空冷 또는 水冷		室溫 1개월 以上 約120°C, 約24時間	
7075	0 T6, T62	340~410°C 空冷 또는 爐冷	460~470°C	水冷	115~125°C, 約8~16時間	

알루미늄 및 알루미늄 합금引管의 拔機械的性質 K S D 6761-83, JIS H 4080-1982

記號	質別	두께(mm)	斷面積(cm ²)	引張試驗		
				引張強度(kg/mm ²)	伸張(%)	
				耐力(kg/mm ²)	伸張(%)	
A 1070TD	0	0.4以上 12以下	5.5以上 9.5以下			
	H14	0.4以上 12以下	8.5以上			
	H16	0.4以上 12以下	9.5以上			
A 1050TD	H18	0.4以上 12以下	12以上			
	0	0.4以上 12以下	6.0以上 10以下			
	H14	0.4以上 12以下	9.5以上			
A 1100TD A 1200TD	H16	0.4以上 12以下	14以上			
	H18	0.4以上 12以下	16以上			
	0	0.4以上 12以下	7.5以上 11以下			
A 2017TD	O ⁽³⁾	0.6以上 12以下	25以上	13以下	17以上	16以上
	T3	0.6以上 12以下	38以上	22以上	13以上	12以上
	T42 ⁽⁴⁾	0.6以上 12以下	35以上	20以上	13以上	12以上
A 2024TD	O ⁽³⁾	0.6以上 12以下	22以上	19以下		
	T3	0.6以上 12以下	45以上	30以上	12以上	10以上
		12를 초과 6.5以下	45以上	30以上	14以上	10以上
	T42 ⁽⁴⁾	0.6以上 12以下	45以上	28以上	12以上	10以上
		12를 초과 6.5以下	45以上	28以上	14以上	10以上
	6.5를 초과 12以下	45以上	28以上	16以上	12以上	
A 3003TD	0	0.4以上 1.2以下	9.5以上 13以下	3.5以上	30以上	20以上
	12를 초과 6.5以下	9.5以上 13以下	3.5以上	35以上	25以上	
		6.5를 초과 12以下	9.5以上 13以下	3.5以上	30以上	30以上
A 3203TD	H14	0.4以上 0.6以下	14以上	12以上	3以上	
		0.6를 초과 1.2以下	14以上	12以上	5以上	5以上
	H18	0.4以上 0.6以下	19以上	17以上	2以上	
0.6를 초과 1.2以下		19以上	17以上	3以上	2以上	
A 5052TD	0	1.2를 초과 6.5以下	19以上	17以上	5以上	3以上
		0.6以上 12以下	18以上 25以下	7.0以上		
	H14 H34	0.6以上 12以下	24以上	18以上		
		H18 H38	0.6以上 12以下	28以上	22以上	

Profile

Angle

Duct

Profile Accessory

Conveyor Frame

Air Supply System

AL Tube

Technical Data

Pipe rack system

Profile

Angle

Duct

Profile Accessory

Conveyor Frame

Air Supply System

AL Tube

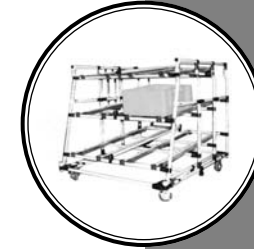
Technical Data

Pipe rack system

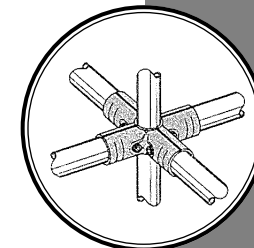
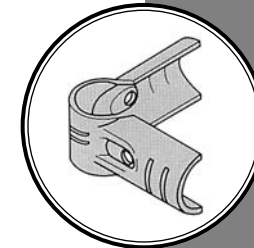
알루미늄 및 알루미늄 합금인관의 拔機械的性質

KS D 6761-83, JIS H 4080-1982

記號	質別	引張試驗				
		두께(mm)	斷面積(cm ²)	引張強度(kg/mm ²)	伸張(%)	
					耐力(kg/mm ²)	伸張(%)
A 5154TD	0	0,6以上 12以下	21以上 29以下	7,5以上		
A 1050TD	0	0,6以上 12以下	32以下	10以上		
	H12 H32	0,6以上 12以下	31以上			
A 5083TD	0	0,6以上 12以下	28以上 36以下	11以上	14以上	14以上
	H12 H32	0,6以上 12以下	32以上	24以上	5以上	5以上
A 6061TD	0	0,6以上 12以下	15以下	10以下	15以上	15以上
	T4	0,6以上 12以下	21以上	11以上	16以上	14以上
		1,2를 초과 6,5以下	21以上	11以上	18以上	16以上
	T4 ⁽⁴⁾	6,5를 초과 12以下	21以上	11以上	20以上	18以上
		0,6以上 12以下	21以上	9,5以上	16以上	14以上
	T6	1,2를 초과 6,5以下	21以上	9,5以上	18以上	16以上
		6,5를 초과 12以下	21以上	9,5以上	20以上	18以上
	T6 ⁽³⁾	0,6以上 12以下	30以上	25以上	10以上	8以上
		1,2를 초과 6,5以下	30以上	25以上	12以上	10以上
	0	6,5를 초과 12以下	30以上	25以上	14以上	12以上
0,6以上 12以下		13以下				
A 6063TD	0	0,6以上 12以下	23以上	20以上	12以上	8以上
	T6	0,6以上 12以下	23以上	20以上	14以上	10以上
		1,2를 초과 6,5以下	23以上	20以上	16以上	12以上
	T83	0,6以上 12以下	23以上	21以上	5以上	
A 7075TD	0 ⁽³⁾	0,6以上 12以下	28以下	15以下	10以上	8以上
	T6	1,2를 초과 6,5以下	28以下	15以下	12以下	10以下
		0,6以上 12以下	54以上	47以上	8以上	7以上
	T6 ⁽⁵⁾	6,5를 초과 12以下	54以上	47以上	9以上	8以上



PIPE RACK SYSTEM



Profile

Angle

Duct

Profile Accessory

Conveyor Frame

Air Supply System

AL Tube

Technical Data

Pipe rack system



LOGIFORM의 일반적 사양

LOGIFORM이란?

로지폼은 자신의 생각을 즉시 실현하고 그 효과를 바로 확인할 수 있습니다!!

· 로지폼은 ABS수지, 스테인레스, 알루미늄, 슬라이드, 강철파이프 등 다양한 재질로 제작되며, 다양한 규격과 두께를 제공합니다. 또한, 로지폼은 다양한 색상과 표면을 선택할 수 있으며, 다양한 용도에 적합합니다.

- 조립이 간단하여 특별한 기술이 없어도 제작이 가능합니다.
- 표면이 수지로 코팅 처리되어 청결함이 오래 유지됩니다.
- 제작에 실패하여도 수정이 간단합니다.
- 경량 자체이므로 제작 및 제작물의 핸드링이 용이합니다.
- 제작을 위한 설비가 필요 없습니다.
- 용접할 필요가 없어 안전하며, 현장 맞춤이 간단합니다.
- 지속적인 개선 활동을 추진할 수 있습니다.

품번	품명	규격	두께	비고
MP-1070	로지폼 파이프	28ø	0.7	Ivory,
MP-1100	로지폼 파이프	28ø	1.0	Gray,
MP-1200	로지폼 파이프	28ø	2.0	Green
ESD-1010	도전성 파이프	28ø	1.0	Black
ST-1070	스테인레스 파이프	28ø	0.7	
ST-1110	스테인레스 파이프	28ø	1.1	
SL-1010	슬라이드 파이프	28ø	1.0	
AL-1150	알루미늄 파이프	28ø	1.5	Silver

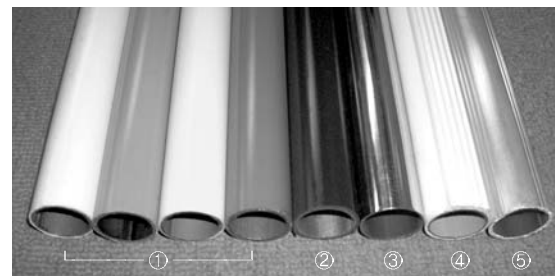
*Color : Ivory(IV), Gray(GR), Green(GN), Black(BK)
Yellow(YL), Blue(BL)
Stainless(ST), Aluminum(AL),

*The Other - In compliance with an order
예) MP-1070GR, MP-1100IV

PIPE & JOINT의 특징

LOGIFORM PIPE

LOGIFORM PIPE는 다양한 재질, 규격, 두께를 제공합니다. 또한, 로지폼은 다양한 색상과 표면을 선택할 수 있으며, 다양한 용도에 적합합니다.



① LOGIFORM PIPE ② ESD PIPE ③ SUS PIPE
④ SLIDE PIPE ⑤ ALUMINUM PIPE



사용상의 주의

용제(溶劑) 및 절삭유가 있는 곳에는 사용을 피하고 '저사 특수 파이프'를 사용하십시오.

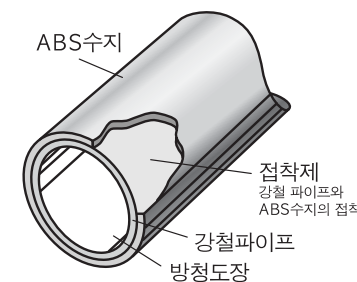
JOINT

로지폼은 다양한 재질, 규격, 두께를 제공합니다. 또한, 로지폼은 다양한 색상과 표면을 선택할 수 있으며, 다양한 용도에 적합합니다.

LOGIFORM PIPE의 규격

구분	로지폼 파이프
재료	강철파이프 (냉간압연강판 SPCC-1, 두께 0.7mm, 1.0mm, 2.0mm) 파복 ABS수지 (두께 약 1mm)
파이프 지름	28mm (28ø), 32mm(32ø)
무게	약 660g/m, 1122g/m
색상	IVORY(표준), GRAY, GREEN, BLACK
파이프 길이	4m (표준) (표준 이외의 길이는 당사 영업부에 문의)

LOGIFORM PIPE의 구조

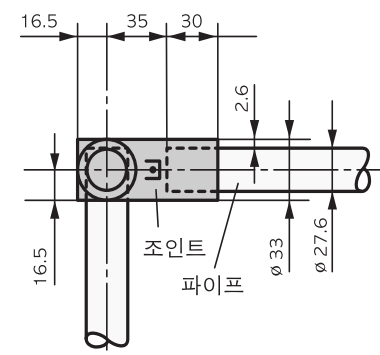


METAL JOINT의 규격

구분	메탈 조인트
재료 Materials	SPCC-1 (2.6t)
무게 Weight	1개당 평균 240g
색상 Colors	BLACK, SILVER, IVORY(분체) ※ 단, 색상에 따라 품종이 한정되어 있습니다

조인트의 구조는 아래 그림과 같은 모양으로 되어 있습니다. 파이프는 조인트에 30mm 들어가도록 되어 있고 그이상 들어가지 않도록 조인트의 안쪽에 표시가 되어 있습니다. (단 일부 조인트는 다른 것도 있습니다)

METAL JOINT의 치수



Profile
Angle
Duct
Profile Accessory
Conveyor Frame
Air Supply System
AL Tube
Technical Data
Pipe rack system

● LOGIFORM의 용도를 폭넓게 사용...
● **순정부품**



Profile
Angle
Duct
Profile Accessory
Conveyor Frame
Air Supply System
AL Tube
Technical Data
Pipe rack system

Ø28 Ø32 METAL JOINT 일람

H-1 (MJ-2101)	H-1B (MJ-2101B)	H-2 (MJ-2102)	H-3 (MJ-2103)
H-4 (MJ-2104)	H-5 (MJ-2105)	H-6 (MJ-2106)	H-7 (MJ-2107)
H-7B (MJ-2107B)	H-8 (MJ-2108)	H-9 (MJ-2109)	H-10 (MJ-2110)
H-11 (MJ-2111)	H-12 (MJ-2112)	H-13 (MJ-2113)	H-14 (MJ-2114)

Ø28, Ø32 METAL JOINT의 취급법

<p>HJ-1</p> <ul style="list-style-type: none"> · H-1: 2개 · 볼트 너트: 1조 	<p>HJ-1B</p> <ul style="list-style-type: none"> · H-1B: 2개 · 볼트 너트: 1조
<p>HJ-2</p> <ul style="list-style-type: none"> · H-2: 2개 · H-3: 1개 · 볼트 너트: 2조 	<p>HJ-3</p> <ul style="list-style-type: none"> · H-2: 2개 · H-4: 1개 · 볼트 너트: 3조
<p>HJ-4</p> <ul style="list-style-type: none"> · H-4: 2개 · 볼트 너트: 2조 	<p>HJ-5</p> <ul style="list-style-type: none"> · H-2: 4개 · 볼트 너트: 4조

Profile

Angle

Duct

Profile Accessory

Conveyor Frame

Air Supply System

AL Tube

Technical Data

Pipe rack system

● LOGIFORM의 용도를 폭넓게 사용...

● **순정부품**



Profile

Angle

Duct

Profile Accessory

Conveyor Frame


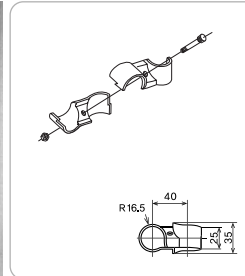
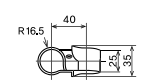

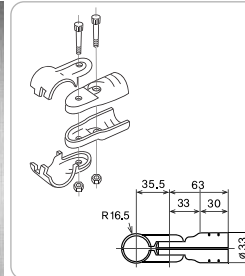
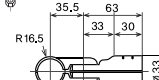

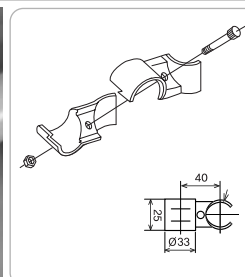
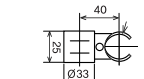

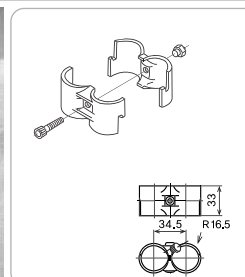
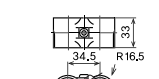

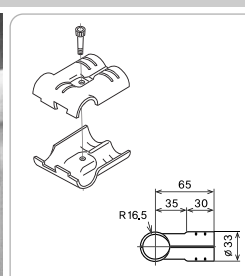
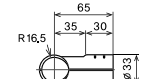

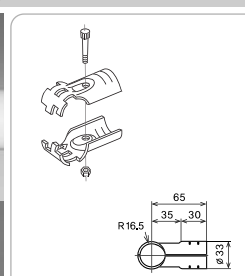
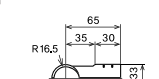
Air Supply System

AL Tube


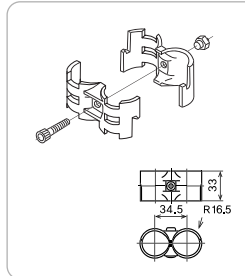
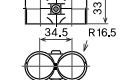

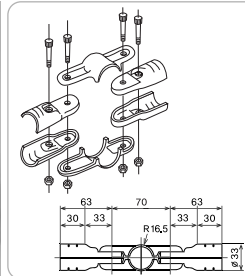
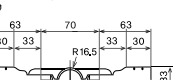

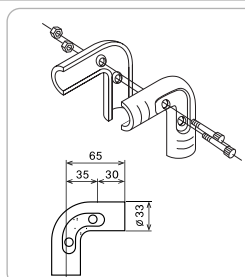
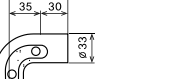

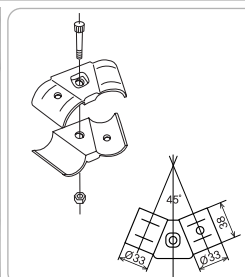

Technical Data

Pipe rack system

Ø28, Ø32 METAL JOINT의 취급법

<p>HJ-6</p> <ul style="list-style-type: none"> · H-7 2개 · 볼트 너트 1조   	<p>HJ-7</p> <ul style="list-style-type: none"> · H-5 2개 · H-6 2개 · 볼트 너트 2조   
<p>HJ-7B</p> <ul style="list-style-type: none"> · H-7B 2개 · 볼트 너트 1조   	<p>HJ-8</p> <ul style="list-style-type: none"> · H-8 2개 · 볼트 너트 1조   
<p>HJ-9</p> <ul style="list-style-type: none"> · H-9 2개 · 볼트 너트 1조   	<p>HJ-10</p> <ul style="list-style-type: none"> · H-10 2개 · 볼트 너트 1조   

단위: H-1, 2, 3과 PJ-1, 2, 3, 4, 5, 6, 7, 8, 9, 10, 11, 12, 13, 14, 15, 16, 17, 18, 19, 20, 21, 22, 23, 24, 25, 26, 27, 28, 29, 30, 31, 32, 33, 34, 35, 36, 37, 38, 39, 40, 41, 42, 43, 44, 45, 46, 47, 48, 49, 50, 51, 52, 53, 54, 55, 56, 57, 58, 59, 60, 61, 62, 63, 64, 65, 66, 67, 68, 69, 70, 71, 72, 73, 74, 75, 76, 77, 78, 79, 80, 81, 82, 83, 84, 85, 86, 87, 88, 89, 90, 91, 92, 93, 94, 95, 96, 97, 98, 99, 100

<p>HJ-11</p> <ul style="list-style-type: none"> · H-11: 2개 · 볼트 너트 1조 · PJ-140A   	<p>HJ-12</p> <ul style="list-style-type: none"> · H-12 2개 · H-6 4개 · 볼트 너트 4조   
<p>HJ-13</p> <ul style="list-style-type: none"> · H-13 2개 · 볼트 너트 2조   	<p>HJ-14</p> <ul style="list-style-type: none"> · H-14 2개 · 볼트 너트 1조   

※Metal joints are coefficient composed with plural parts.
Each joint, a combination of several component is numbered here: HJ-1~ HJ-12, and each component is numbered H-1~ H-12.


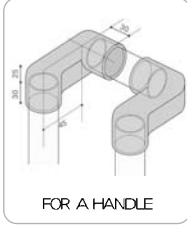

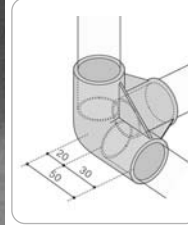

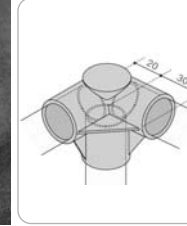

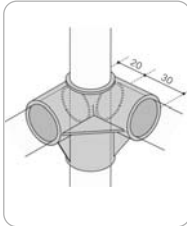
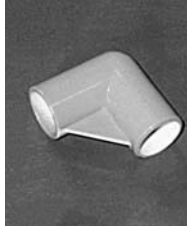
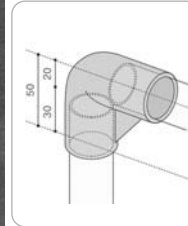



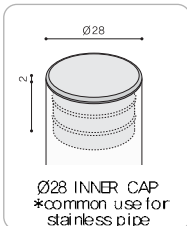

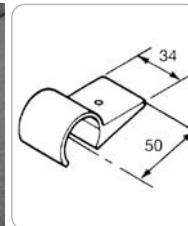
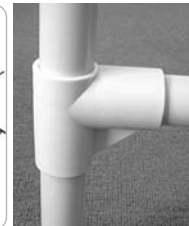
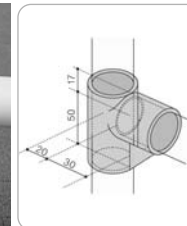
Profile
Angle
Duct
Profile Accessory
Conveyor Frame
Air Supply System
AL Tube
Technical Data
Pipe rack system

● LOGIFORM의 용도를 폭넓게 사용...
● **순정부품**


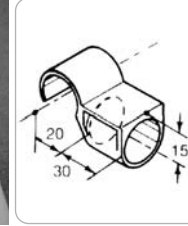

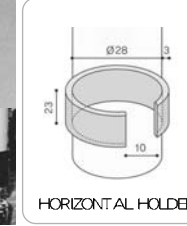

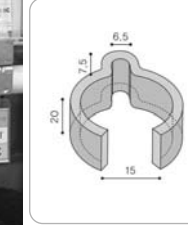
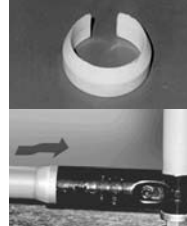
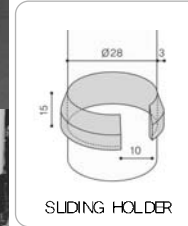

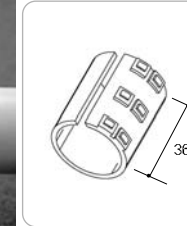
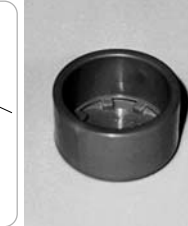
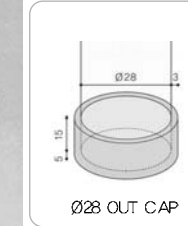

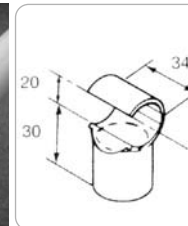

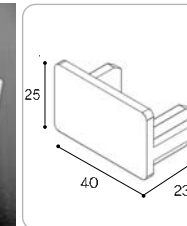
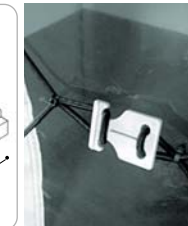
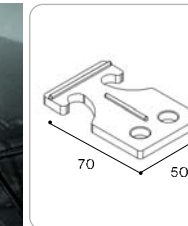


Profile
Angle
Duct
Profile Accessory
Conveyor Frame
Air Supply System
AL Tube
Technical Data
Pipe rack system

PLASTIC JOINT 일람표

PJ-100 R, L (IV)  FOR A HANDLE 	PJ-104 (IV)  	PJ-104C (IV)  
PJ-104D (IV)  	PJ-105 (IV)  	PJ-110 (BK,IV) Materials: PE  Ø28 INNER CAP 
PJ-110A (BK,IV)  Ø28 INNER CAP *common use for stainless pipe 	PJ-113 (IV)  	PJ-118 (IV)  

PLASTIC JOINT 일람표

PJ-123 (IV)  	PJ-138A (IV)  HORIZONTAL HOLDER 	PJ-138B (IV)  
PJ-138C (IV)  SLIDING HOLDER 	PJ-140A (IV)  	PJ-149 (BK,IV)  Ø28 OUT CAP 
PJ-159 (IV)  	PJ-170AL (IV)  	PJ-180 (IV)  



● LOGIFORM의 용도를 폭넓게 사용...
● **순정부품**

Profile
Angle
Duct
Profile Accessory
Conveyor Frame
Air Supply System
AL Tube
Technical Data
Pipe rack system

Profile
Angle
Duct
Profile Accessory
Conveyor Frame
Air Supply System
AL Tube
Technical Data
Pipe rack system

순정부품 일람표

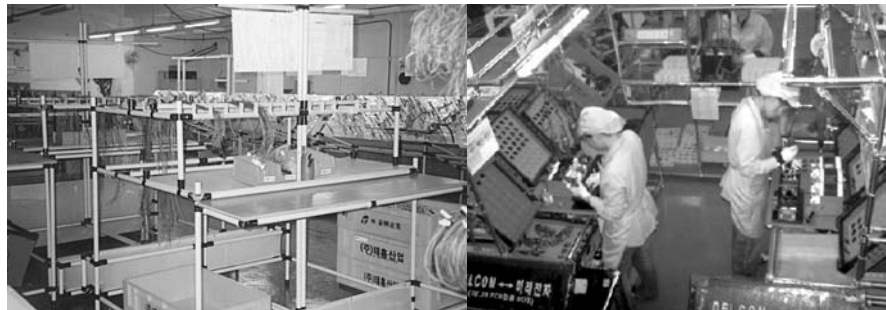
판지 고정금구 A MT-5113	판지 고정금구 B MT-5114	판지 고정금구 C MT-5115
판지 고정코너금구 A MT-5116	판지 고정코너금구 B MT-5117	코너금구 MT-5118
중복캡 MT-5119	파이프결이 MT-5120	경계금구 A MT-5121
경계금구 B MT-5122	파이프연결금구 MT-5123	개스프링지지금구 MT-5124

순정부품 일람표

고무밴드결이금구 MT-5125	로크금구 MT-5126	수직개폐결이금구 MT-5127
수직개폐고리금구 A MT-5128	수직개폐고리금구 B MT-5129	손잡이 고정 금구 MT-5130
공구결이대 MT-5131	메탈아게스타 (대) MT-5132	메탈아게스타 (소) MT-5133
플라스틱 아게스타 MT-5134	플라스틱 부상 MT-5135	부싱너트 (1/2") MT-5136

Profile | Angle | Duct | Profile Accessory | Conveyor Frame | Air Supply System | AL Tube | Technical Data | Pipe rack system

● 목적 및 구상에 맞는 제작방법



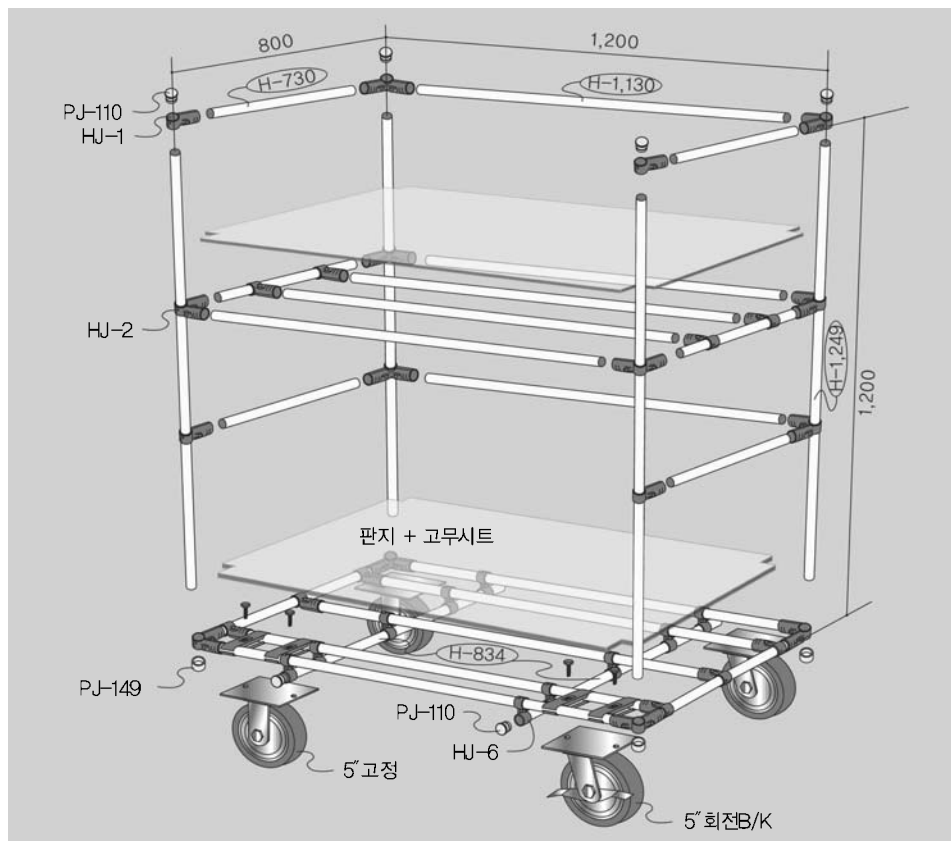
제작의 순서와 체크

PIPE와 JOINT를 사용하여 대차, 적치대, 슬라이딩랙 등을 제작하는 경우, 그 목적 및 구상대로 제작하려면 다음의 순서와 체크가 필요합니다.

- 제작물의 검토(사용 목적, 적재물 현상분석, 사용 환경 등등)
- ▶ 설계 ▶ 시작·확인 ▶ 제작(양산)

적치대차의 제작 예

- 그림은 파이프 길이 및 조인트 구성 요소를 표기하는 구조물 분해도입니다.
- 구조물 치수 (중심치수) : 800(폭)×1200(길이)×1200(높이) (H는 실제파이프 길이임)



● 사용목적에 맞는 안정성을 고려한 강도



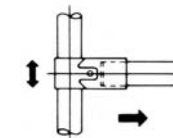
조인트와 파이프의 강도

PIPE & JOINT는 다른 재료(철, 알루미늄, 나무 등)와 같이 파이프와 조인트의 연결법에 의해서 강도가 달라집니다. PIPE & JOINT로 구조물을 제작하는 경우 그 구조물의 사용목적에 맞는 적절한 강도를 얻을 수 있도록 설계하고 안정성을 고려하여야 합니다. 특히 강도를 필요로 하는 구조물은 강도와 안정성을 중시한 구조로 제작할 필요가 있으므로 당사 영업부에 문의해 주십시오.

Ø28 메탈 조인트의 강도

메탈 조인트를 로지폼 파이프에 연결하여 수직 및 수평에 인장하중을 가한 경우의 최대 하중은 80kg

HJ-1 ~ HJ-10

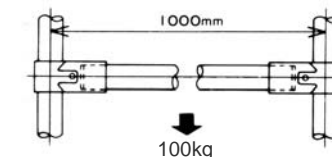


■ 시험조건

- 인장속도 : 5mm/분
- 온도 : 상온

메탈 조인트에 로지폼 파이프를 조립하여 간격을 1,000mm로 한 경우의 비례한계하중

HJ-1 ~ HJ-10



■ 시험조건

- 하중방법 : 중앙집중하중
- 하중속도 : 1kg/분
- 온도 : 상온

※ 비례한계하중은 하중을 없애면 원래의 형상으로 되돌아갈 수 있는 최대하중입니다.



실사용의 온도 범위

PIPE & JOINT에 사용하고 있는 ABS 수지의 실사용 온도는 -10~80℃로 되어 있어 그 범위를 넘는 곳이나 화기 옆에서의 사용은 피해 주십시오.

Profile | Angle | Duct | Profile Accessory | Conveyor Frame | Air Supply System | AL Tube | Technical Data | Pipe rack system

Profile
Angle
Duct
Profile Accessory
Conveyor Frame
Air Supply System
AL Tube
Technical Data
Pipe rack system

● LOGIFORM의
● 기타시스템



매트 콘베어 시리즈

매트 콘베어 - 싱글

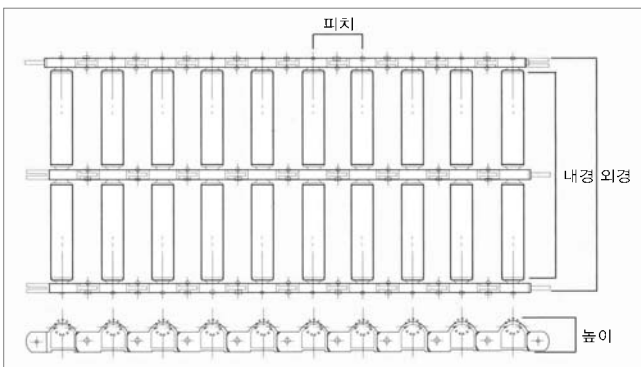


매트 콘베어 - 더블



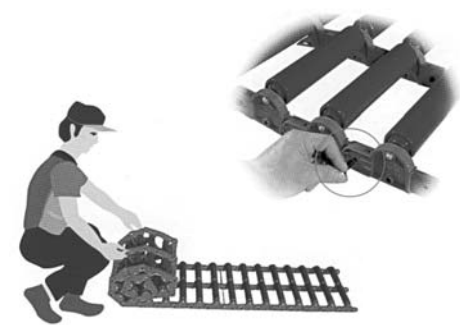
매트 콘베어의 사양

품 번	하중 (kg/M)	폭 (mm)		높이 (mm)	피치 (mm)	무게 (kg/M)
		내경	외경			
MC-8001	200	455	497	75	105	5.4
MC-8002	400	455	497	75	105	6.8



· 매트 콘베어 시리즈는 견고한 ABS 엔지니어링 수지로 만들어졌습니다.

· 매트 콘베어 시리즈는 철재 콘베어 보다 아주 가벼우며, 별도의 장비가 없이도 긴급한 운반이나 임시 운반에 아주 이상적입니다.



· 매트 콘베어 시리즈는 휴대하기 좋으며 쉽게 어떠한 장소에서도 연결 및 분리할 수 있습니다.

· 매트 콘베어 시리즈는 고가의 대지를 아끼고 비용을 절약 합니다.

· 매트 콘베어 시리즈는 당신이 원하는대로 만들 수 있습니다. 폭과 길이를 마음대로 조절할 수 있습니다.

● LOGIFORM의
● 구조물들



자동차산업 적용예



인판넬운반대차



콘솔외주대차



콘솔개폐식서열대차



헤드라이닝서열대차



휠도장물적치대



휠서열대차



DUCT서열대차



EVA운반대차



LINE용RACK

Profile
Angle
Duct
Profile Accessory
Conveyor Frame
Air Supply System
AL Tube
Technical Data
Pipe rack system

Profile
Angle
Duct
Profile Accessory
Conveyor Frame
Air Supply System
AL Tube
Technical Data
Pipe rack system

Profile
Angle
Duct
Profile Accessory
Conveyor Frame
Air Supply System
AL Tube
Technical Data
Pipe rack system



LINE RACK



도어트림파킹대차



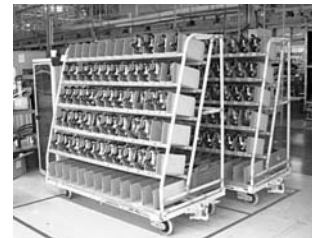
도어록서열대차



도장용적치대



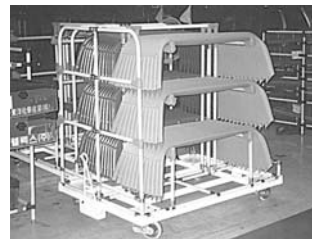
양면서열대차



에어박스서열대차



트렁크도장용적치대



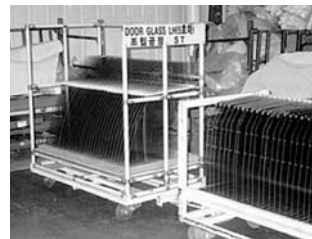
필라 서열대차



하네스작업대



BACK DOOR 도장물적치대



DOOR GLASS 서열대차



DOOR TRIM 서열대차



REAR LAMP 서열대차



1단RACK



단면서열대차

LOGIFORM의 구조물들

전자산업 적용예



다단적재대차



단말기검사원형작업대



단말기조립작업대



자재보관적치대



작업대



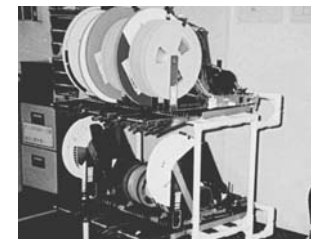
하네스작업대



수지 가이드대차



DECK 운반대차



피더 적재대차

Profile
Angle
Duct
Profile Accessory
Conveyor Frame
Air Supply System
AL Tube
Technical Data
Pipe rack system

Profile
Angle
Duct
Profile Accessory
Conveyor Frame
Air Supply System
AL Tube
Technical Data
Pipe rack system



TOP COVER 대차



LCD 패널대차



PCB 운반대차



MP 단말기작업대



SMD 자재보관대



PCB 적치대



사람식대차



수직개폐대차



SMD 자재보관 적치대



A-ZING 대차



BASE 운반대차



이물 걸방지용대차



자재보관 RACK



인식 표시 콘트롤



DVD COVER 운반대차

LOGIFORM의 구조물들

기타 산업 적용에



테이블



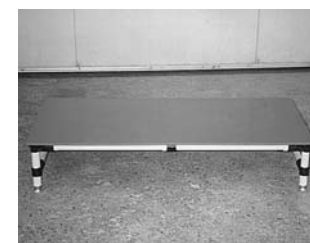
청소 도구걸이대



사람식 테이블



SUS 제작대차



발침대



화분 테이블

Profile

Angle

Duct

Profile
Accessory

Conveyor
Frame

Air Supply
System

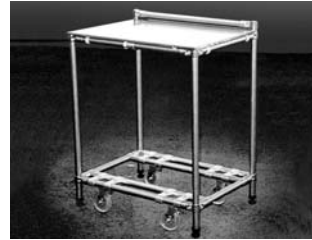
AL Tube

Technical
Data

Pipe rack
system



쓰레기통 테이블



SUS 대차



하체발판



농업용대차



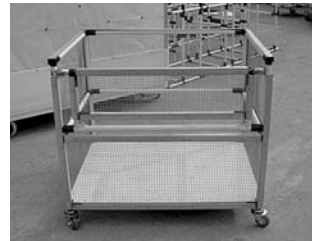
회전 게시판



게시판



컨막이



접이식대차



작업대차



자재창고



자재창고



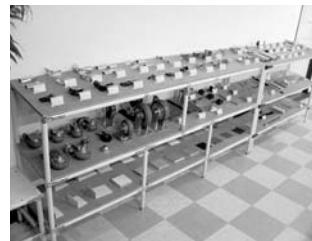
자재창고 RACK



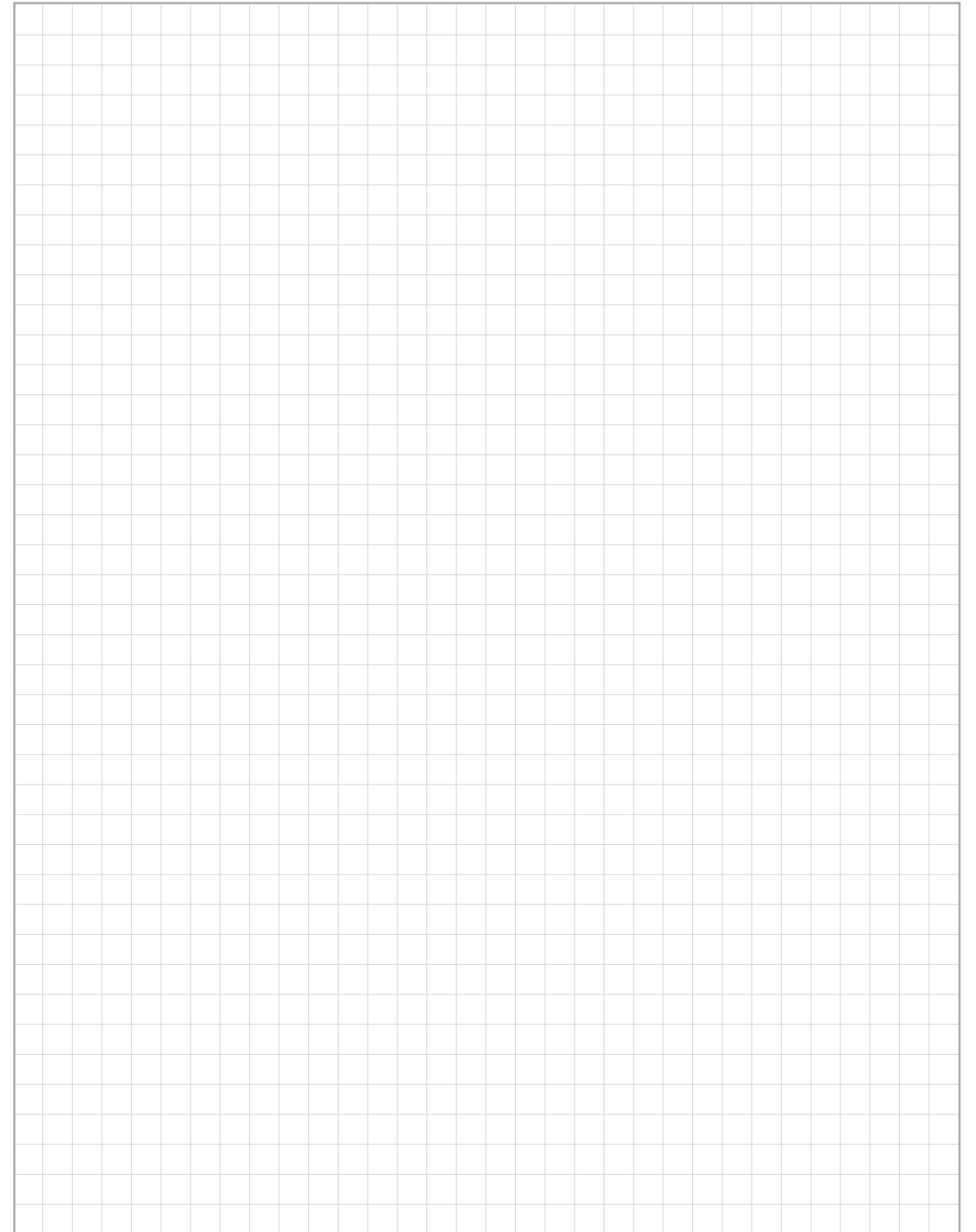
접이식유동대차



계란유동대차



전시대



MEMO

A large rectangular area filled with a light gray grid pattern, intended for writing a memo. The grid consists of small squares and covers most of the page's width and height.